



Brand: BendPak

Model(s): XPR-12CL / XPR-12CL-192

Description: 12,000-lb. Capacity Two-Post Lifts / Clearfloor

The Perfect Addition to your Shop

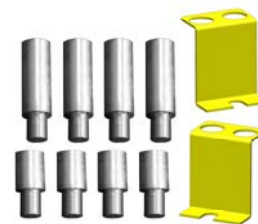
Our XPR-12CL (and extended height model XPR-12-192) are durable, safe and reliable two-post lifts that are well-suited for virtually every lifting application. These powerful and secure heavy-duty lifts are incredibly rapid with a robust menu of features to increase efficiency and productivity without overwhelming you with serviceable parts and necessary maintenance. The results are lower operating expenses and higher productivity. XPR-12CL models are the perfect addition to your shop— especially when you work with heavier vehicles that require larger lifting capacities.

Just because these models were designed for larger vehicles does not mean they can't handle medium and light-duty work as well. They're rugged enough to handle large trucks and commercial vehicles and triple-telescoping front and rear arms provide specific capability for standard passenger cars and light trucks as well. If your business caters to super-tall vehicles such as Sprinter™ vans or specialty vehicles, be sure to check out the XPR-12CL-192 that features column extensions that provide two-feet of added overhead clearance.



Features

- 12,000-lb lifting capacity
- Padded overhead safety shutoff bar
- Taller column height provides greater overhead clearance
- Single-piece columns / model XPR-12CL
- Bolt-on column extensions / model XPR-12CL-192
- Single-point safety release
- Drop-end arms provide a lower pad height
- Dual hydraulic direct-drive cylinders
- Oversized 53" tall carriage for superior strength and durability
- Electric / hydraulic power system
- Oversized A36 steel base plate
- Self-lubricating dura-glide UHMW polyethylene bearing system
- Safety locks in each column spaced every 3"
- Triple-telescoping front and rear arms
- Automatic arm restraints
- Heavy-duty 1/2" aircraft-quality equalizer cables
- 6" diameter machined steel cable sheaves reduces cable fatigue
- 8-piece truck and van adapter set STANDARD
- Frame cradle pads STANDARD
- Round rubber contact pads STANDARD
- ALI certified



8 Piece Adapter Set / Included Standard

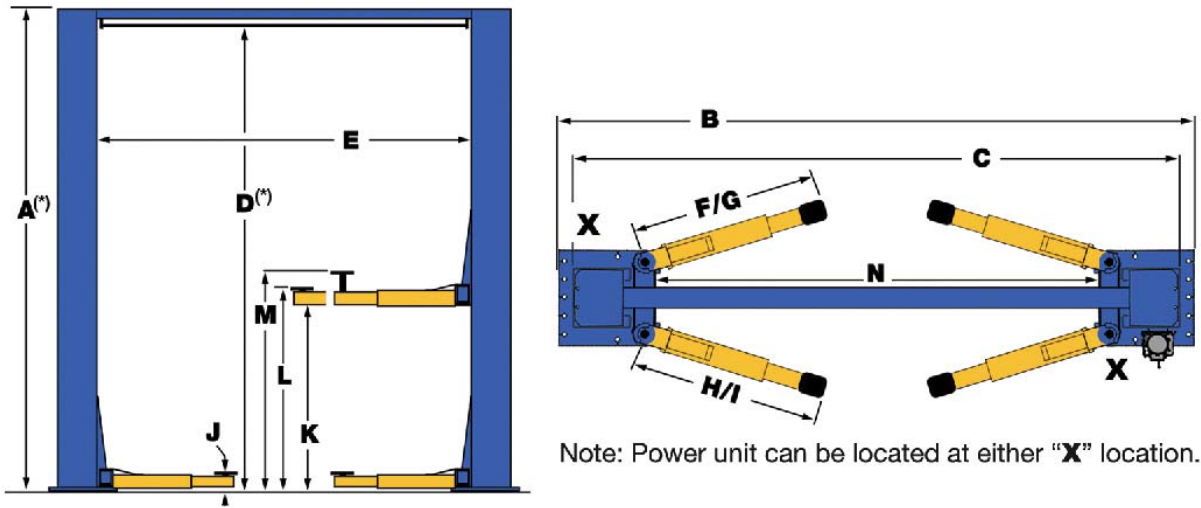


Rubber Contact Pads / Included Standard



Frame Cradle Pads / Included Standard

SPECIFICATIONS / FLOOR PLAN



MODEL	XPR-12CL	XPR-12CL-192
Lifting Capacity*	12,000 Lbs. / 5443 Kg.	12,000 Lbs. / 5443 Kg.
*Max Capacity / Front Axle	6,000 lbs. / 2722 Kg.	6,000 lbs. / 2722 Kg.
*Max Capacity / Rear Axle	6,000 lbs. / 2722 Kg.	6,000 lbs. / 2722 Kg.
A - Height Overall:	170" / 4318 mm.	192.7" / 4895 mm.
B - Width Overall (Outside of Base Plate):	155" / 3937 mm.	155" / 3937 mm.
C - Width (Outside of Columns):	144" / 3658 mm.	144" / 3658 mm.
D - Floor To Overhead Switch:	165" / 4191 mm.	187.7" / 4768 mm.
E - Inside Columns:	120" / 3048 mm.	120" / 3048 mm.
F - Reach (Front Arm Min.):	32" / 813 mm.	32" / 813 mm.
G - Reach (Front Arm Max.):	60" / 1524 mm.	60" / 1524 mm.
H - Reach (Rear Arm Min.):	32" / 813 mm.	32" / 813 mm.
I - Reach (Rear Arm Max.):	60" / 1524 mm.	60" / 1524 mm.
J - Min. Pad Height:	5" / 127 mm.	5" / 127 mm.
K - Rise:	69" / 1753 mm.	69" / 1753 mm.
L - Max Lift Height (Pad Only):	74" / 1880 mm.	74" / 1880 mm.
M - Max Lift Height (6" Adapter):	80" / 2032 mm.	80" / 2032 mm.
N - Drive-Thru Clearance:	106" / 2692 mm.	106" / 2692 mm.
Motor (**)	220 VAC / 60 Hz. 1Ph.	220 VAC / 60 Hz. 1Ph.
Time of full Rise:	45 Seconds	45 Seconds
Max Load Per Arm:	3,000 Lbs. / 1361 Kg.	3,000 Lbs. / 1361 Kg.

** Special Voltages Available Upon Request.

The design, material and specifications are subject to change without notice.