



PLEASE READ THE ENTIRE CONTENTS OF THIS MANUAL PRIOR TO INSTALLATION AND OPERATION. BY PROCEEDING YOU AGREE THAT YOU FULLY UNDERSTAND AND COMPREHEND THE FULL CONTENTS OF THIS MANUAL. FORWARD THIS MANUAL TO ALL OPERATORS. FAILURE TO OPERATE THIS EQUIPMENT AS DIRECTED MAY CAUSE INJURY OR DEATH.

REV A 05-22-09

INSTALLATION AND OPERATION MANUAL

20 Ton Heavy Duty Hydraulic Shop Press

Model:
RP-20HD
VER B



SHIPPING DAMAGE CLAIMS

When this equipment is shipped, title passes to the purchaser upon receipt from the carrier. Consequently, claims for the material damaged in shipment must be made by the purchaser against the transportation company at the time shipment is received.

BE SAFE

Ranger™ Shop Presses are designed and built with safety in mind. However, proper training and thoughtful operation on the part of the operator can increase your overall safety. DO NOT operate or repair this equipment without reading this manual and the important safety instructions shown inside.



1645 Lemonwood Dr.
Santa Paula, CA. 93060, USA
Tel: 1-805-933-9970
Toll Free: 1-800-253-2363
Fax: 1-805-933-9160
www.rangerproducts.com

WARRANTY POLICY

Ranger Products™ are backed by over 35 years of manufacturing experience. Every Shop Press bearing the Ranger™ name is sold with the following warranty.

- ◆ Each Ranger Product™ is warranted to be free from defects in workmanship and material for a period of one year from the date of shipment provided that a written claim for such defect is made within that time.
- ◆ This warranty does not cover damage or defects caused by carelessness of the operator, misuse, abuse or abnormal use which in any way impairs the proper functioning of the equipment or by the use or addition of parts not manufactured by Ranger Products™ or its suppliers.

THIS WARRANTY IS EXPRESSLY MADE IN LIEU OF ANY AND ALL OTHER WARRANTIES EXPRESSED OR IMPLIED INCLUDING THE WARRANTIES OF MERCHANTABILITY AND FITNESS FOR A PARTICULAR PURPOSE.

If your Ranger Products™ machine is not functioning properly, call your Ranger Products™ dealer immediately. On some occasions, an independent contractor may be hired to do the repairs. Within the warranty period, a customer should not hire his own contractor unless it is authorized in writing by Ranger Products™.

If it is necessary to return equipment for repairs, your dealer will so advise you. When returning equipment for repairs, see that machines are properly crated and protected, and prepay transportation.

Defective parts replaced at no charge must be returned to your dealer or Ranger Products™ within 60 days of the date that the replacement parts are shipped; otherwise, you must pay for the replacement parts at the current selling price.

SHIPPING DAMAGE

If any damage is found, notify your carrier immediately and save all packaging materials for the carrier's inspector to examine. Failure to promptly report damage could result in denial of your claim.

A trucking company's procedure for handling damage is as follows:

1. Immediately send out an inspector. An inspection report is filled out on the spot, a copy of which is given to the customer.
2. The **customer** has to call the carrier to request a claim form.
3. The customer mails in the claim form.
4. The claim usually takes two (2) months to process.

If a unit is seriously damaged, your Ranger Products dealer may be able to intervene, requesting that the damaged unit be returned and a new unit delivered.



IMPORTANT SAFETY TIPS

**ALWAYS MAINTAIN A CLEAN WORK AREA.
KEEP VISITORS AND ESPECIALLY
CHILDREN AWAY FROM WORK AREA.**

**THIS SHOP PRESS IS TO BE OPERATED BY
PROPERLY TRAINED PERSONNEL ONLY.
OPERATION BY UNTRAINED
PERSONNEL MAY RESULT IN INJURY
AND /OR PROPERTY DAMAGE.**

For Parts Or Service Contact:

**BendPak Inc. / Ranger Products
1645 Lemonwood Dr.
Santa Paula, CA. 93060
Tel: 1-805-933-9970
Toll Free: 1-800-253-2363
Fax: 1-805-933-9160
www.bendpak.com
www.rangerproducts.com**



THIS OPERATING MANUAL CONTAINS IMPORTANT DETAILS CONCERNING THE SAFE OPERATION OF THIS EQUIPMENT. THE USER MUST READ AND UNDERSTAND THESE DETAILS BEFORE ANY USE OF THE EQUIPMENT. THIS MANUAL MUST BE RETAINED FOR FUTURE REFERENCE.

OWNER/OPERATOR RESPONSIBILITY:

The owner and/or operator shall study the product instructions and retain them for future reference.

The owner and/or operator shall have an understanding of the product operating instructions and warnings before operating the equipment.

Warning information shall be emphasized and understood. If the operator is not fluent in English, the product instructions and warnings shall be read to and discussed with the operator in the operator's native language by the purchaser/ owner or his designee, making sure that the operator comprehends its contents.



INSPECTION

Visual inspection should be made before each use of the equipment. This inspection should check for abnormal conditions such as cracked welds, leaks, and damaged, loose or missing parts.

Any product that appears to be damaged in any way, is found to be worn or operated abnormally, must be removed from service immediately.

Any product that operates abnormally shall be removed from service until repaired by a qualified repair service center.

If the product is accidentally subjected to an abnormal load or shock, it must be taken out of service immediately and be inspected by a qualified repair or service center.

It is recommended that an annual inspection is performed on the equipment and that any damaged or worn parts, decals or warning labels be replaced with manufacturer's specified parts.



ALTERATIONS

Because of potential hazards associated with this type of equipment, no alterations shall be made to the product.



WARNING!

THIS IS A PRESSING DEVICE ONLY. DO NOT EXCEED RATED CAPACITY.

OVERLOADING CAN CAUSE DAMAGE TO OR FAILURE OF THE SHOP PRESS.

KEEP HANDS AND BODY CLEAR OF ALL PINCH POINTS.

NO ALTERATIONS TO THE PRESS SHALL BE MADE.

READ, STUDY AND UNDERSTAND THE OPERATING MANUAL PACKED WITH THIS LIFT BEFORE OPERATING.

ALWAYS WEAR APPROVED EYE PROTECTION DURING OPERATION.

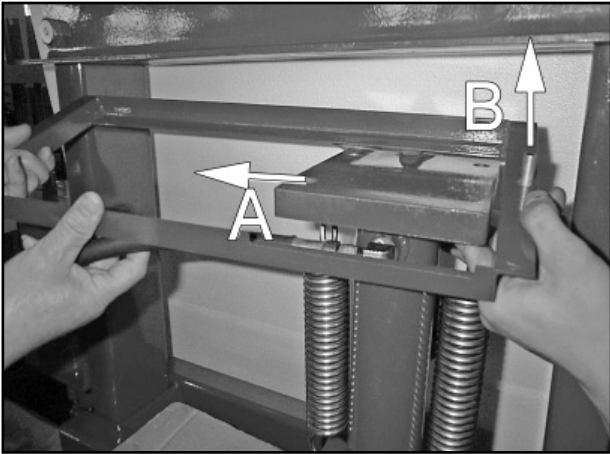
FAILURE TO HEED THESE WARNINGS MAY RESULT IN LOSS OF LOAD, DAMAGE TO THE PRESS , AND/ OR FAILURE RESULTING IN PROPERTY DAMAGE, PERSONAL OR FATAL INJURY.

ASSEMBLY INSTRUCTIONS

RP-20HD

Refer to the Parts Breakdown on Page 5.

1. Attach legs (2) to the bottom of the Posts (6) while also attaching the Leg Center (1) between the two frame posts. Secure the three steel items with bolts (3) and Hex Nuts (5), and Flat Washers (4).
2. Place the Table (8) between the frame posts by sliding it down from the top) and secure it with the Support Pins (7). Align the base straight.
3. Attach the Top Beam (9) to the top of the frame posts using Hex Bolts (10), Spring Washers (12) and Hex Nuts (11). Ensure the Hydraulic Jack Centering Ring is facing downwards.
4. Attach the Ram Frame (21) to the underside of the Top Beam (9) sliding the top of the Ram Assembly (25) into the bracket before tightening down the bolts, nut and lock washers. See Figure 1.



5. Attach the Pump Assembly (16) to the side of the right side Post using the supplied bolts, nuts and lock washers. (See Figure 2)



6. Place the Press Plates (8) on the Table if desired.
7. Your 20 ton shop press, model RP-20HD is now ready for operation.

OPERATING INSTRUCTIONS



DANGER!

If you detect any structural failure, stop using the press immediately and get a qualified technician to inspect it.



CAUTION!

Keep hands, fingers or feet and all parts of the body away from any moving parts.

1. Position the Press Table to the desired height by adjusting the Support Rods.
2. Place the two Steel Plates on the Press Platform.
3. Using the Jack Handle close the release valve of the jack, by turning it clockwise.
4. Place the Jack Handle in the Jack Handle Socket and pump the jack, pushing the Jack Plate down.
5. When finished loosen the Jack Release Valve using the Jack Handle and turning it counter clockwise.

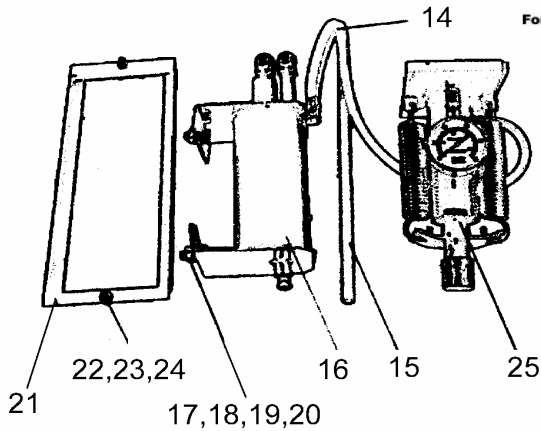
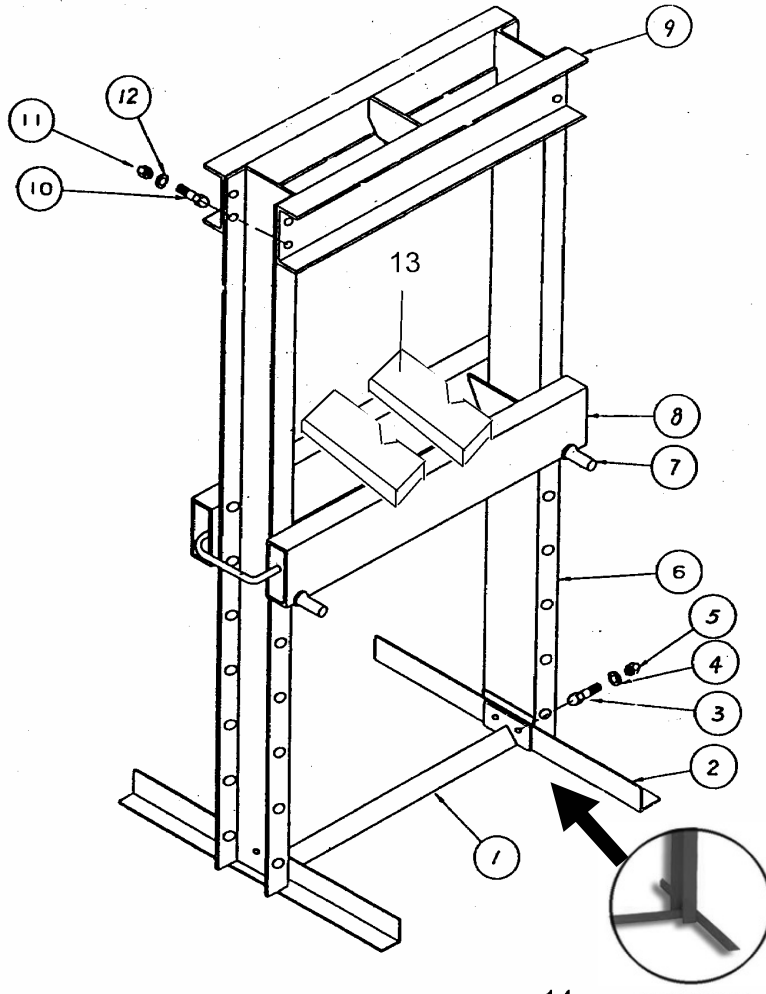
MAINTENANCE

1. Keep the press clean and free of debris and dirt.
2. All exposed machine surfaces of the press should be brushed clean and wiped with WD-40 or equivalent.

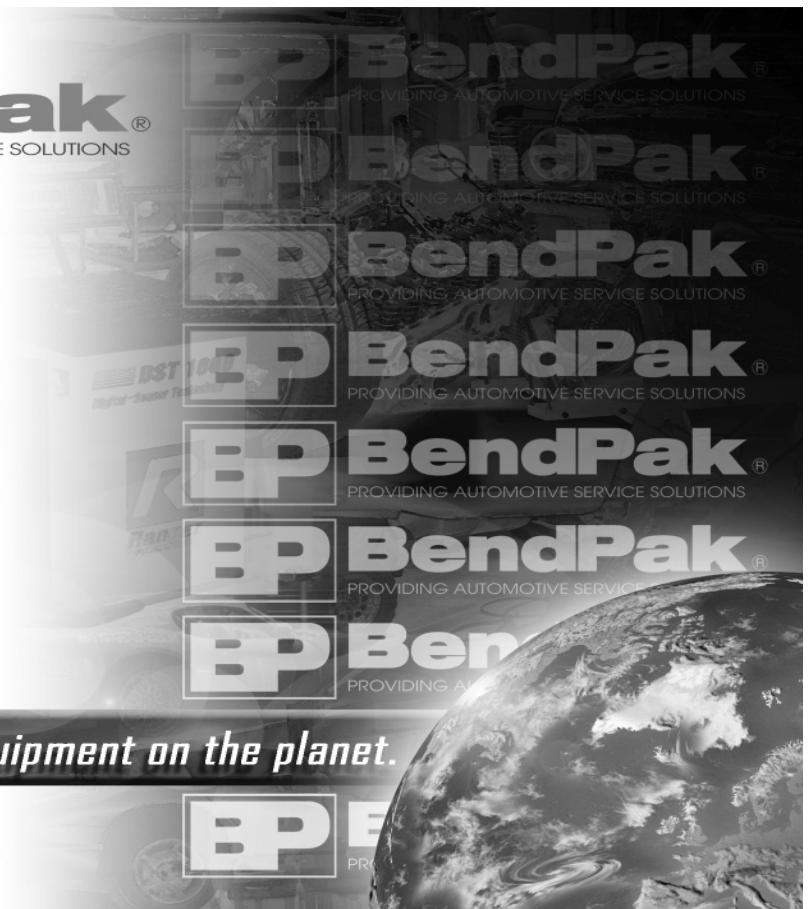
SPECIFICATIONS

MODEL #	CAPACITY	OVERALL HEIGHT	OVERALL WIDTH	Base Dimension	Adjustable Table Height	CYLINDER STROKE	SHIPPING WEIGHT
RP-20HD	40,000 Lbs 18,144 Kg	63 1/4" 1,530 mm	37" 940 mm	27.5" x 26" 692mm x 660mm	7.5" - 36.25" 190mm x 921mm	5 1/2" 140 mm	255 Lbs 116 Kg

PARTS BREAKDOWN



NO	Description (20ton)	Description (30ton)	Qty
1	Leg Center	Leg Center	1
2	Leg	Leg	2
3	Bolt M12x30	Bolt M12x30	4
4	Washer 12	Washer 12	4
5	Nut M12	Nut M12	4
6	Upright	Upright	2
7	Pin	Pin	2
8	Table	Table	1
9	Top Beam Frame	Top Beam Frame	1
10	Bolt M20x35	Bolt M20x35	8
11	Nut M20	Nut M20	8
12	Washer 20	Washer 20	8
13	Press Plate	Press Plate	2
14	Hose Assembly	Hose Assembly	1
15	Handle	Handle	1
16	Pump Assembly	Pump Assembly	1
17	Bolt M16x30	Bolt M16x35	2
18	Washer 16	Washer 16	2
19	Spring Washer16	Spring Washer16	2
20	Nut M16	Nut M16	2
21	Frame for Ram	Frame for Ram	1
22	Bolt M10x25	Bolt M10x30	20t / 2 30t / 4
23	Washer 10	Washer 10	20t / 2 30t / 4
24	Nut M10	Nut M10	20t / 2 30t / 4
25	Ram Assembly	Ram Assembly	1



The best automotive service equipment on the planet.

**For Parts Or Service
Contact:**

**BendPak Inc. / Ranger Products
1645 Lemonwood Dr.
Santa Paula, CA. 93060**

**Tel: 1-805-933-9970
Toll Free: 1-800-253-2363
Fax: 1-805-933-9160**

**www.bendpak.com
www.rangerproducts.com**

