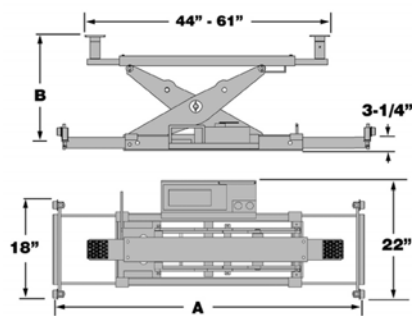


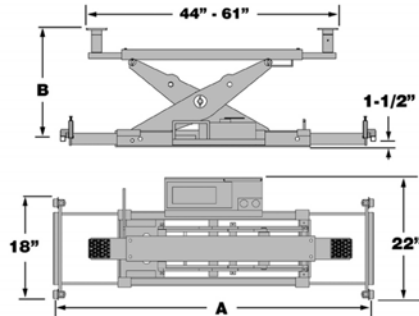


Brand: BendPak
 Model: RJ-45 / RJ-6 / RJ-9
 Description: Rolling Bridge Jacks

These optional rolling bridge jacks offer the ultimate in jacking speed and convenience. Their exclusive telescoping roller design allows the runways to be adjusted for different tread widths. Precision rollers enable you to position them anywhere under the vehicle. Perfect for wheel and suspension work. Each jack comes complete with stackable pad adapters.



RJ-45 / RJ-6



RJ-9

MODEL	RJ-45	RJ-6	RJ-9
Lifting Capacity:	4,500 lbs. / 2041 Kg.	6,000 lbs. / 2722 Kg.	9,000 lbs. / 4082 Kg.
A - Min. Width	35" / 889 mm.	35" / 889 mm.	41" / 1041 mm.
A - Max. Width	45-1/2" / 1156 mm.	45-1/2" / 1156 mm.	51-1/2" / 1308 mm.
B - Min. Pad & Adapter:	8" / 203 mm.	10" / 254 mm.	13-1/4" / 337 mm.
B - Min. Pad Only:	4-1/2" / 114 mm.	6-1/2" / 102 mm.	9-3/4" / 248 mm.
B - Max. Pad & Adapter:	18" / 457 mm.	20" / 508 mm.	23-1/4" / 591 mm.
B - Max. Pad Only:	14-1/2" / 368 mm.	16-1/2" / 419 mm.	19-3/4" / 502 mm.
Min. Arm Reach:	40-1/4" / 1022 mm.	40-1/4" / 1022 mm.	40-1/4" / 1022 mm.
Max. Arm Reach:	63-1/4" / 1607 mm.	63-1/4" / 1607 mm.	63-1/4" / 1607 mm.

The design, material and specifications are subject to change without notice.