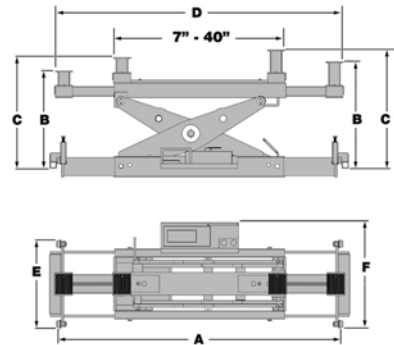




Brand: BendPak  
 Model: RJ-18 / RJ-25  
 Description: Rolling Bridge Jacks

These optional heavy-duty rolling bridge jacks offer the ultimate in jacking speed and convenience. Their exclusive telescoping roller design allows the runways to be adjusted for different tread widths. Precision rollers enable you to position them anywhere under the vehicle. Perfect for wheel and suspension work. Each jack comes complete with stackable pad adapters.



MODEL	RJ-18	RJ-25
Lifting Capacity:	18,000 lbs. / 8,165 Kg.	25,000 lbs. / 11,340 Kg.
A - Min. Width	46" / 1168 mm.	46" / 1168 mm.
A - Max. Width	60" / 1524 mm.	60" / 1524 mm.
B - Min. Short Pad:	15-1/2" / 394 mm.	15-1/2" / 394 mm.
B - Max. Short Pad:	24-1/2" / 622 mm.	24-1/2" / 622 mm.
B - Min. Tall Pad:	18-1/2" / 470 mm.	18-1/2" / 470 mm.
B - Max. Tall Pad:	27-1/2" / 698 mm.	27-1/2" / 698 mm.
C - Min. Short Pad:	19" / 483 mm.	19" / 483 mm.
C - Max. Short Pad:	28" / 711 mm.	28" / 711 mm.
C - Min. Tall Pad:	22" / 559 mm.	22" / 559 mm.
C - Max. Tall Pad:	31" / 787 mm.	31" / 787 mm.
D - Min. Arm Reach:	48" / 1219 mm.	48" / 1219 mm.
D - Max. Arm Reach:	64" / 1626 mm.	64" / 1626 mm.
E - Wheel Assembly Width:	23-1/4" / 591 mm.	23-1/4" / 591 mm.
F - Overall Width:	26" / 660 mm.	26" / 660 mm.

The design, material and specifications are subject to change without notice.