



PLEASE READ THE ENTIRE CONTENTS OF THIS MANUAL PRIOR TO INSTALLATION AND OPERATION. BY PROCEEDING YOU AGREE THAT YOU FULLY UNDERSTAND AND COMPREHEND THE FULL CONTENTS OF THIS MANUAL. FORWARD THIS MANUAL TO ALL OPERATORS. FAILURE TO OPERATE THIS EQUIPMENT AS DIRECTED MAY CAUSE INJURY OR DEATH.

REV A 09-20-09

ASSEMBLY AND OPERATION MANUAL

SMALL MATERIAL BENDER

MODEL: RB-1ST



READ FIRST



Do not operate this machine until you read and understand all the dangers, warnings and cautions in this manual.

Keep this operation manual near the machine at all times. Make sure that ALL USERS read this manual.

SHIPPING DAMAGE CLAIMS

When this equipment is shipped, title passes to the purchaser upon receipt from the carrier. Consequently, claims for the material damaged in shipment must be made by the purchaser against the transportation company at the time shipment is received.

BE SAFE

Your new Small Material Bender was designed and built with safety in mind. However, your overall safety can be increased by proper training and thoughtful operation on the part of the operator.

DO NOT operate or repair this equipment without reading this manual and the important safety instructions shown inside.



1645 Lemonwood Dr.
Santa Paula, CA. 93060, USA
Toll Free 1-800-253-2363
Tel: 1-805-933-9970
Fax: 1-805-933-9160
www.rangerproducts.com

RB-1ST SMALL MATERIAL BENDER

WARRANTY POLICY

Ranger Products™ are backed by over 35 years of manufacturing experience. Every Small Material Bender bearing the Ranger™ name is sold with the following warranty.

- Each Ranger Product™ is warranted to be free from defects in workmanship and material for a period of one year from the date of shipment provided that a written claim for such defect is made within that time.
- This warranty does not cover damage or defects caused by carelessness of the operator, misuse, abuse or abnormal use which in any way impairs the proper functioning of the equipment or by the use or addition of parts not manufactured by Ranger Products™ or its suppliers.

THIS WARRANTY IS EXPRESSLY MADE IN LIEU OF ANY AND ALL OTHER WARRANTIES EXPRESSED OR IMPLIED INCLUDING THE WARRANTIES OF MERCHANTABILITY AND FITNESS OR A PARTICULAR PURPOSE.

If your Ranger Products™ machine is not functioning properly, call your Ranger Products™ dealer immediately. On some occasions, an independent contractor may be hired to do the repairs. Within the warranty period, a customer should not hire his own contractor unless it is authorized in writing by Ranger Products™.

If it is necessary to return equipment for repairs, your dealer will so advise you. When returning equipment for repairs, see that machines are properly crated and protected, and prepay transportation.

Defective parts replaced at no charge must be returned to your dealer or Ranger Products™ within 60 days of the date that the replacement parts are shipped; otherwise, you must pay for the replacement parts at the current selling price.

OPERATOR PROTECTIVE EQUIPMENT

Personal protective equipment helps keep equipment use safer. However, equipment does not take the place of safe operating practices. Always wear durable work clothing. Shop aprons or shop coats may also be worn, however loose fitting clothing should be avoided. Tight fitting leather gloves are recommended to protect operators. Sturdy leather work shoes with steel toes and oil resistant soles should be used by personnel to help prevent injury in typical shop activities.

Eye protection is essential during installation and operation. Safety glasses with side shields, goggles, or face shields are acceptable. Back belts provide support during lifting activities and are also helpful in providing operator protection. Consideration should also be given to the use of hearing protection if activity is performed in an enclosed area, or if noise levels are high.



OWNER'S RESPONSIBILITY

To maintain machine and user safety, the responsibility of the owner is to read and follow these instructions:

- ◆ Follow all installation instructions.
- ◆ Make sure installation conforms to all applicable Local, State, and Federal Codes, Rules, and Regulations; such as State and Federal OSHA Regulations and Electrical Codes.
- ◆ Carefully check the unit for correct initial function.
- ◆ Read and follow the safety instructions. Keep them readily available for machine operators.
- ◆ Make certain all operators are properly trained, know how to safely and correctly operate the unit, and are properly supervised.
- ◆ Allow unit operation only with all parts in place and operating safely.
- ◆ Carefully inspect the unit on a regular basis and perform all maintenance as required.
- ◆ Service and maintain the unit only with authorized or approved replacement parts.
- ◆ Keep all instructions permanently with the unit and all decal's on the unit clean and visible.

IMPORTANT SAFETY INSTRUCTIONS

INSPECTION

MAKE SURE TO READ AND UNDERSTAND ALL INSTRUCTIONS AND SAFETY PRECAUTIONS AS OUTLINED IN THE MANUFACTURER'S SERVICE MANUAL PRIOR TO USING THIS EQUIPMENT.

FAILURE TO FOLLOW THESE INSTRUCTIONS CAN RESULT IN BODILY HARM TO OPERATOR AND/OR BY-STANDERS

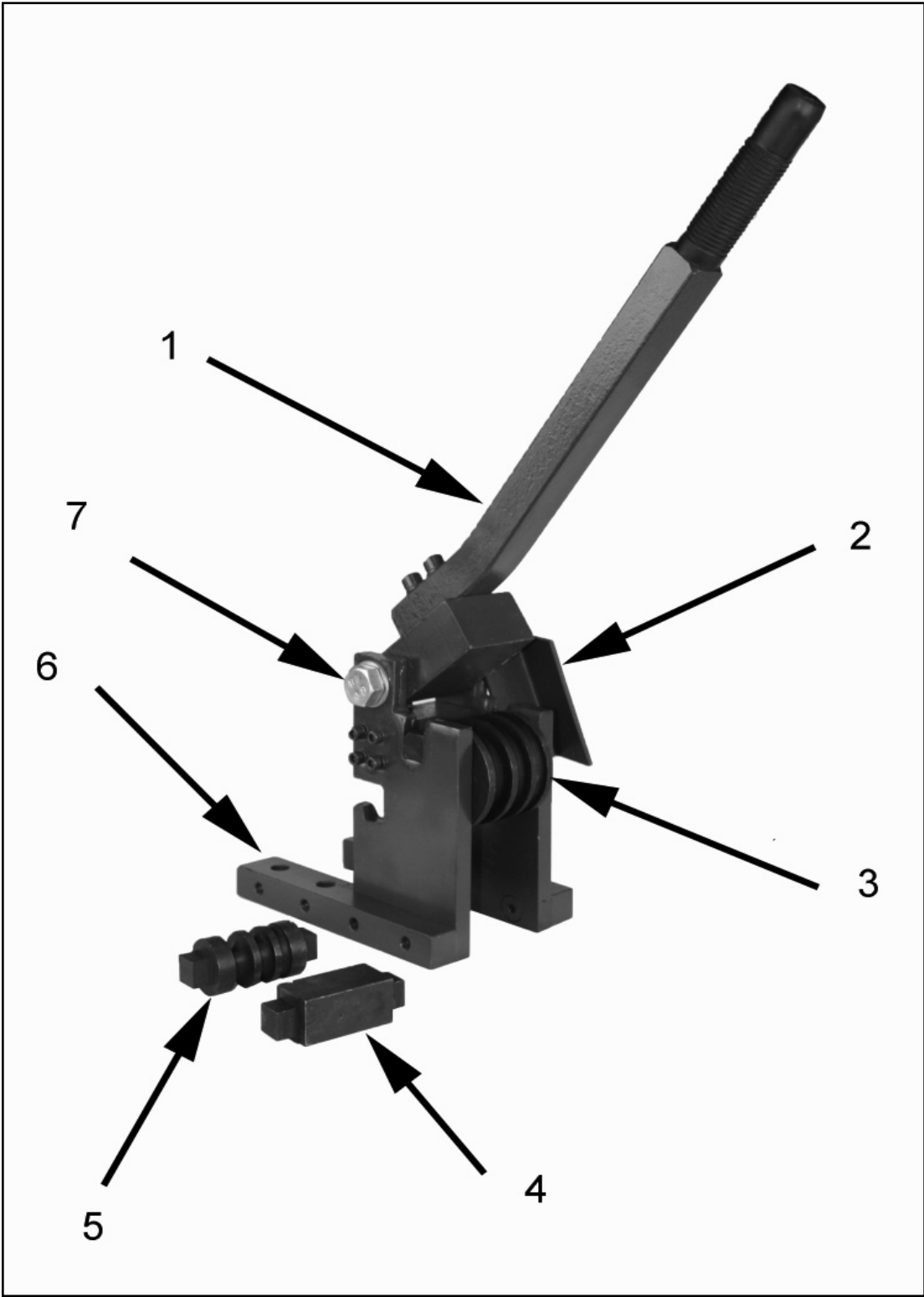
1. Carefully remove all packaging materials.
2. Inspect the package for missing pieces.
3. Remember to report any shipping damages to the carrier and make note on the delivery receipt.

- ◆ Dress properly. Do not wear loose clothing or jewelry. Contain long hair. Keep hair, clothing, and gloves away from moving parts. Loose clothes, jewelry, or long hair increases the risk of injury to persons as a result of being caught in moving parts.
- ◆ Always wear eye protection. Wear ANSI approved safety goggles.
- ◆ Stay alert. Watch what you are doing and use common sense when operating the bender. Do not use the bender while tired or under the influence of drugs, alcohol, or medication. A moment of inattention while operating the bender increases the risk of injury to persons.
- ◆ Do not overreach. Keep proper footing and balance at all times. Proper footing and balance enables better control of the bender.
- ◆ Do not alter or modify any part of this equipment.
- ◆ Keep the work area clean and well lighted. Cluttered benches and dark areas increase the risks of injury to persons.
- ◆ Prior to using the bender, make sure all debris and/or tools are removed from the bender work area.

TECHNICAL SPECIFICATIONS
• Maximum bending depth: 90°
• Tubing sizes: 1/4", 3/8", 1/2", 5/8"
• Round stock sizes: 3/16", 1/4", 5/16", 3/8", 7/16", 1/2"
• Flat stock sizes: 1/8" x 2-1/4", 3/16" x 1-1/2", 1/4" x 1"
• Shipping weight: 32 lbs. / 15 kg
• Shipping dimensions: 9" x 20" x 5" / 229mm x 508mm x 127mm

ASSEMBLY

1. Assemble the Small Material Bender as shown below.
2. Mount to work surface using bolts or screws. (Not included.)

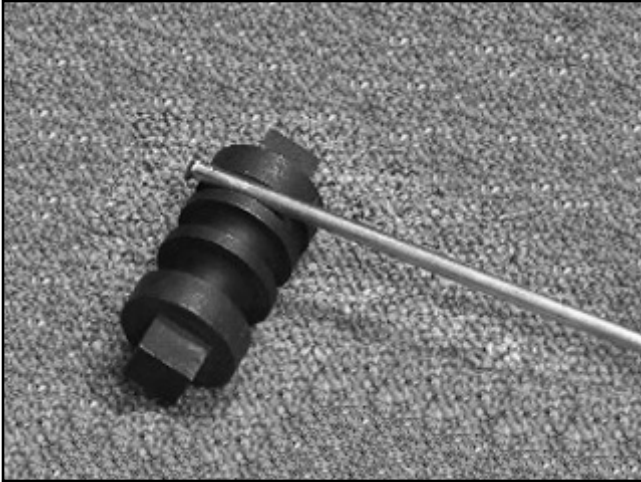


Parts

- | | |
|-------------------------------|------------------------|
| 1. Handle | 5. Small Bending Die |
| 2. Safety Stop/ Support Angle | 6. Mounting Base |
| 3. Large Bending Die | 7. Bolt, Washers, Nut. |
| 4. Square Bending Die | |

OPERATION

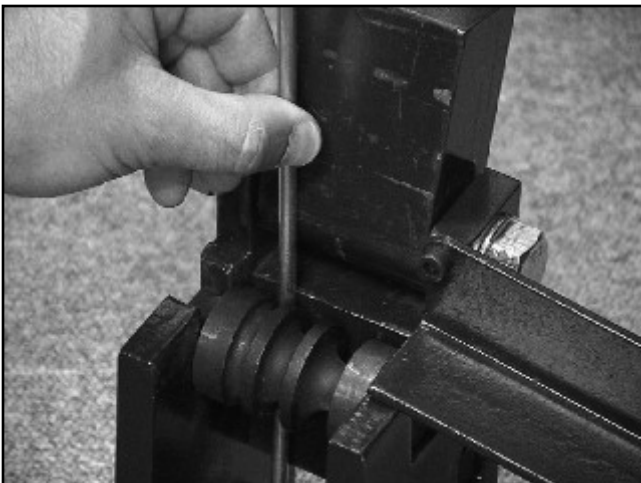
1. Select the appropriate Bender Tooling for material.



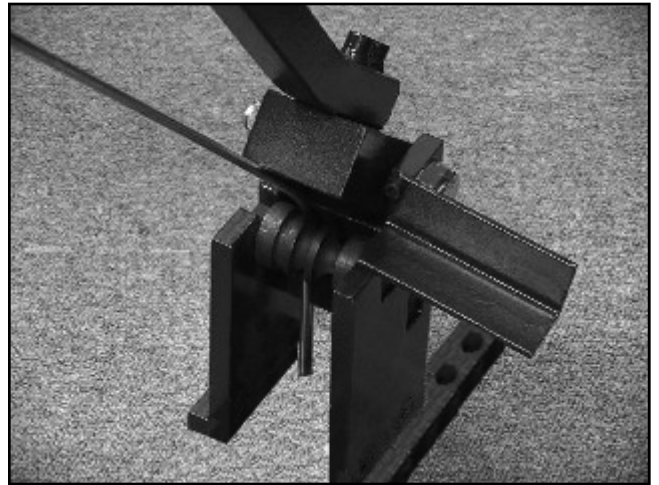
2. Insert Tooling into Small Material Bender.



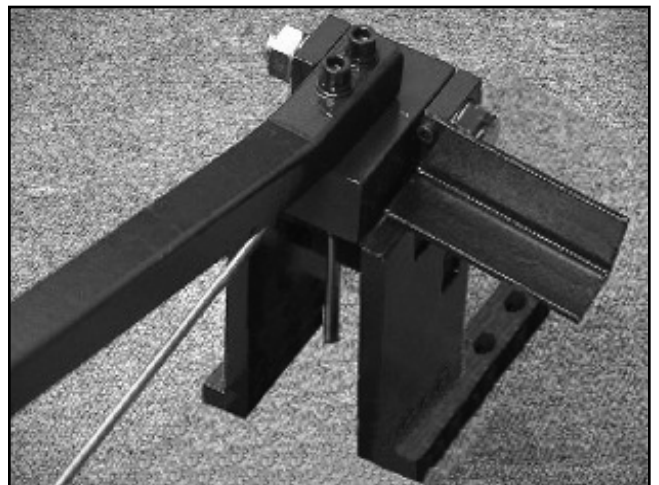
3. Slide material behind tooling as shown.



4. Begin bending by pressing down on handle. Be sure to hold material in place for desired bend.

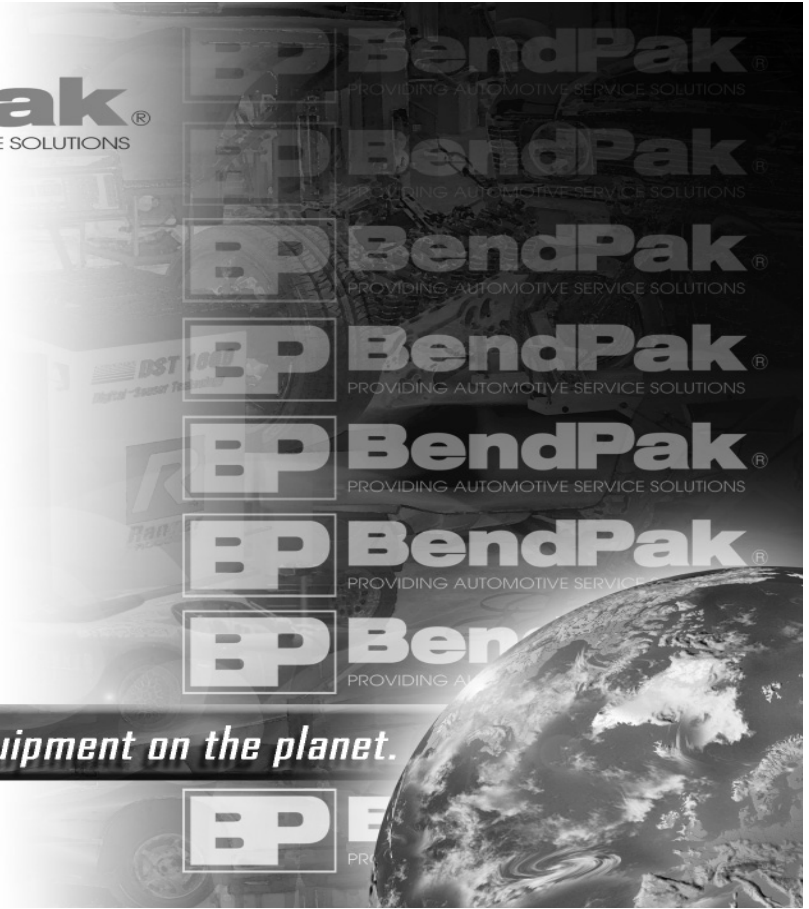


5. Continue bending to desired bend depth/angle.



MAINTENANCE

- ◆ Keep the Bender clean and free of debris and dirt.
- ◆ All exposed surfaces of the Bender should be brushed clean and wiped with WD-40 or equivalent.



The best automotive service equipment on the planet.

**For Parts Or Service
Contact:**

**BendPak Inc. / Ranger Products
1645 Lemonwood Dr.
Santa Paula, CA. 93060**

**Tel: 1-805-933-9970
Toll Free: 1-800-253-2363
Fax: 1-805-933-9160**

**www.bendpak.com
www.rangerproducts.com**

