

# ⚠WARNING

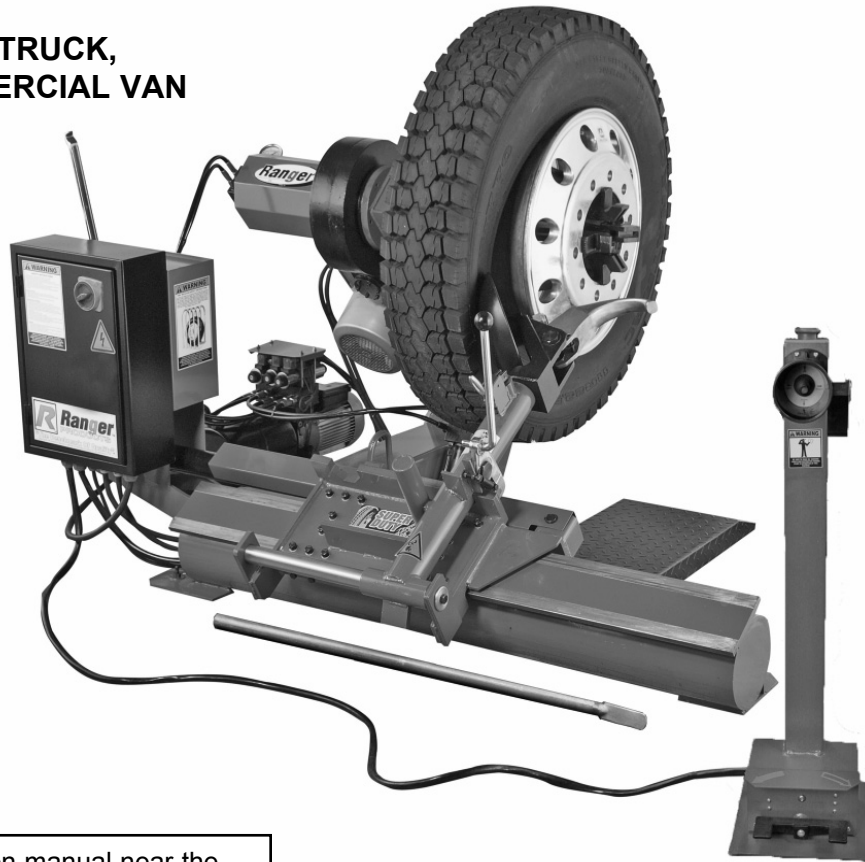
PLEASE READ THE ENTIRE CONTENTS OF THIS MANUAL PRIOR TO INSTALLATION AND OPERATION. BY PROCEEDING YOU AGREE THAT YOU FULLY UNDERSTAND AND COMPREHEND THE FULL CONTENTS OF THIS MANUAL. FORWARD THIS MANUAL TO ALL OPERATORS. FAILURE TO OPERATE THIS EQUIPMENT AS DIRECTED MAY CAUSE INJURY OR DEATH.

REV 10-08-10  
pn# 5900218

## INSTALLATION AND OPERATION MANUAL

### TIRE CHANGER MODEL: R26FLT

FOR SERVICING TRUCK,  
BUS AND COMMERCIAL VAN  
TIRES AND RIMS



Keep this operation manual near the machine at all times. Make sure that ALL USERS read this manual entirely .

#### SHIPPING DAMAGE CLAIMS

When this equipment is shipped, title passes to the purchaser upon receipt from the carrier. Consequently, claims for the material damaged in shipment must be made by the purchaser against the transportation company at the time shipment is received.

#### BE SAFE

Your new Ranger tire changer was designed and built with safety in mind. However, your overall safety can be increased by proper training and thoughtful operation on the part of the operator. DO NOT operate or repair this equipment without reading this manual and the important safety instructions shown inside.



1645 Lemonwood Dr.  
Santa Paula, CA. 93060, USA  
Toll Free 1-800-253-2363  
Tel: 1-805-933-9970  
Fax: 1-805-933-9160  
[www.rangerproducts.com](http://www.rangerproducts.com)

# R26FLT TIRE CHANGER

This instruction manual has been prepared especially for you. Your new tire changer is the result of over 25 years of continuous research, testing and development and is the most technically advanced tire changer on the market today. The manner in which you care for and maintain your tire changer will have a direct effect on its overall performance and longevity.

## READ THIS ENTIRE MANUAL BEFORE OPERATION BEGINS.

RECORD HERE THE FOLLOWING INFORMATION  
WHICH IS LOCATED ON THE SERIAL NUMBER DATA PLATE.

Serial No. \_\_\_\_\_

Model No. \_\_\_\_\_

Manufacturing date \_\_\_\_\_

### PRODUCT WARRANTY

Your new tire changer is covered under warranty for one year on equipment structure; one year on all operating components and tooling/accessories, to the original purchaser, to be free of defects in material and workmanship. The manufacturer shall repair or replace at their option for this period those parts returned to the factory freight prepaid which prove upon inspection to be defective. The manufacturer will pay labor costs for the first 12 months only on parts returned as previously described.

The warranty does not extend to...

- ◆ defects caused by ordinary wear, abuse, misuse, shipping damage, improper installation, voltage or lack of required maintenance;
- ◆ damages resulting from purchaser's neglect or failure to operate products in accordance with instructions provided in the owner's manual(s) and/or other accompanying instructions supplied;
- ◆ normal wear items or service normally required to maintain the product in a safe operating condition;
- ◆ any component damaged in shipment;
- ◆ other items not listed but may be considered general wear parts;
- ◆ damage caused by rain, excessive humidity, corrosive environments or other contaminants.

**THESE WARRANTIES DO NOT EXTEND TO ANY COSMETIC DEFECT NOT INTERFERING WITH EQUIPMENT FUNCTIONALITY OR ANY INCIDENTAL, INDIRECT, OR CONSEQUENTIAL LOSS, DAMAGE, OR EXPENSE THAT MAY RESULT FROM ANY DEFECT, FAILURE, OR MALFUNCTION OF A BENDPAK INC./ RANGER PRODUCT OR THE BREACH OR DELAY IN PERFORMANCE OF THE WARRANTY.**

## WARRANTY IS NOT VALID UNLESS WARRANTY CARD IS RETURNED.

### NOTE:

Every effort has been taken to ensure complete and accurate instructions have been included in this manual, however, possible product updates, revisions and or changes may have occurred since this printing. BendPak Ranger reserves the right to change specifications without incurring any obligation for equipment previously or subsequently sold. Not responsible for typographical errors.

# TABLE OF CONTENTS

Description	Page #
Warranty .....	2
Operator Protective Equipment.....	2
Definitions of Hazard Levels .....	4
Owner’s Responsibility .....	4
Important Safety Instructions .....	5
Introduction / Uncrating .....	6
Accessories /Specifications .....	7
Description of Parts .....	8
Transportation / Moving .....	9
Wiring Instructions .....	10
Anchoring .....	10
Sliding Tray Assembly.....	11
Tire Service Safety Instructions .....	12
Operating Instructions .....	13
General Demounting and Mounting Safety.....	13
Locking / Mounting The Wheel .....	13
Demounting Tubeless Truck Tires (Up to 13”).....	15
Mounting Tubeless Truck Tires (Up to 13”) .....	16
Demounting Superwides (Over 13”) .....	16
Mounting Superwides (Over 13”) .....	17
Demounting Multi-Piece Wheels .....	18
Mounting Multi-Piece Wheels .....	19
Demounting Tractor and O.T.R. Wheels.....	19
Mounting Tractor and O.T.R. Wheels .....	20
Maintenance Instructions .....	21
Service Records .....	23
Troubleshooting .....	24
Parts Breakdowns / Schematics .....	25

The R26FLT truck tire changer has been specifically designed to demount and mount truck, bus and commercial van tires, with rims from 19” – 27” (482 mm - 685 mm) and a maximum 63” (1600 mm) diameter. Any other use is improper and not authorized or recommended. Before beginning any kind of work on or with this machine, carefully read and understand the contents of these operating instructions. Manufacturer shall not liable for any injury to persons or damage to things caused by improper use of this machine.

**KEEP THIS MANUAL NEAR THE MACHINE AND CONSULT IT AS NEEDED DURING OPERATION.**

Failure to follow danger, warning, and caution instructions may lead to serious personal injury or death to operator or bystander or damage to property.

For additional copies or further information, contact:  
 BendPak, Inc. / Ranger Products  
 1645 Lemonwood Dr.,  
 Santa Paula, CA. 93060  
 1-805-933-9970  
[www.bendpak.com](http://www.bendpak.com)  
[www.rangerproducts.com](http://www.rangerproducts.com)

## OPERATOR PROTECTIVE EQUIPMENT

Personal protective equipment helps make tire changing safer. However, equipment does not take the place of safe operating practices.

Always wear durable work clothing during tire service activity. Shop aprons or shop coats may also be worn, however loose fitting clothing should be avoided.

Tight fitting leather gloves are recommended to protect operators hands when handling worn tires and wheels.

Sturdy leather work shoes with steel toes and oil resistant soles should be used by tire service personnel to help prevent injury in typical shop activities.

Eye protection is essential during tire service activity. Safety glasses with side shields, goggles, or face shields are acceptable.



Back belts provide support during lifting activities and are also helpful in providing operator protection.

Consideration should also be given to the use of hearing protection if tire service activity is performed in an enclosed area, or if noise levels are high.

## DEFINITIONS OF HAZARD LEVELS

Identify the hazard levels used in this manual with the following definitions and signal words:

### **⚠ CAUTION**

#### **DANGER**

Watch for this symbol: It Means: Immediate hazards which will result in severe personal injury or death.

### **⚠ WARNING**

#### **WARNING**

Watch for this symbol: It Means: Hazards or unsafe practices which could result in severe personal injury or death.

### **⚠ CAUTION**

#### **CAUTION**

Watch for this symbol: It Means: Hazards or unsafe practices which may result in minor personal injury or product or property damage.



Watch for this symbol! It means BE ALERT! Your safety, or the safety of others, is involved!

## OWNER'S RESPONSIBILITY

To maintain machine and user safety, the responsibility of the owner is to read and follow these instructions:

- ◆ Follow all installation instructions.
- ◆ Make sure installation conforms to all applicable Local, State, and Federal Codes, Rules, and Regulations; such as State and Federal OSHA Regulations and Electrical Codes.
- ◆ Carefully check the unit for correct initial function.
- ◆ Read and follow the safety instructions. Keep them readily available for machine operators.
- ◆ Make certain all operators are properly trained, know how to safely and correctly operate the unit, and are properly supervised.
- ◆ It is the responsibility of the facility owner to properly designate work areas and areas where by-standers are not permitted.
- ◆ Allow unit operation only with all parts in place and operating safely.
- ◆ Carefully inspect the unit on a regular basis and perform all maintenance as required.
- ◆ Service and maintain the unit only with authorized or approved replacement parts.
- ◆ Keep all instructions permanently with the unit and all decal's on the unit clean and visible.

### **⚠ WARNING**

Do not attempt to operate this equipment if you have never been trained on basic truck tire service and mounting / dismounting procedures.

### **DANGER! ALWAYS STAY CLEAR OF MOVING PARTS!**



# IMPORTANT SAFETY INSTRUCTIONS

## **⚠**WARNING

1. **READ AND UNDERSTAND** all safety warning procedures before operating unit.
2. **KEEP HANDS AND FEET CLEAR.** Remove hands and feet from any moving parts.
3. **KEEP WORK AREA CLEAN.** Cluttered work areas invite injuries.
4. Consider work area environment. Do not expose equipment to rain. **DO NOT** use in damp or wet locations. Keep area well lighted.
5. **ONLY TRAINED OPERATORS** should operate this equipment. All non-trained personnel should be kept away from work area. Never let non-trained personnel come in contact with, or operate machine.
6. **USE MACHINE CORRECTLY.** Use machine in the proper manner. Never use adapters other than what is approved by the manufacturer.

7. **DO NOT** override or disable safety valves and/or devices.

8. **ALWAYS INSURE** that the arm lock is engaged before any attempt is made to service wheels and/or tires.

9. **DRESS PROPERLY.** Non-skid steel-toe footwear is recommended when operating machine.

10. **GUARD AGAINST ELECTRIC SHOCK.** This equipment must be grounded while in use to protect the operator from electric shock. Never connect the green power cord wire to a live terminal. This is for ground only.



11. **DANGER!** The motor on this machine contains high voltage. Disconnect power at the receptacle before performing any electrical repairs. Secure plug so that it cannot be accidentally plugged in during service.

12. **WARNING! RISK OF EXPLOSION.** This equipment has internal arcing or sparking parts which should not be exposed to flammable vapors. This machine should not be located in a recessed area or below floor level.



13. **MAINTAIN WITH CARE.** Keep unit clean for better and safe performance. Follow manual for proper lubrication and maintenance instructions. Keep control pedals and/or buttons dry, clean and free from grease and oil.

14. **STAY ALERT.** Watch what you are doing. Use common sense. Be aware.

15. **CHECK FOR DAMAGED PARTS.** Check for condition of all moving parts, breakage of parts or any condition that may affect the machines operation. Do not use if any component is broken or damaged.

16. **NEVER** remove safety related components or device from the machine. Do not use if safety related components are damaged or missing.

17. To reduce fire hazard, keep engine/motor exterior free of oil, solvent, or excessive grease.

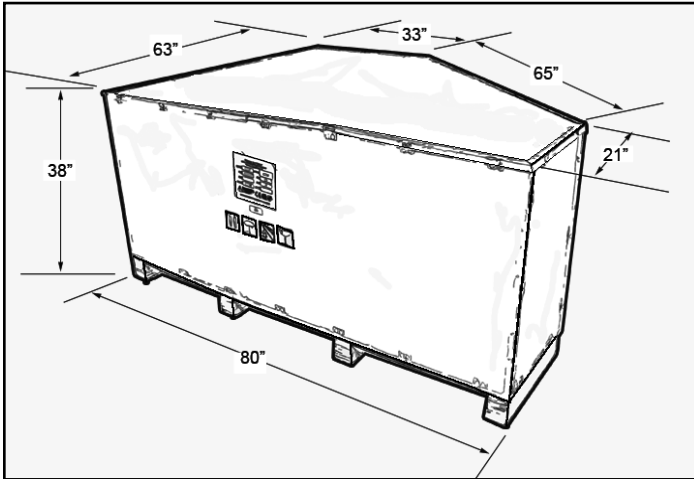


18. Unreadable and missing warning labels must be replaced immediately. Do not use the tire changer if one or more labels are missing. Do not add any object that could prevent the operator from seeing the labels.



## INTRODUCTION

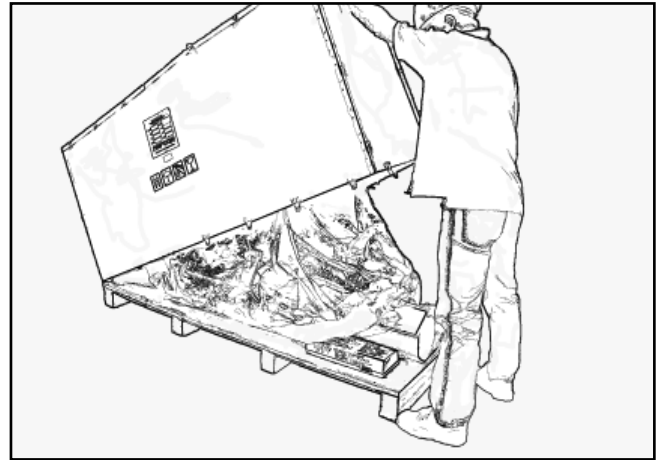
The R26FLT is shipped on a pallet. Approximate shipping dimensions are shown below.



Using a crow bar or pry bar, locate the staple/nail/tab locations and pry off the bottom part the box.

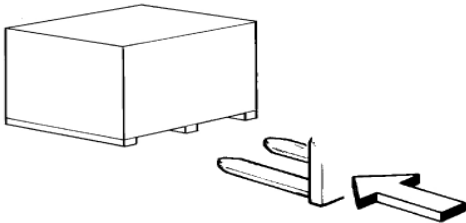
### NOTE:

The entire box can be lifted off after prying the staples/nails/tabs at the base of the carton.



## CAUTION

Handling of the machine must be performed only with an appropriate lifting device such as a forklift or pallet jack. Only personnel who are experienced and qualified on material handling procedures should handle any transportation or moving of machine.



Remove the Control Pod, Sliding Carriage, Grease Gun and Tire Irons from the pallet and set aside.

### NOTE:

The Control pod is connect to the Power Control Box via a cable.

### NOTE:

The Sliding Carriage should be attached after the Tire Changer is in the proper operating location and wired correctly.

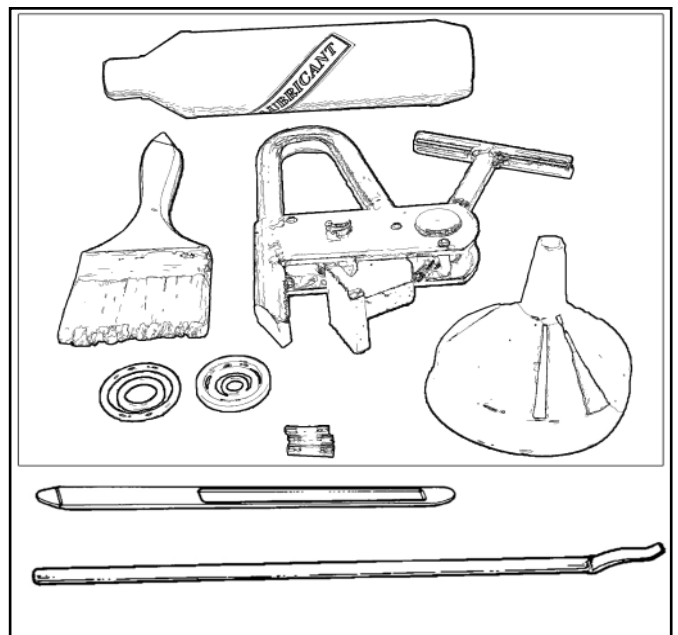
## Uncrating Instructions

## CAUTION

Be careful when cutting steel/plastic banding material as items may become loose and fall causing personal harm or injury. Always wear gloves when uncrating the machine to prevent scratches, abrasions, or cuts due to the contact with packing materials. Eye protection is essential during uncrating service activity. Safety glasses with side shields, goggles, or face shields are acceptable.

Remember to report any shipping damage to the carrier and make a notation on the delivery receipt.

Open the Tool Storage Box, remove and inventory the Accessories



## Accessories

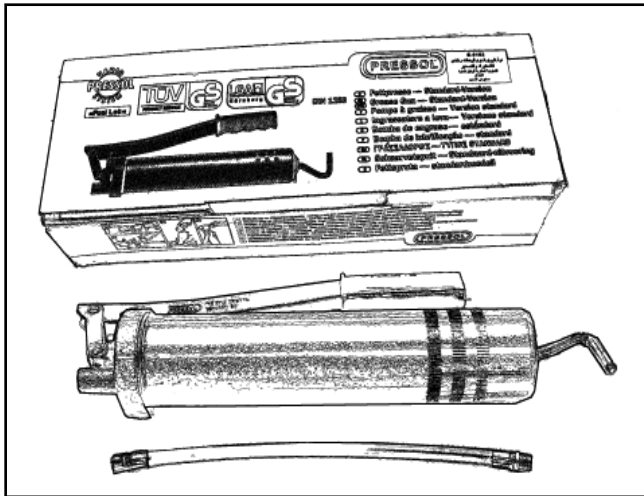
Tire Lubrication  
 Funnel  
 Large Bead Tool  
 Small Bead Tool  
 Rotary Valve O-rings  
 Fuses  
 Wheel Clamp  
 Lever Grease Gun

## Specifications

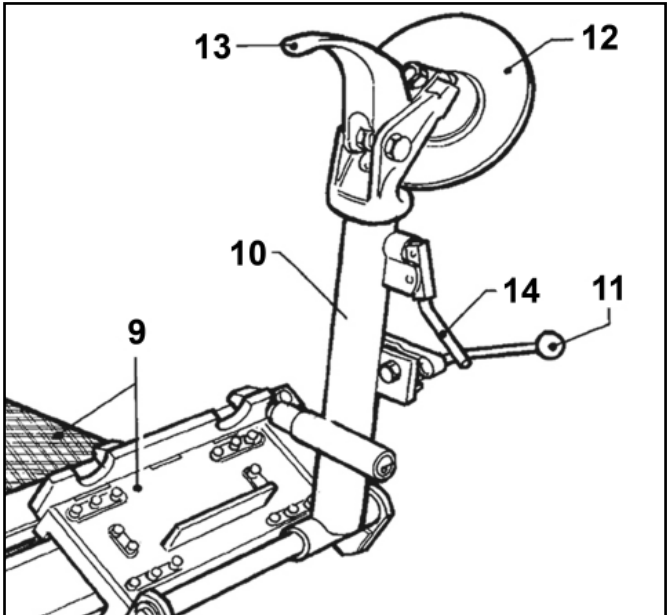
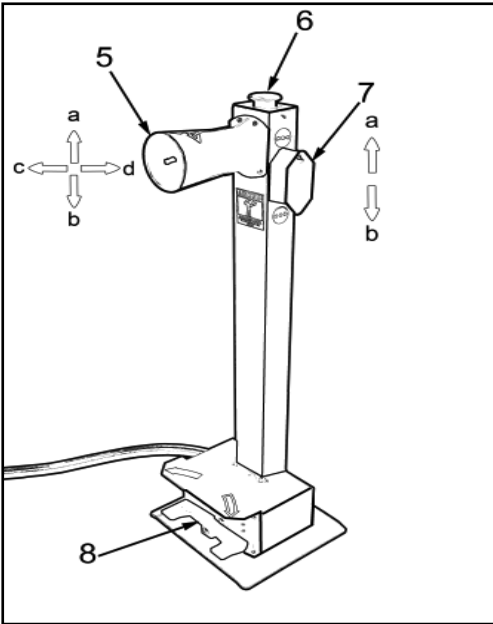
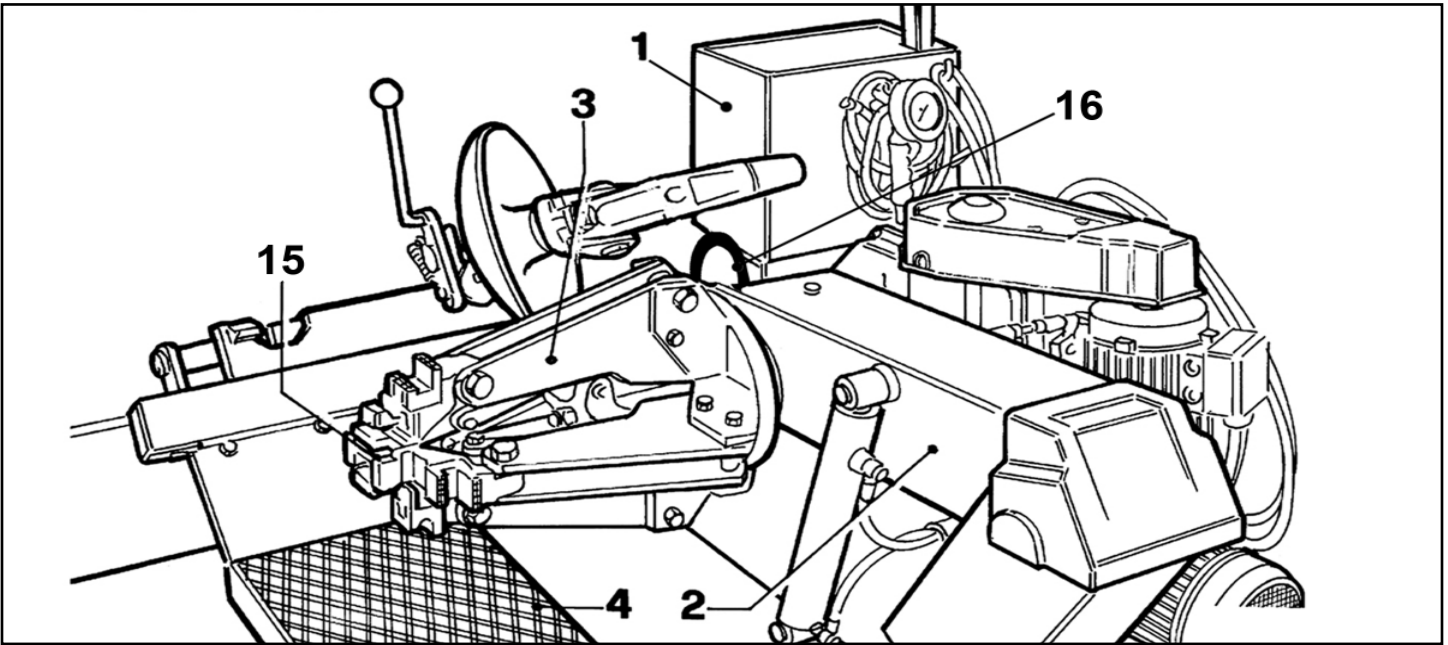
Type of Drive System	Electric / Hydraulic
Standard Voltage	208-230V / 60Hz / 1Ph*
Wheel Clamping Method	4 Clamps
Bead Breaking System	Armor-Plate Disc
Max Rim Diameter	9" – 27" (482 mm - 685mm)
Max Tire/Wheel Diameter	63" (1600 mm)
Max Tire/Wheel Width	31-1/2" (800 mm)
Shipping Weight	1485lbs. (674Kg)

Specifications are subject to change without notice.

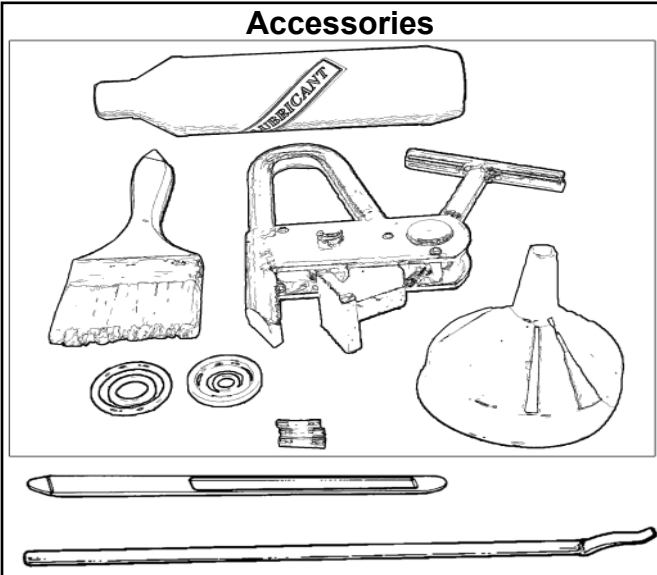
\*Different voltages available upon request.



# DESCRIPTION OF PARTS



## Accessories



- 1 - Main Power Console / on-Off Switch
- 2 - Horizontal Chuck Arm
- 3 - Self Centering Chuck
- 4 - Sliding table
- 5 - Chuck Arm Joystick Control
- 6 - Emergency Stop
- 7 - Chuck Control Switch
- 8 - Wheel (CW/CCW) Rotatation Control
- 9 - Sliding Carriage
- 10 - Mount - Demount Tool Holder Arm
- 11 - Arm Lock Lever
- 12 - Bead Breaking Disc
- 13 - Bead Tool
- 14 - Tool Lock Handle
- 15- Self Centering Chuck Jaws
- 16 - Lifting Hook



## INSTALLATION AND ASSEMBLY

### **⚠WARNING**

**Do not** lift or move unit without appropriately rated equipment. Be sure the unit is securely attached to lifting device used.

### **⚠WARNING**

**Do not** lift unit by holding onto arms, carriage or other non-approved lifting areas.

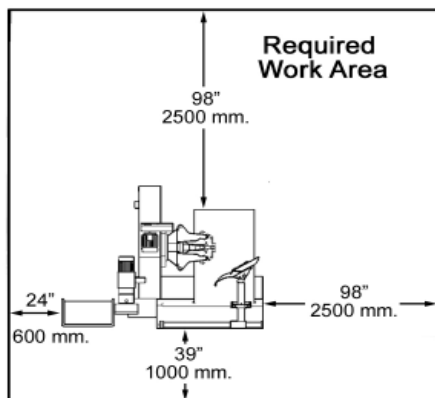
### **⚠DANGER**

**Never** use the wood shipping skid for mounting the unit.

Choose a safe location that is in compliance with current work place safety regulations. Failure to properly install the machine can lead to improper and unsafe operation.

Machine size is approximately:  
75" w x 60" l x 28" h  
(1905mm w x 1524mm l x 711mm h)

Recommended minimum work area distance from walls as shown in the diagram.

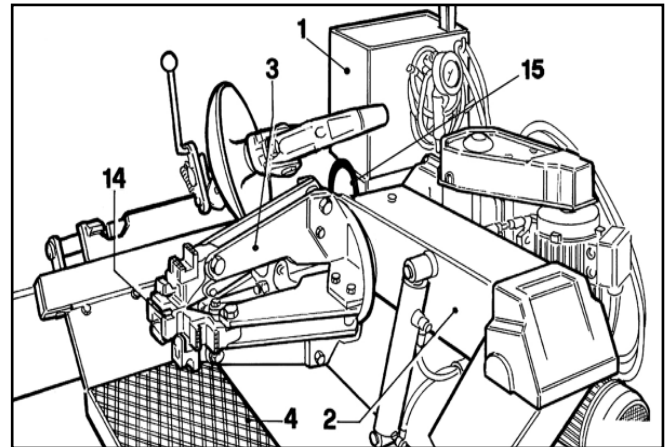


These measurements are the tire changers working range. Persons other than specially trained and authorized operators are expressly forbidden to enter this area.

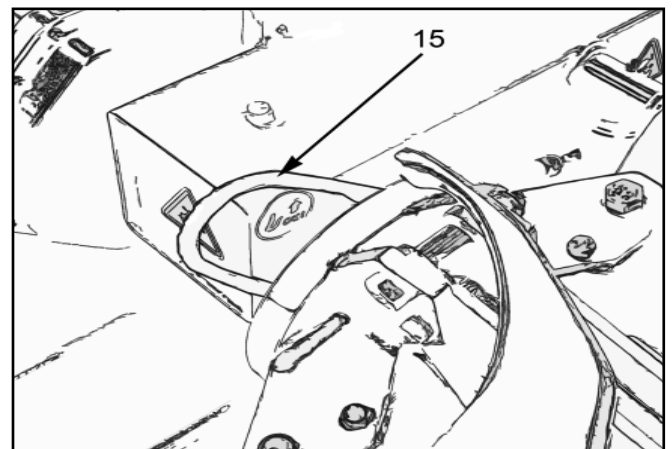
## Transporting / Moving

The R26FLT tire changer has a lifting ring which has been positioned specifically for moving the machine.

Before attempting to transport the machine, follow these instructions:



- 1) Make sure the horizontal chuck arm (2) is completely lowered.
- 2) Make sure the chuck jaws (3) are closed.
- 3) Bring the sliding table (4) all the way left towards the horizontal chuck arm.
- 4) Insert a lifting hook and cable with a minimum lifting capacity of 1500-pounds (680 kgs.) around the lifting ring (15). Make sure the cable is of sufficient length to properly clear the tire changer when handling.



- 5) Take precaution to keep track of the cable connecting the Control Pod while moving the Tire Changer.
- 6) Lift only with an approved capacity lifting truck or approved devise that is capable of safely handling the load.

## Wiring Instructions



### **⚠ DANGER**

Disconnect, tag and lock out power source before attempting to install, service, relocate or perform any maintenance.

1. Check the voltage, phase and proper amperage requirements for the motor shown on the motor plate. Wiring should be performed by a certified electrician only.

### **⚠ DANGER**

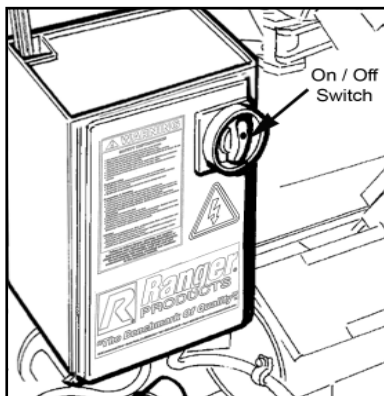
Overheating, short circuits and fire damage will result from inadequate wiring. Wiring must be installed in accordance with National Electric Code and local codes and standards covering electrical apparatus and wiring.

Be certain that adequate wire sizes are used, and that:

- ◆ Service is of adequate amp rating.
- ◆ The supply line has the same electrical characteristics (voltage, cycles and phase) as the motor.
- ◆ The line wire is the proper size and that no other equipment is operated from the same line.

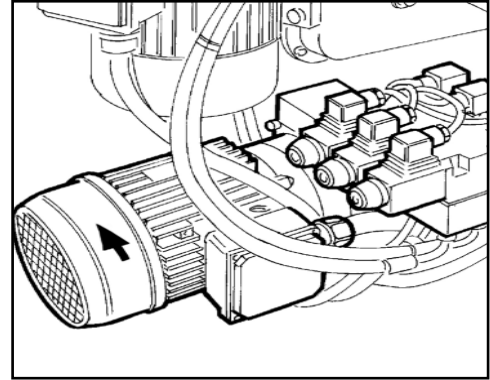
### Motor Rotation Check

Once the machine is hooked-up, turn the machine on using the on/off switch.



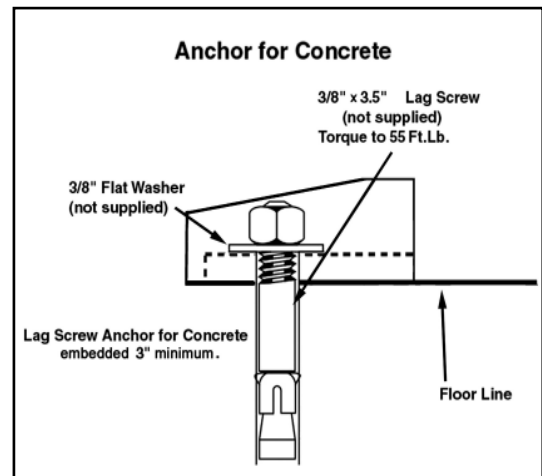
## **⚠ WARNING**

Ensure that the rotation direction of the pump is the same as indicated by the arrow on the motor cover. If not, contact Ranger Customer Service. Wiring should be performed by a certified electrician only.



### Anchoring

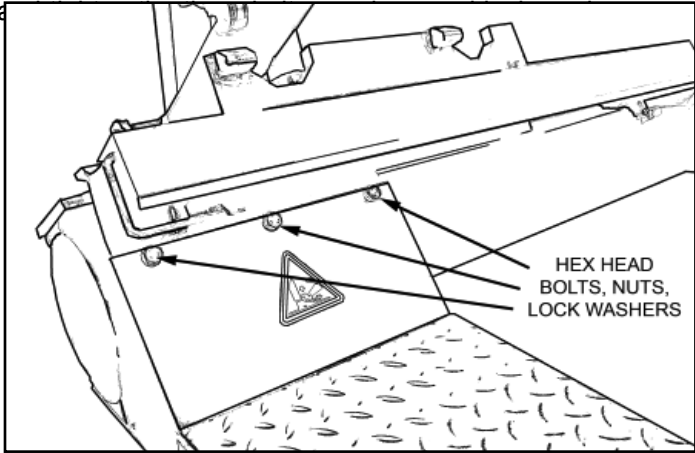
It is not essential to anchor the machine to the floor, however, the floor must be smooth and level and permit the platform rollers to move freely. When anchoring to a concrete floor use the mounting holes that are provided in the frame. Make sure the machine is solid and level and supported evenly on all anchor points. Solid shims may be used if necessary.



# SLIDING TRAY ASSEMBLY

Using the Control Pod slide the Horizontal Chuck Arm to the Right and Turn off the power. (See page 13)

Remove the three bolts, then position the Sliding Tray



# TIRE AND WHEEL SERVICE SAFETY INSTRUCTIONS

## **⚠ DANGER**

Only properly trained personnel should service tires and wheels on the R26FLT. Read all safety and operating instructions thoroughly before use. The following safety instructions are for one piece wheels only. Always refer to the manufacturer's procedures for multi-piece wheels.

**Always** wear durable personal protective work clothing and safety gear during tire service activity. Refer to page three for Operator Protective Equipment.

**ALWAYS** remove all wheel weights and the valve core to deflate the tire before servicing.

**ALWAYS** keep all working surfaces clean and free of debris.

**ALWAYS** be aware of what each person is doing-- and will do before attempting any two-person operation.

**ALWAYS** cover the electric motor and electrical components before cleaning the tire changer. Be sure water or cleaner does not enter the motor or electrical components or come in contact with electrical connections.

**ALWAYS** disconnect the electric power and air supply before attempting any maintenance.

### **Bead Loosening**

**NEVER** place anything between the bead loosener disc and the tire/wheel.

**NEVER** allow the bead loosener disc to contact the wheel or wheel damage may occur.

**NEVER** place any part of your body between the bead loosener disc and the tire/wheel, severe bodily injury may result.

### **Demounting & Mounting**

**ALWAYS** clean and inspect the wheel prior to any service.

**NEVER** stand on the sliding carriage, frame or work table while demounting or mounting a tire.

**ALWAYS** keep hands, feet, and other objects away from moving parts while the machine is turned on.

**ALWAYS** place the narrow bead seat to the outside when clamping. Failure to demount the tire from the narrow bead seat side may cause damage to the tire beads.

**ALWAYS** apply an approved rubber lubricant to rim flanges and both tire beads before demounting or mounting and seating the beads.

**NEVER** mount a tire on a damaged or rusty wheel as tire or wheel failure may result during inflation. Explosion from failure may result in severe injury or death of the operator and bystanders.

### **Inflation**

**ALWAYS** be sure the bead opposite the tool is in the drop center before rotating the tire when demounting or mounting to avoid damage to the tire beads.

**NEVER** seat beads or inflate a tire on the tire changer. The R26FLT is not designed as a safety device or stand for bead seating or inflation.

**ALWAYS** follow all applicable Local, State, and Federal Codes, Rules, and Regulations; such as the Federal OSHA Standard Number 1910.177.

**ALWAYS** use an approved inflation chamber or inflation cage equipped with a self-gripping chuck and remote inflation gauge and valve.

**ALWAYS** inflate the tire to manufacturer's recommended cold operating pressure.

**DO NOT OVER INFLATE!** Tire or wheel failure during and after inflation may result in an explosion capable of causing severe injury or death.

**NEVER** reinflate a tire that has been run under inflated or flat without first demounting the tire and checking for wheel and tire damage.

**ALWAYS** inspect the tire interior for loose or broken cords, cuts, penetrating objects, and other damage. Discard tires that cannot be properly repaired.

**NEVER** rework, weld, heat or braze wheels.

**NEVER** strike the tire or wheel with a hammer.

**ALWAYS** be sure the tire diameter exactly matches the wheel diameter.

## **⚠ DANGER**

Tire failure under pressure can be hazardous. Always place wheels inside an approved inflation chamber or cage before inflating. Use an approved remote inflation valve, hose, and gauge. **ALWAYS** wear safety goggles for eye protection. Do not stand beside the wheel or cage during inflation. Keep hands and other parts of the body out of the cage during inflation. Observe the tire pressure frequently. Do not exceed the manufacturer's recommended maximum inflation pressure. Failure to follow these instructions may cause the tire and rim to separate with tremendous force, resulting in serious personal injury or death.

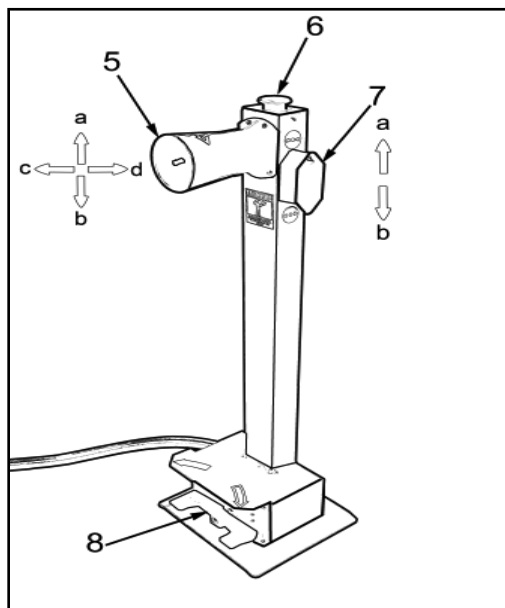
# OPERATING INSTRUCTIONS

## Controls

The mobile control enables the operator to work at any position around the machine. Before operating the machine ensure that you thoroughly understand the operation and function of all controls.

1. To turn the machine on, rotate the ON/OFF switch to the ON position. The the running light will illuminate and pump motor will start running and will remain in operation until the machine is turned off. The power required is minimum when the hydraulic cylinders are not in use.

2. Press the chuck rotation pedal (8) to the right: The chuck will rotate clockwise. Press to the left and the chuck rotates counterclockwise.



3. Move the joystick control (5) to position A and the horizontal chuck arm will move upward. Move the joystick control (5) to position B and the horizontal chuck arm will move downward.

4. Move the joystick control (5) to position C and the sliding carriage will move left. Move the joystick control (5) to position D and the sliding carriage will move right.

5. Move the switch (7) upward and the self-centering chuck jaws will open. Move the switch (7) downward and the self-centering chuck jaws will close.

## ⚠WARNING

- ◆ Ensure that the horizontal arm is fully raised prior to rotation of the self-centering chuck .
- ◆ Before lifting the tool holder arm be sure that nobody is standing in the operational area or areas of danger.

- ◆ When opening the chuck ensure that the jaws do not contact or hit other parts of the machine.

### NOTE:

All the controls are very sensitive and small movements of the machine can be done with precision.

## Demounting and Mounting

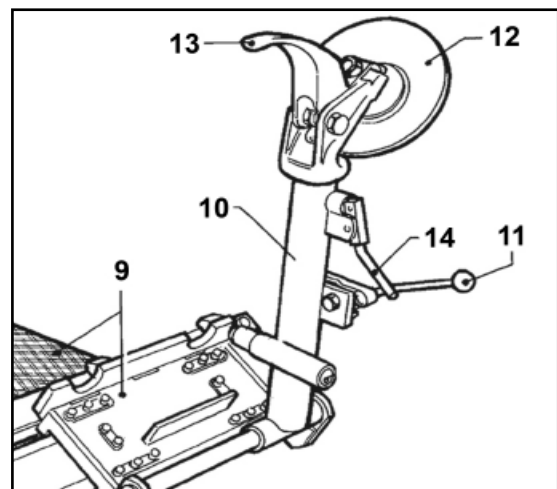


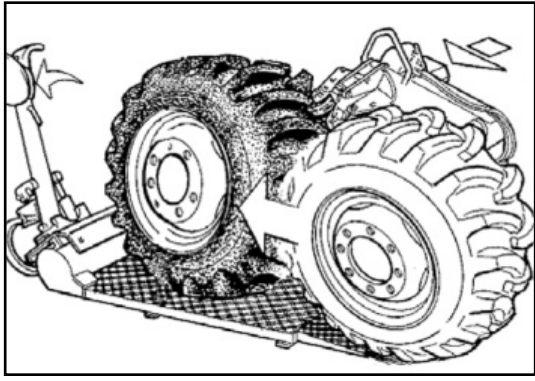
Before mounting a tire on a rim, pay attention to the following:

- ◆ The rim and all of its parts must be clean and in good condition.
- ◆ Remove all wheel-weights, including tape weights inside the rim.
- ◆ The tire must be clean and dry, without any damage to the bead, sidewalls or tread area(s).
- ◆ Replace the rubber valve stem or o-ring with a new one.
- ◆ If the tire requires a tube or a flap, make sure the tube is dry and in good condition.
- ◆ Lubrication is necessary to mount the tire correctly and get a proper centering. Be sure and use an approved lubricant only.
- ◆ Make sure the tire is the correct size for the rim.

## Locking / Mounting The Wheel

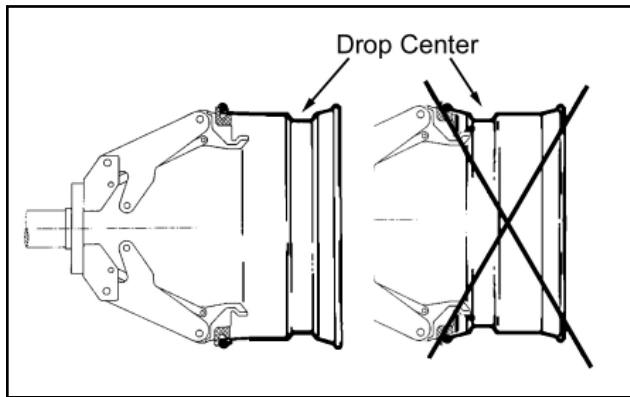
1. Take the mobile control unit to a comfortable working position clear of moving components.
2. Place the tool-holder arm (10) into the upright position.
3. Operating from the mobile control, move the sliding table (9) away from the self-centering chuck and place the wheel in vertical position on the sliding table.





## ⚠ CAUTION

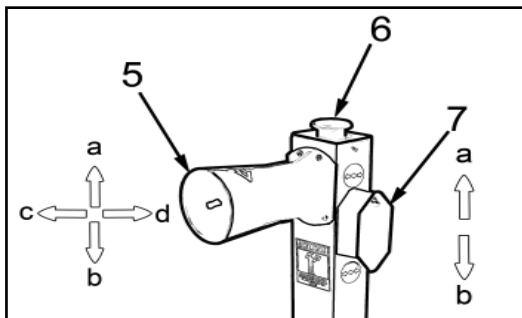
The drop center of the rim (when it exists) must be kept towards the outside of the machine.



## ⚠ WARNING

If the wheel is heavy, always be sure to use a suitable external lifting device (i.e. fork lift, crane etc.). Always practice workplace safety. Back belts provide support during lifting activities and are also helpful in providing operator protection.

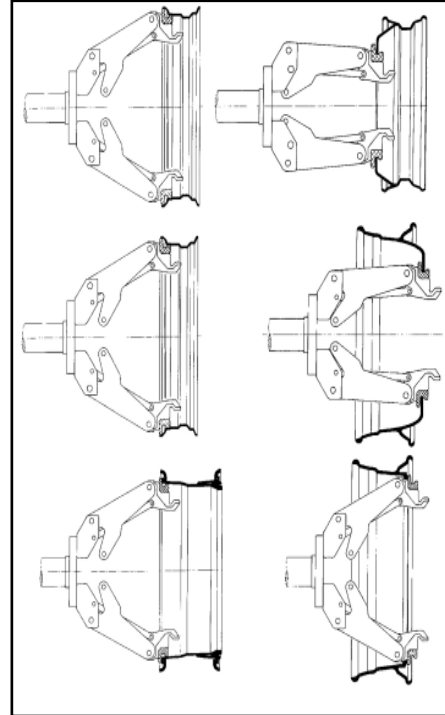
4. Continuing to operate from the mobile control, lift or lower the horizontal arm and center the self-centering chuck relative to the center of the wheel. Move the joystick control (5) to position A and the horizontal chuck arm will move upward. Move the joystick control (5) to position B and the horizontal chuck arm will move downward.



5. With the jaws in the closed position, move the joystick control (5) to position C and the sliding carriage and table will move left towards the self-centering chuck.

6. Slowly continue moving the sliding carriage and table left until the center of the wheel positions over the closed self-centering chuck jaws.

7. Operate the chuck switch (7) to open the self-centering chuck and lock onto the inside of the wheel using the approved mounting illustrations shown below making sure the drop center of the rim (when it exists) is kept towards the outside of the jaws.



## ⚠ DANGER



◆ When the horizontal arm is lowered, there is always a potential for crushing anything in its movement range. Always keep well out of the working range of the various moving arms and parts.

◆ When the chuck jaws open or close, there is always a potential for crushing anything in their movement range. Always keep hands and fingers out of the jaws working range.

◆ When locking the wheel, make sure that clamps are properly positioned on the rim, so as to prevent the tire from falling.

◆ This operation can be extremely dangerous. Do it manually only if you are certain you can keep the wheel balanced. For large and heavy tires an adequate lifting device must be used.

## Demounting Tubeless Truck Tires (Up to 13")

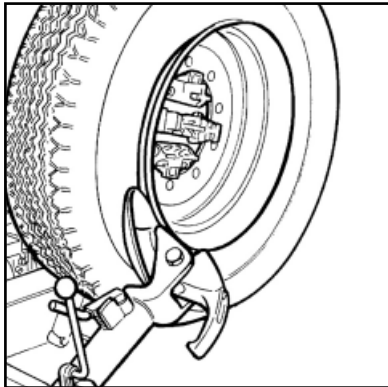
Tubeless truck tires are usually mounted on drop-center rims. It is possible to demount these tires simply by pressure, and with proper lubrication

1. Remove all of the wheel-weights from the rim. Remove the valve stem or core and deflate the tire.

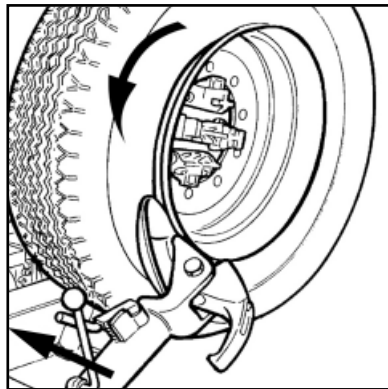
**DANGER**

**ALWAYS** remove valve core to deflate tire before servicing.

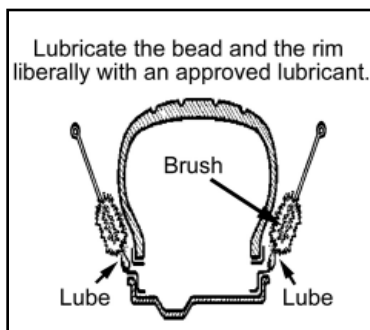
2. Position the bead loosener disc or tubeless roller on the outside bead of the tire as shown below.



3. Lift or lower the chuck so that the bead loosener disc or tubeless roller remains close to the rim edge. Turn the chuck counterclockwise while at the same time moving the tool holder sliding carriage slowly left.



4. Continue to turn the chuck and lubricate the bead and the rim liberally with an approved lubricant. Use only approved lubricants for tires and wheels. Continue until the first bead is fully detached.



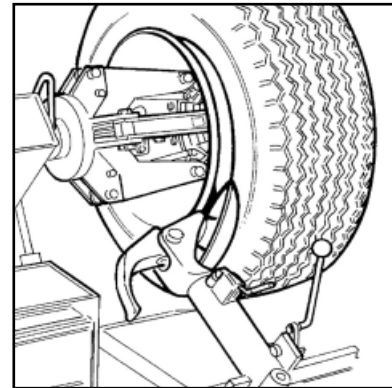
5. Bring the tool carrier arm and disc back from the edge of the wheel then release the hook and raise the tool holder arm to the rest position.

6. Press the tool lock handle to unlock the tool head and turn the head 180° until it locks automatically and the disc is facing to the right.

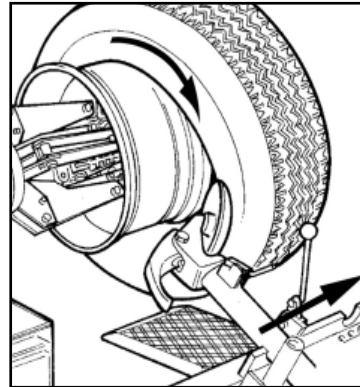
7. Lower the tool-holder arm into its working position and allow it to lock securely.



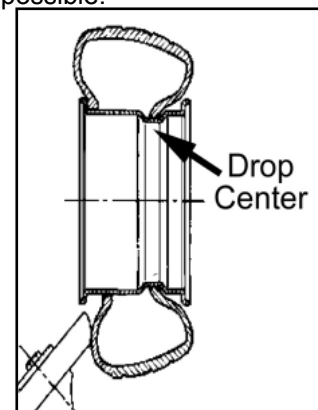
8. Position the bead loosener disc close to the rim edge



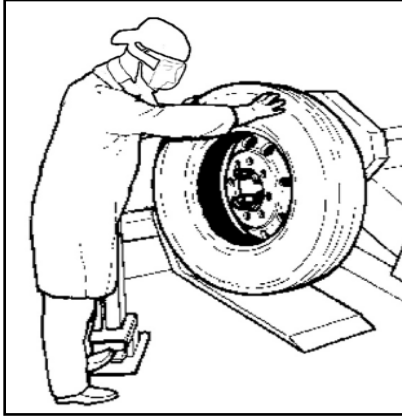
9. Turn the chuck counterclockwise while at the same time moving the tool holder sliding carriage slowly right until the inside bead is fully detached.



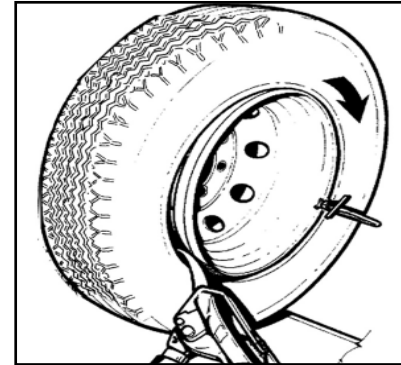
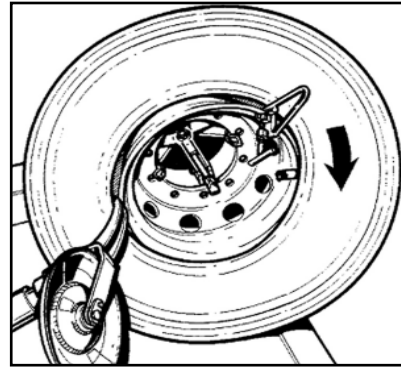
10. Continue rotating the chuck, moving tool holder carriage towards the outside until the beads are completely demounted. Ensure that the outer bead slides into the drop center opposite to the tool, otherwise the demounting operation is impossible.



11. Move to the front of the tire and hold it with both hands in the last part of demounting operation to prevent the tire from falling or rolling away out of control.

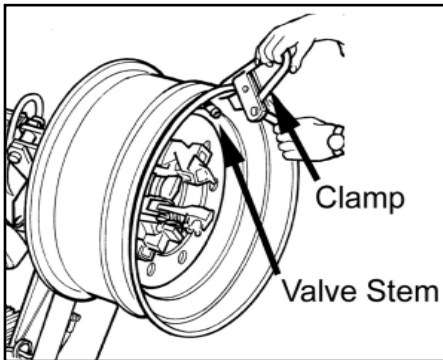


4. Turn the chuck clockwise until the tire is completely mounted.

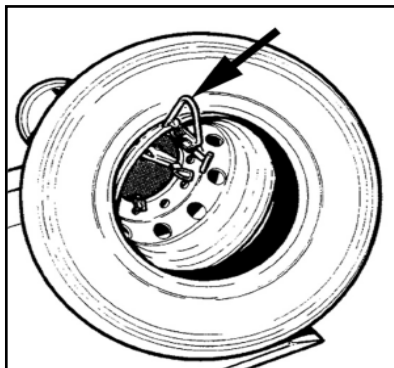


### Mounting Tubeless Truck Tires (Up to 13")

1. Liberally lubricate the entire inner surface of the rim and the tire beads. Attach the mounting clamp to the outer rim flange with the valve at 11 o'clock and the clamp at 12 o'clock.



2. Move the horizontal chuck arm all the way down then roll the tire on the foot board and hang it onto the mounting clamp.



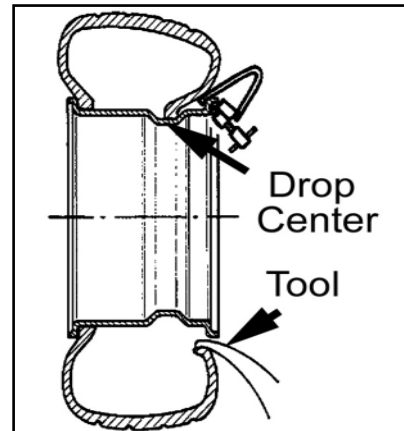
3. Lift the horizontal chuck arm and position the mounting hook or tubeless roller approximately 1/2" (1.5 cm.) to the inside of the rim edge and approximately 1/2" (1.5 cm.) away from the rim edge. The mounting clamp should be at approximately 11 o'clock.

### ⚠WARNING

Never use hand pressure to hold the tire onto the rim as personal injury may result.

### ⚠CAUTION

Ensure that the outer bead moves into the drop center when the clamp is opposite to the tool.



### ⚠WARNING

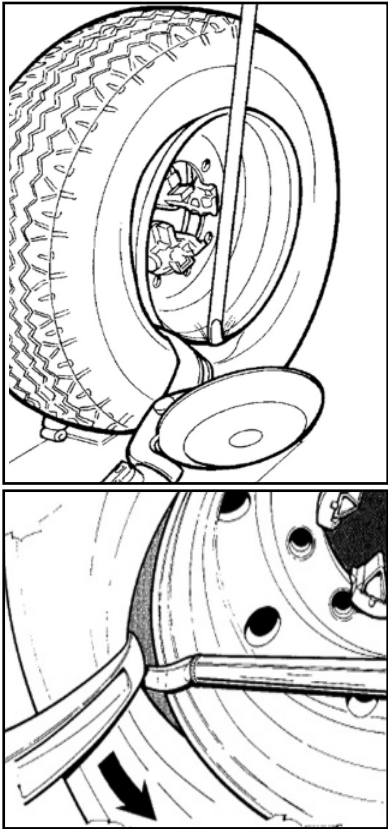
Stop the chuck before one complete turn is made to avoid personal injury or serious damage to the mounting clamp and/or rim.

### Demounting Duplex and Supersingle Tubeless Truck Tires (Over 13" Wide)

1. Loosen the outer bead of the tire as described previously.
2. For this type of tire it is not possible to demount both beads at the same time with the disc as described earlier.

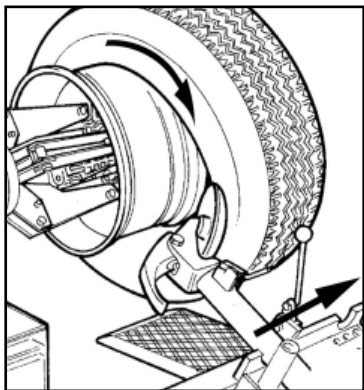


3. Engage the hook of the mount/demount tool between the bead and the rim then lift the horizontal chuck arm making the rim raise just enough to clear the hook about 1/2" from the rim flange. Move the mount/demount tool towards the outside. This will allow you to place the long tire iron bar in between the bead and the rim flange.



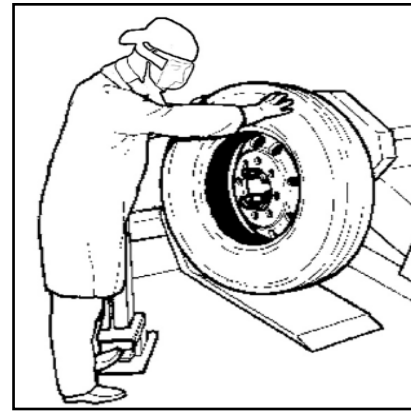
4. Rotate the chuck counterclockwise until the outer bead is completely demounted.

5. Demount the inner bead with the bead breaker disc, as described earlier. Continue rotating the chuck, moving tool holder carriage towards the outside until the beads are completely demounted.



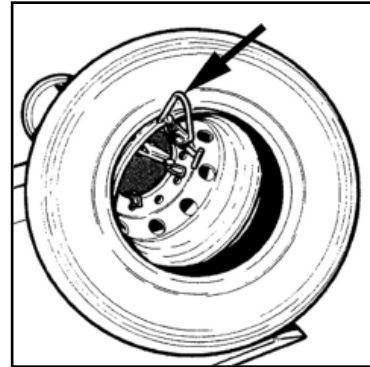
## ⚠ CAUTION

Move to the front of the tire and hold it with both hands in the last part of demounting operation to prevent the tire from falling or rolling away out of control.

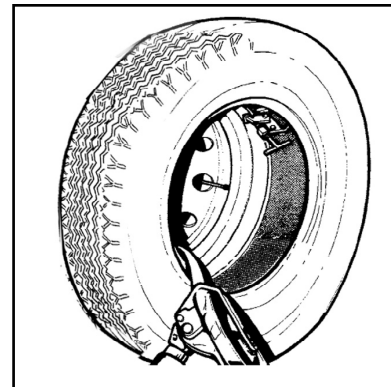


### **Mounting Duplex And Supersingle Tubeless Truck Tires (Over 13" Wide)**

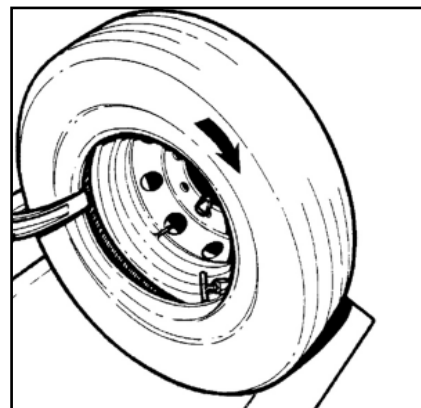
1. Hang the inner bead of the tire on the mounting clamp.



2. Position the mounting hook about 3/4" (1.5 cm) to the inside of the inner rim edge and 1/2" (1 cm) away.

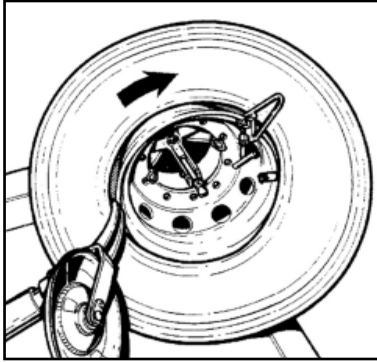


3. Rotate the chuck clockwise. Normally less than 1/4 of a revolution is sufficient to mount the first bead.



4. Re-attach the mounting clamp to the outer rim flange with the valve forward of the mounting clamp.

5. Rotate the chuck clockwise until the tire is completely mounted.



**⚠WARNING**

Always stop the chuck before one complete turn is made to avoid personal injury or serious damage to the mounting clamp and/or rim.

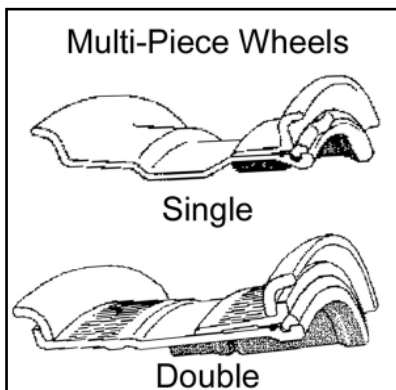
**⚠DANGER**

Do not inflate the tire on the machine. This machine is not an inflation device. For inflation place the wheel in an approved inflation restraint device. Refer to OSHA standard number 1910.177.



**Demounting Tires From Multi-Piece Rim/Wheel Assemblies (Tube Type Tires)**

The multi-piece split-rim/wheel assembly can be in single or multi-piece configurations.



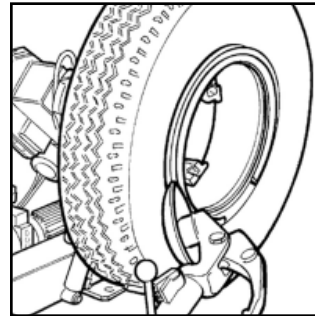
**NOTE:**

Always consult the tire /wheel manufacturer for information if you are uncertain of Rim/wheel configuration.

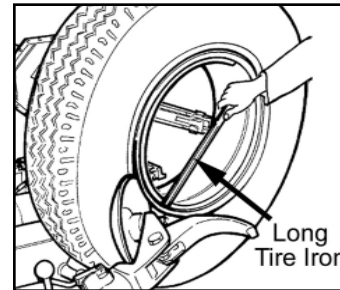
1. Remove all wheel-weights from the rim. Remove the valve stem or core and deflate the tire completely.

2. Position the tool close to the rim edge.

3. Turn the chuck counterclockwise and loosen the bead as described previously. Do not lubricate.



4. To remove the lock ring, squeeze one edge with the tire iron bar and place the bead loosener disc as shown.

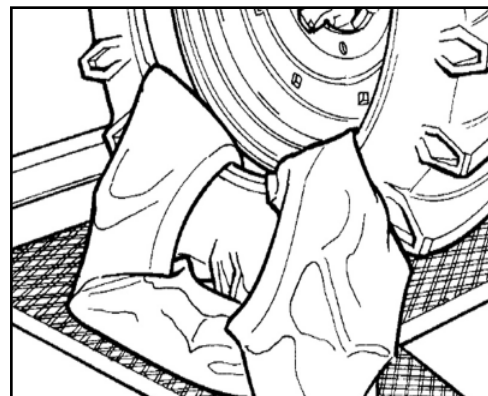


5. Turn the chuck clockwise (or counterclockwise) until the lock ring is completely removed.

**⚠DANGER**

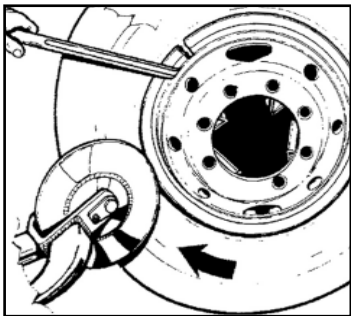
No one should stand in front of the wheel when removing the lock ring.

6. Continue to demount all components of the rim manually or with the disc tool. When loosening the inner bead be sure not to damage the valve stem.



## Mounting Tires Onto Multi-Piece Rim/Wheel Assemblies

1. Roll the tire onto the sliding table (the tube and flap must first be in place). For tube type only, the valve should be placed at 12 o'clock, for easier mounting.
2. Slide the tire onto the rim with the sliding table or with the bead loosener disc, if necessary.
3. Mount all the assembly components.
4. Engage one edge of the lock ring in its seat and complete the mounting process with the bead loosener disc. In the initial mounting phase hold the rim edge in its seat with a tire iron bar.



### **⚠ DANGER**

Do not inflate the tire on the machine.  
This machine is not an inflation device. For inflation place the wheel in an approved inflation restraint device.  
Refer to OSHA standard number 1910.177.



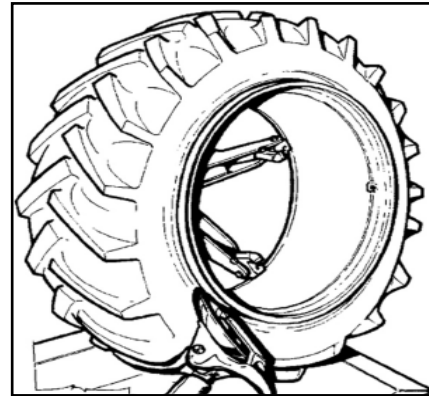
## Demounting Tractor and O.T.R. Wheels With One-Piece Rims

### **⚠ WARNING**

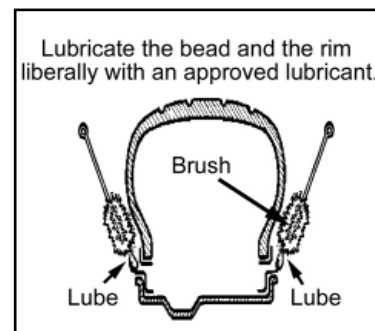
O.T.R. tires and rims are very heavy and an outside lifting tool may be required.

These wheels may be tube-type or tubeless. The rim has a slight conical surface and a very high rim flange which does not allow you to demount both beads at the same time with the disc as described earlier.

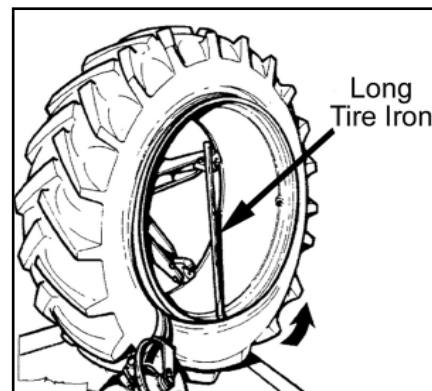
1. Remove all wheel-weights from the rim. Remove the valve stem or core and deflate the tire completely.
2. Place the disc tool next to the rim edge and loosen tire inner bead.
3. Loosen the outer bead in the same way, taking care not to damage the valve stem.



4. Lubricate both beads and the rim surface.



5. Place the hook tool between the bead and rim then lift the horizontal chuck arm to move the hook tool away from the rim edge (1" or 2-3 cm). Move the tool towards the outside to apply the long tire iron bar.



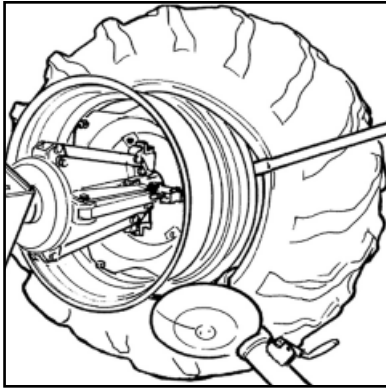
6. Turn the chuck counterclockwise until the outer bead is completely demounted. If the tire is a tube-type, push the valve stem towards the inside of the rim then lift the tool holder arm to the rest position. Shift the tire from the rim, by moving the sliding carriage towards the outside. This will make it much easier to remove the tube.



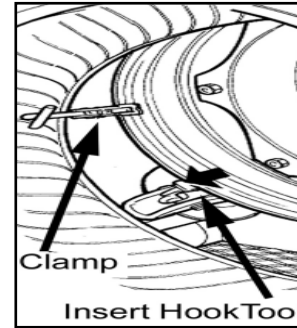
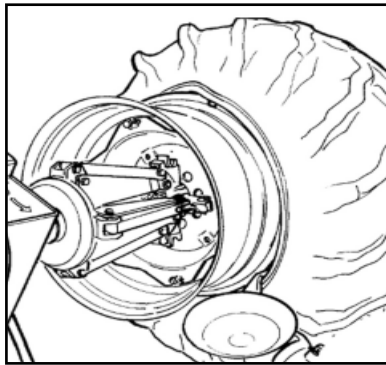
## Mounting Tractor And O.T.R. Wheels On One-piece Rims

1. Liberally lubricate both beads and the rim.
2. Firmly fit the mounting clamp to the outer rim flange at 9 o'clock. Roll the tire onto the sliding table and position it over the mounting clamp attached to the rim edge.
3. Place the hook about (1" or 2-3 cm) away from the rim edge and (1" or 2-3 cm) to the outside.

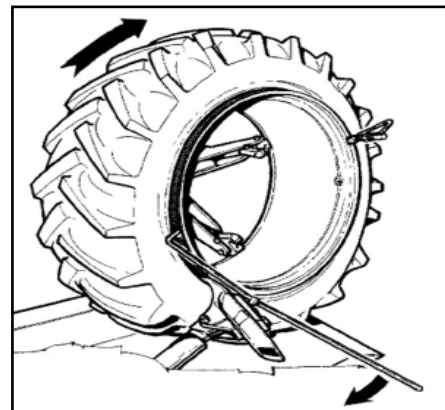
7. Place the hook tool as shown. The edge of the hook should be about 1" (2-3 cm) away from the rim edge and about 1" (2-3 cm) to the outside. Put the long tire bar in between the bead and the rim.



8. Rotate the chuck counterclockwise until the tire is completely demounted.



4. Turn the chuck clockwise until the first bead is mounted. Remove the clamp.
5. Place the tube (if any) in the tire and secure the valve stem to the rim.
6. Firmly fit the mounting clamp to the outer rim edge at 11 o'clock with the valve stem at 10 o'clock in such a way as to hold the outer bead. If necessary make use of the tool to create the space to fit the clamp.
7. Place the hook tool as described then rotate the chuck clockwise till the tire bead is completely mounted. If necessary, use the bead bar to keep the bead in the drop center.



**⚠ DANGER**

During the final phase of the demounting operation remove the tire bar and hold the tire with both hands, in order to keep it in a vertical position.

**⚠ DANGER**

Do not inflate the tire on the machine. This machine is not an inflation device. For inflation place the wheel in an approved inflation restraint device. Refer to OSHA standard number 1910.177.

## MAINTENANCE INSTRUCTIONS

Read and follow all the maintenance instructions provided in this manual to keep the machine in good operating condition. Regular inspections and proper maintenance are essential to preventing accidents and injuries. These instructions will help you service the unit. Instructions are for a person with some mechanical ability and training. No attempt has been made to describe all basic steps like how to loosen or tighten fasteners. Basic procedures such as cycling systems and checking operation of the equipment are not fully described since they are described in this manual. Do not attempt to perform work beyond your ability or at which you have no experience. If you need assistance, call an authorized service center or contact the factory.

### **⚠ DANGER**

The motor on this machine contains high voltage. Disconnect power at the receptacle before performing any electrical repairs. Secure plug so that it cannot be accidentally plugged in during service.

#### DAILY

- ◆ On a daily basis, inspect the unit and check to be certain that all systems are operating normally. Follow detailed inspection and testing procedures as specified for various components at regular intervals.
- ◆ Replace any damaged or missing safety decal's. They are available from the factory.
- ◆ Make sure all fasteners are securely tightened and all safety locks, controls, knobs, hooks, pins and guards and covers are in place and operating correctly.
- ◆ Check for worn, damaged or missing parts. Replace them before allowing the unit to be used.

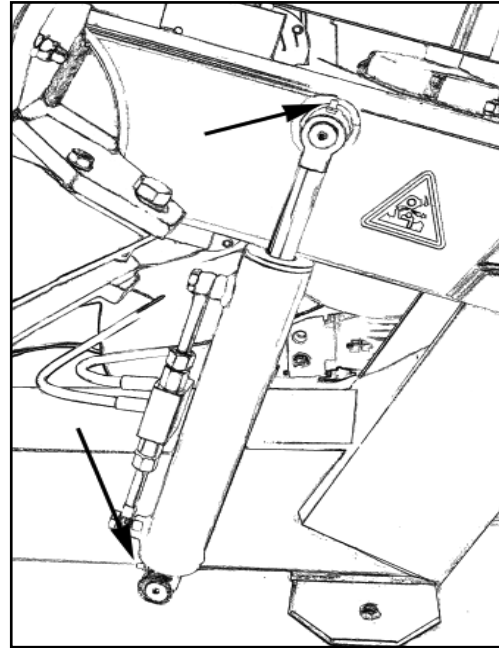
#### MONTHLY

- ◆ Check operation of the mount/demount tool holder.
- ◆ The sliding table / carriage, clamps, bead breaking head, and other working surfaces should be cleaned with a vaporizing solvent every month.

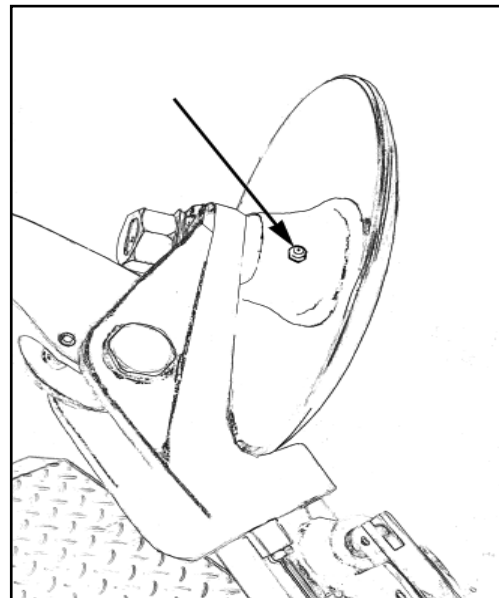
## EVERY SIX WEEKS

Grease periodically the following parts, after having cleaned them carefully with diesel oil:

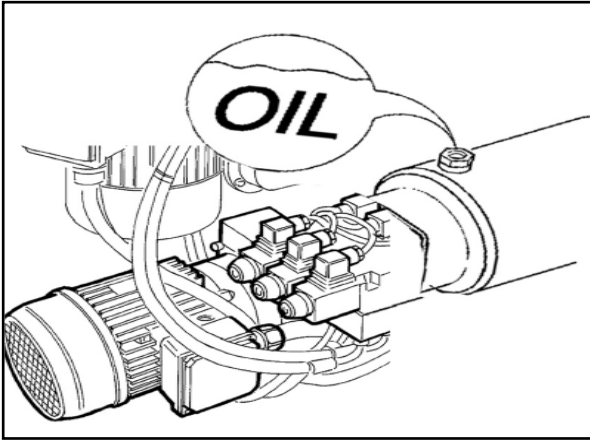
- ◆ Carriage slides.
- ◆ Horizontal tool holding arm spindle.
- ◆ Grease the horizontal arm lifting cylinder.



- ◆ Grease the Bead Breaking Disc Shaft.



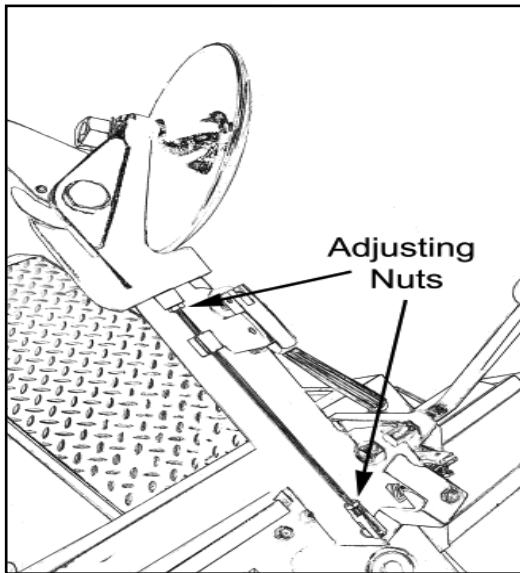
- ◆ Periodically check the oil level inside the hydraulic power unit with the scale and add if necessary. Before checking fluid, all cylinders must be completely retracted.



**⚠ DANGER**

Over riding the Tool Arm Lock can cause the Tool arm to spring upwards violently causing serious injury.

- ◆ Periodically adjust the Mechanical tool arm tip lock device. Prevents the arm from being moved to its "non-working position" if the Tool Head Assembly has been removed.





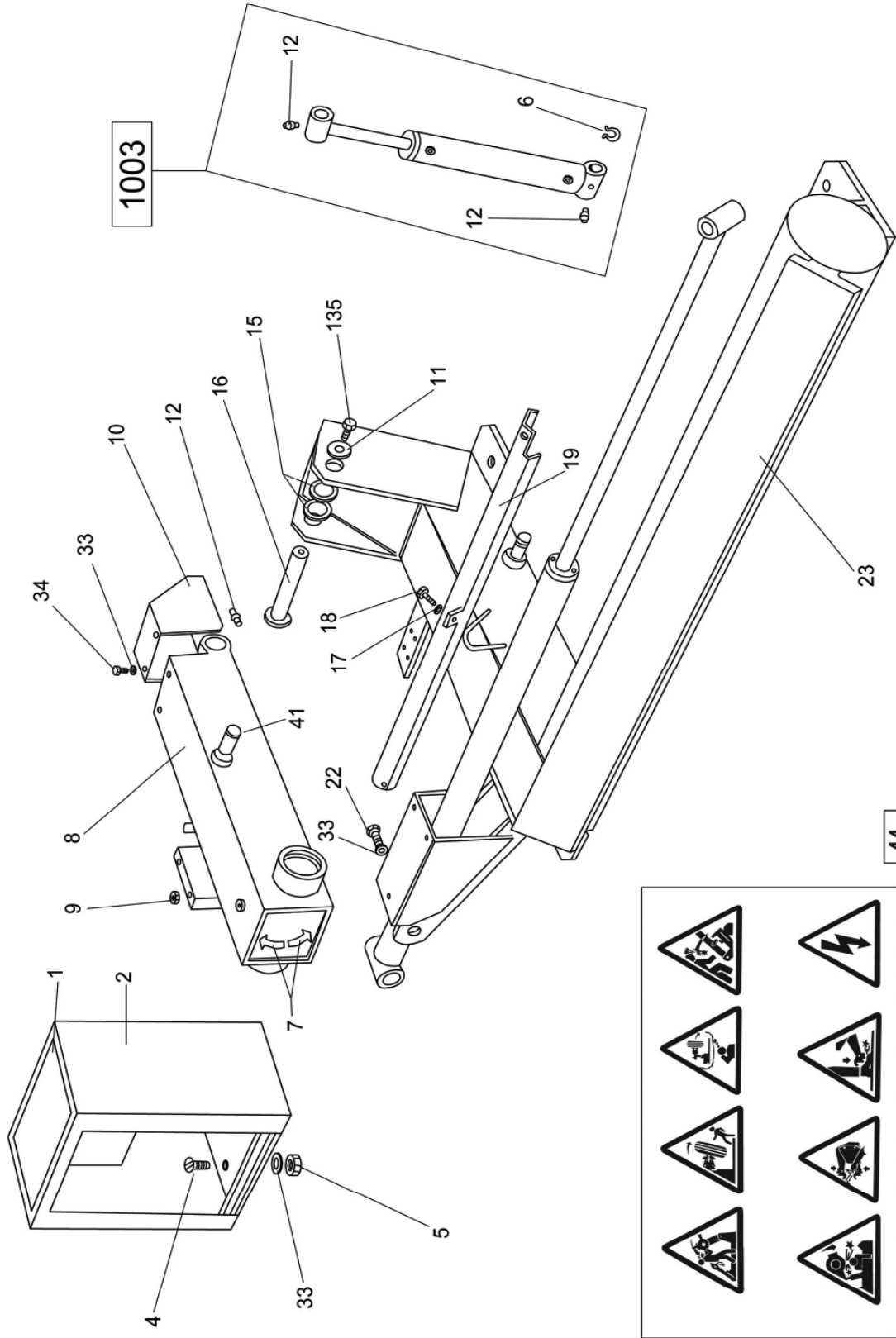
# **⚠ DANGER**

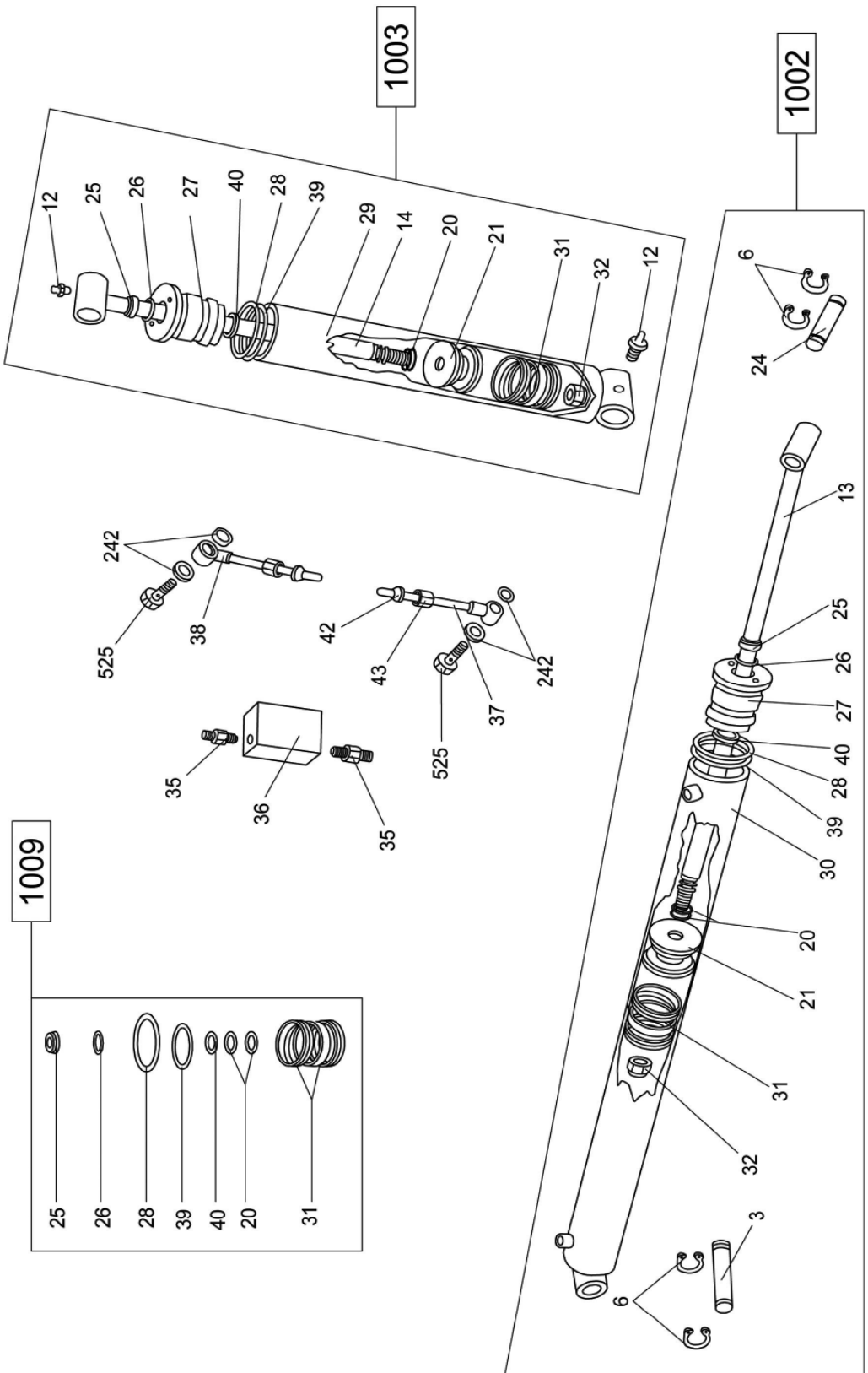
## **DANGER!**

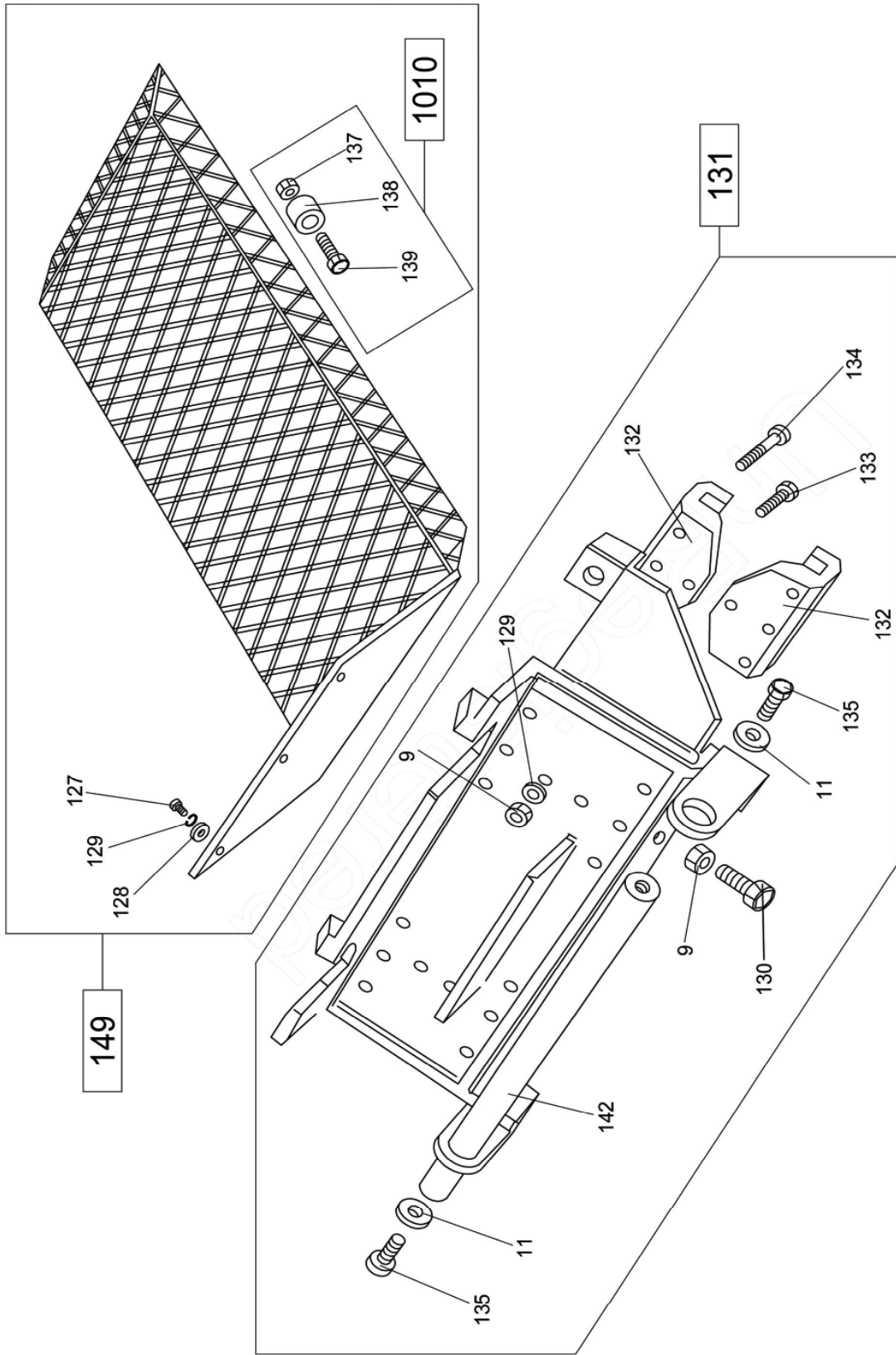
**This machine contains High Voltage.  
Disconnect power at the receptacle before performing any electrical repairs.  
Secure plug so that it cannot be accidentally plugged in during service.**

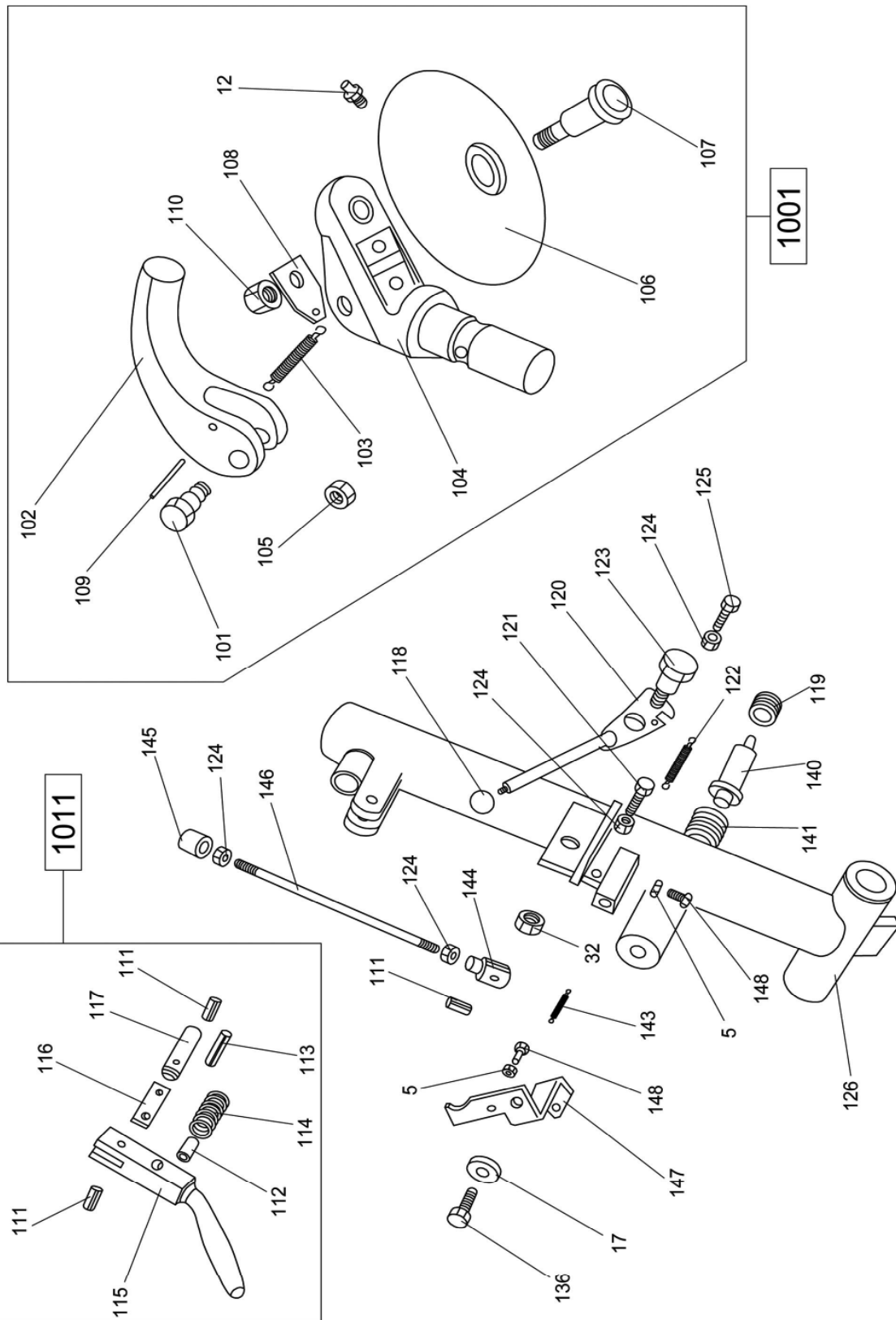
<b>TROUBLESHOOTING</b>		
<b>Trouble</b>	<b>Cause</b>	<b>Remedy</b>
Pump motor turns but none of the hydraulic movements work.	<ul style="list-style-type: none"><li>◆ The automatic circuit breaker is off</li><li>◆ Low voltage section fuse is blown.</li><li>◆ Transformer is burned out.</li></ul>	<ul style="list-style-type: none"><li>◆ Disconnect the machine from electric supply. Open the electric cabinet and check the automatic circuit breaker and low voltage fuses. Reset the circuit breaker or replace the fuses as needed.</li></ul>
Pump motor does not turn but the chuck motor operates normally.	<ul style="list-style-type: none"><li>◆ The thermal safety switch protecting the hydraulic motor is/was activated.</li></ul>	<ul style="list-style-type: none"><li>◆ Disconnect the machine from electric supply. Open the electric cabinet and check the automatic circuit breaker and low voltage fuses. Reset the circuit breaker or replace the fuses as needed.</li><li>◆ Call an authorized service center for assistance.</li></ul>
The thermal switch that protects the pump motor trips.	<ul style="list-style-type: none"><li>◆ The voltage of the electric line is too low.</li></ul>	<ul style="list-style-type: none"><li>◆ Check voltage on electric supply.</li><li>◆ Call an authorized service center for assistance.</li></ul>
The circuit breaker trips.	<ul style="list-style-type: none"><li>◆ The machine is not stable on the floor.</li><li>◆ The electric cabinet is not firmly attached.</li><li>◆ The voltage of the electric line is too low.</li></ul>	<ul style="list-style-type: none"><li>◆ Check that the machine is securely bolted to the floor.</li><li>◆ Attach the electric cabinet firmly.</li><li>◆ Call an authorized service center for assistance.</li><li>◆ Check voltage on electric supply.</li></ul>
The transformer protection fuses easily blow.	<ul style="list-style-type: none"><li>◆ Short circuit in the electric cord connecting the portable control unit to the electric cabinet.</li></ul>	<ul style="list-style-type: none"><li>◆ Call an authorized service center for assistance.</li></ul>
The chuck does not hold the wheel firmly.	<ul style="list-style-type: none"><li>◆ The teeth of the chuck jaws are full of dirt or worn out.</li><li>◆ The light alloy wheel protectors are damaged or worn out.</li><li>◆ The check valve or manifold of the chuck cylinder leaks oil.</li></ul>	<ul style="list-style-type: none"><li>◆ Clean the teeth of the chuck jaws with a wire brush.</li><li>◆ Replace the light alloy wheel protectors .</li><li>◆ Call an authorized service center for assistance.</li></ul>

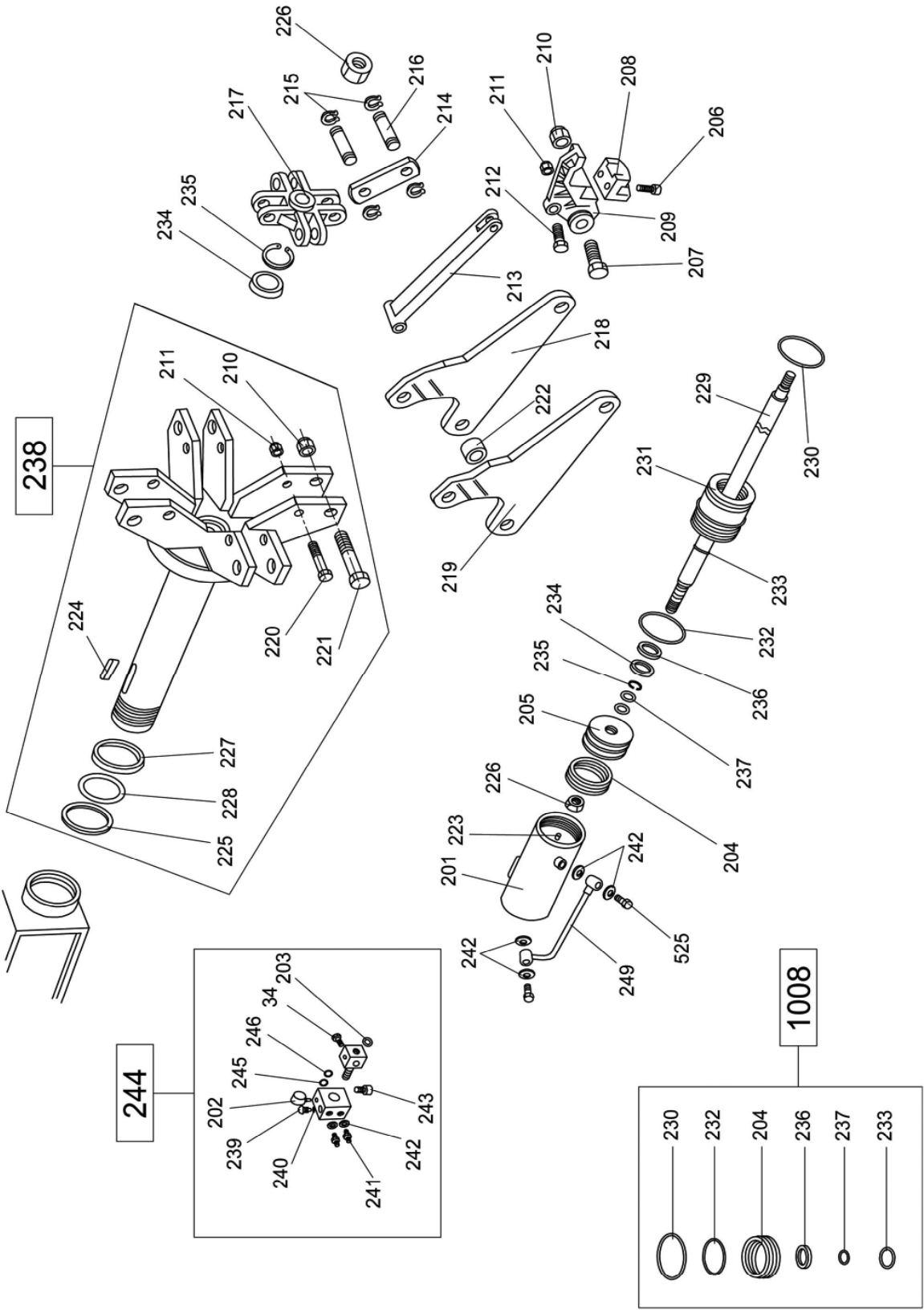


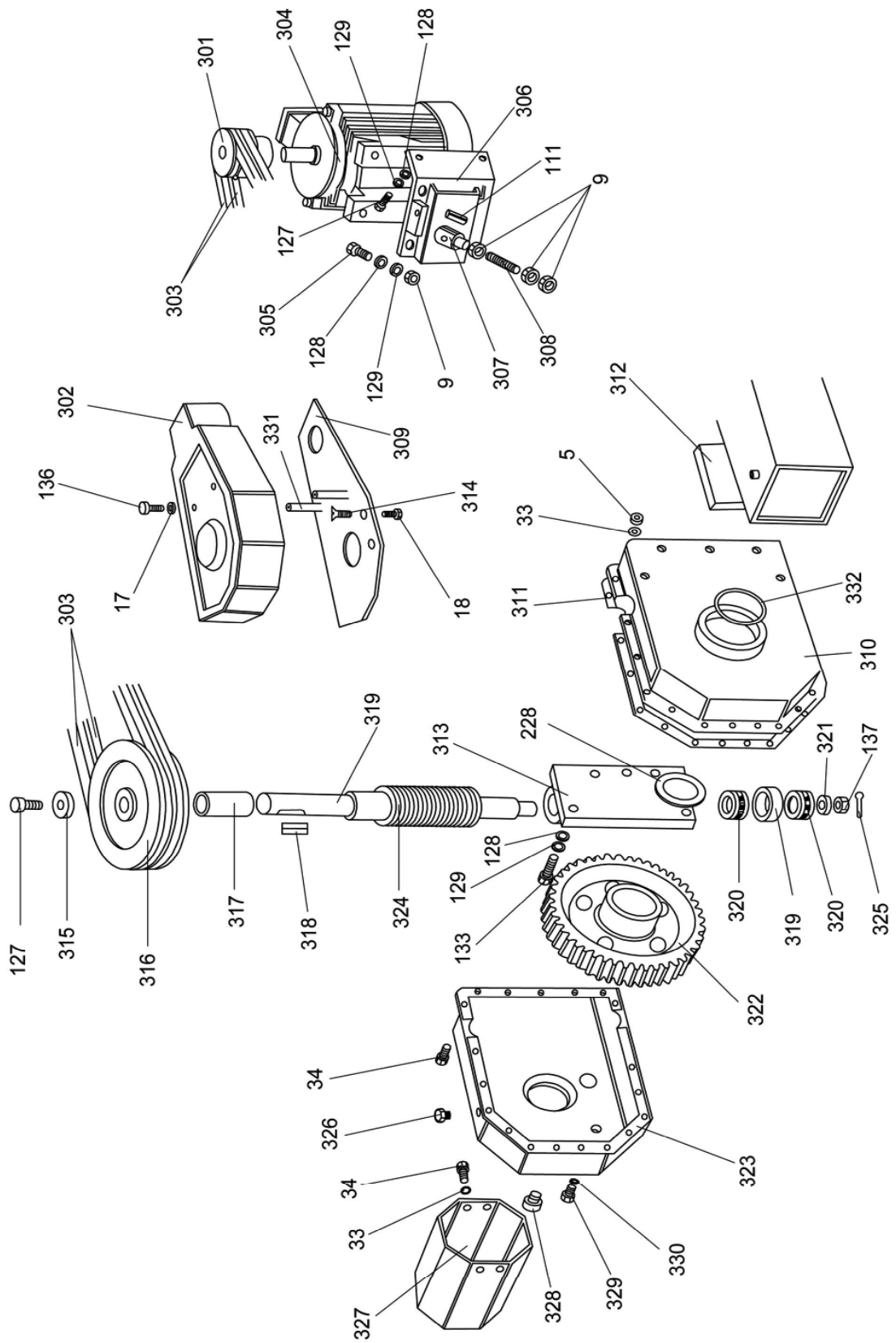


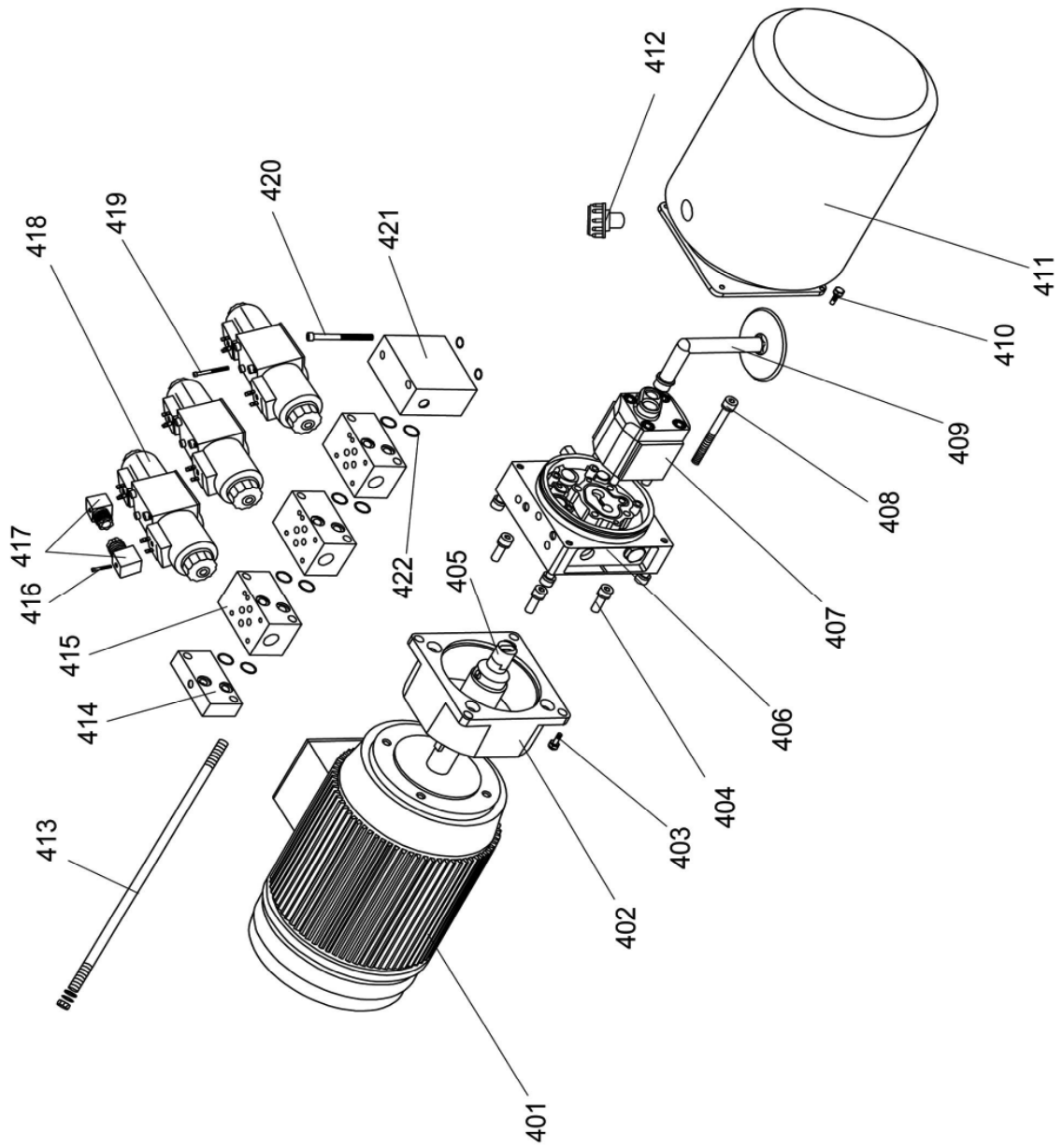


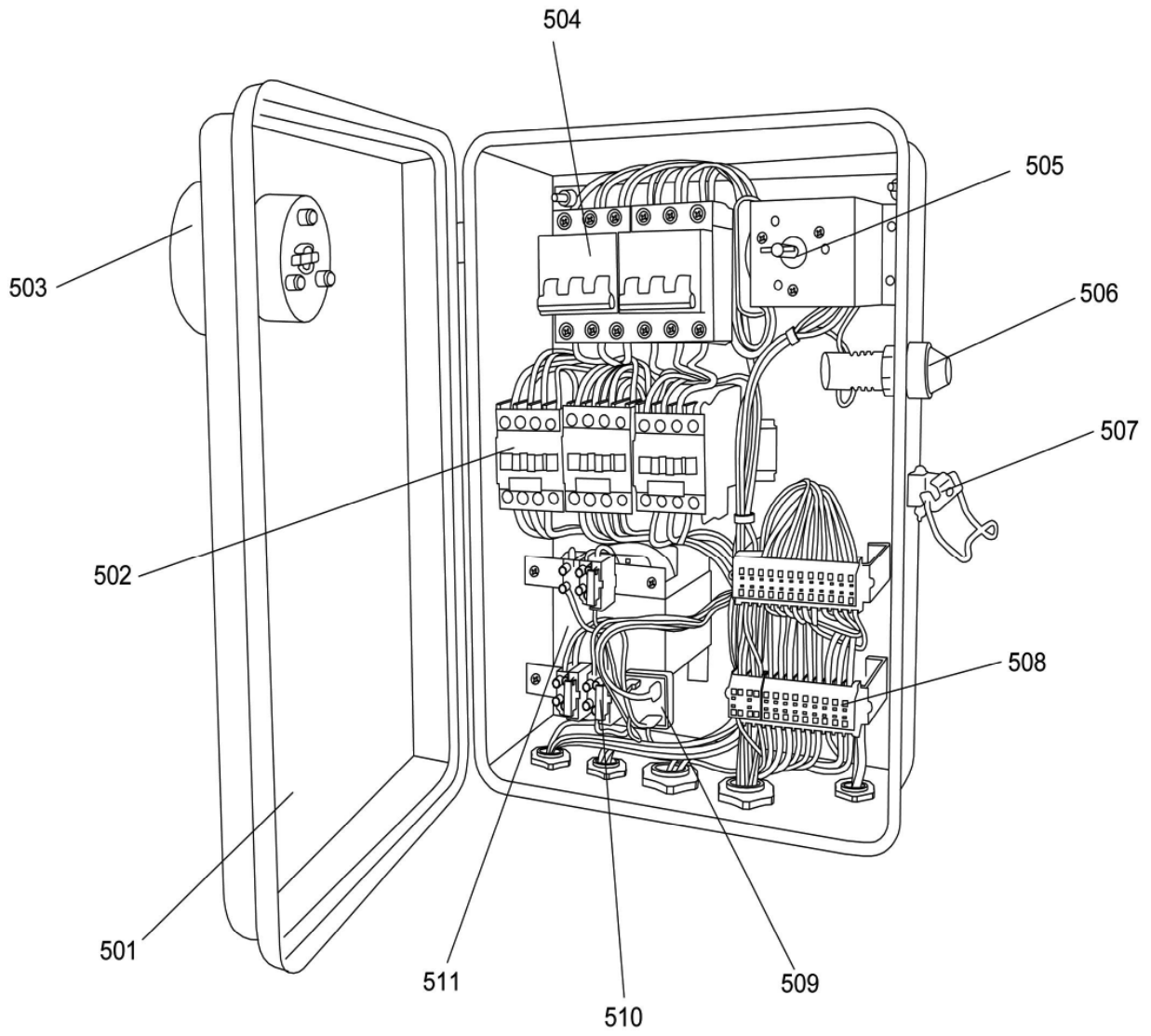




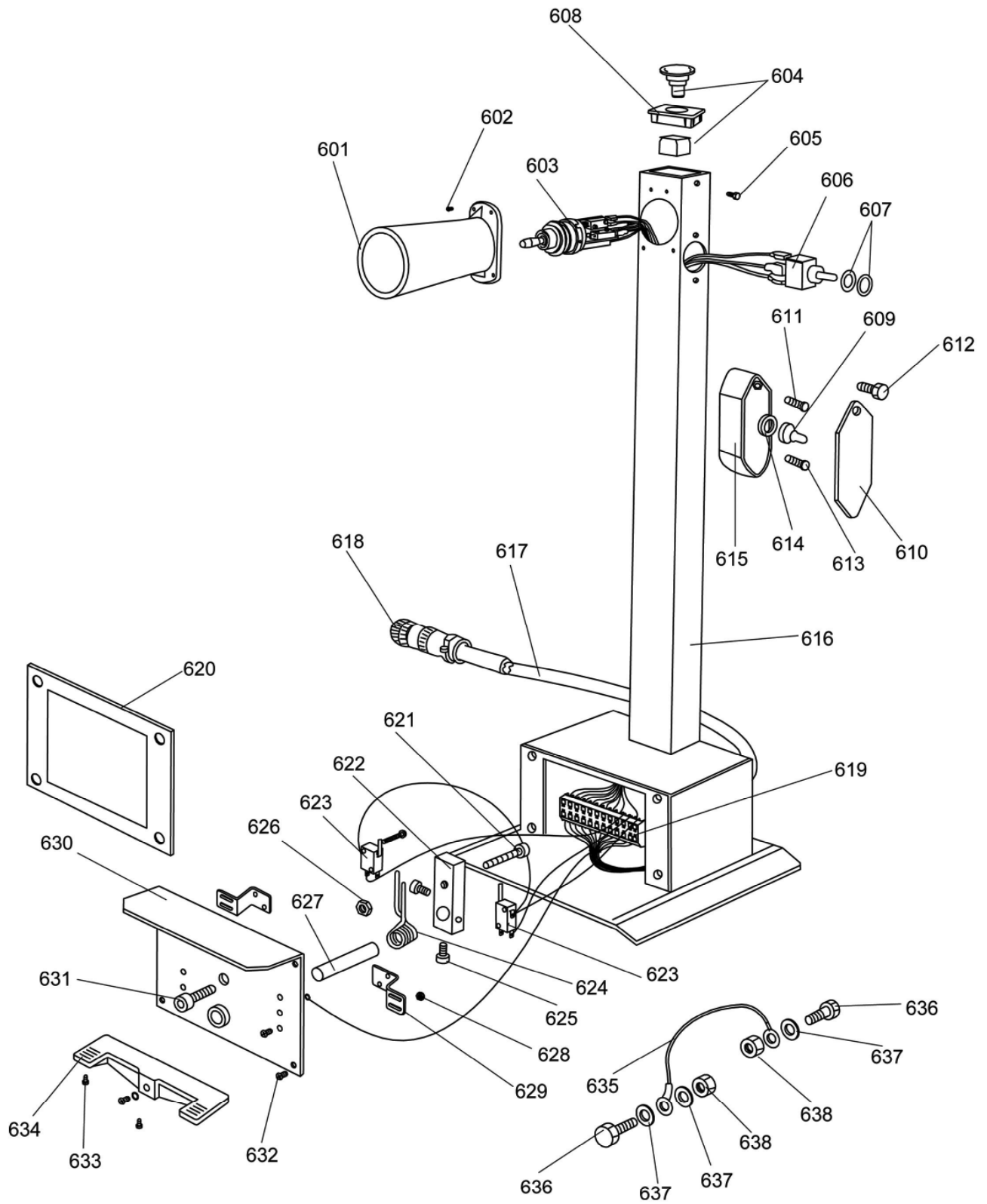


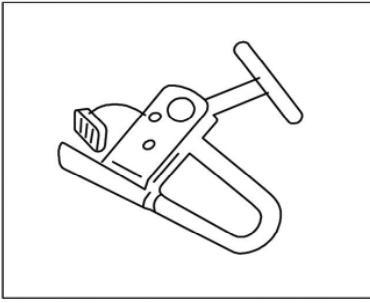




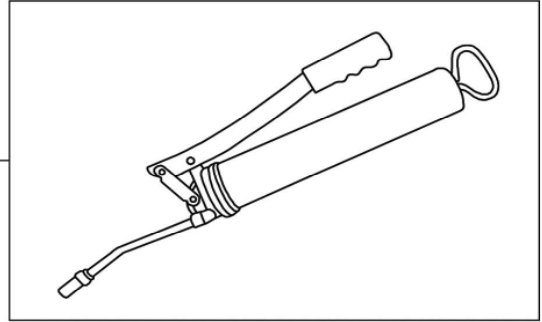




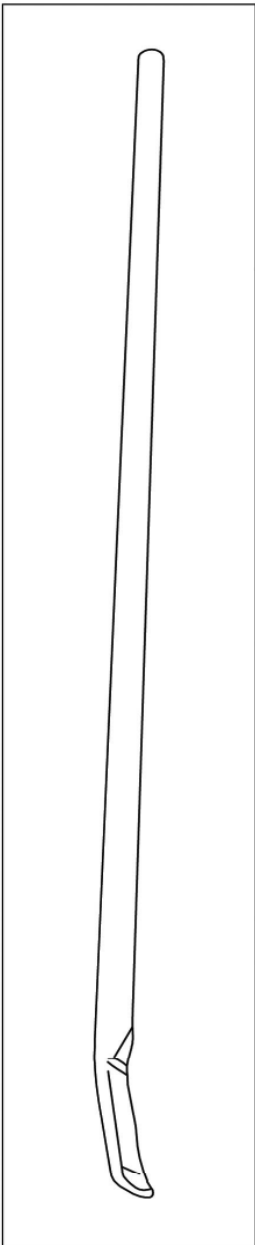




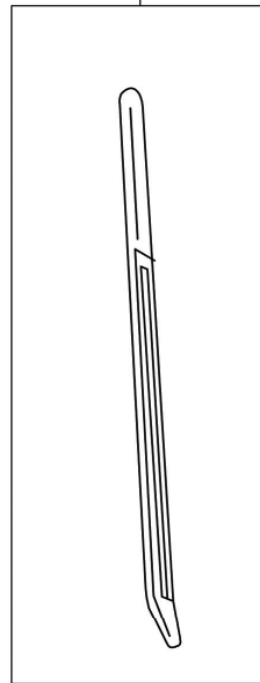
701



704



703

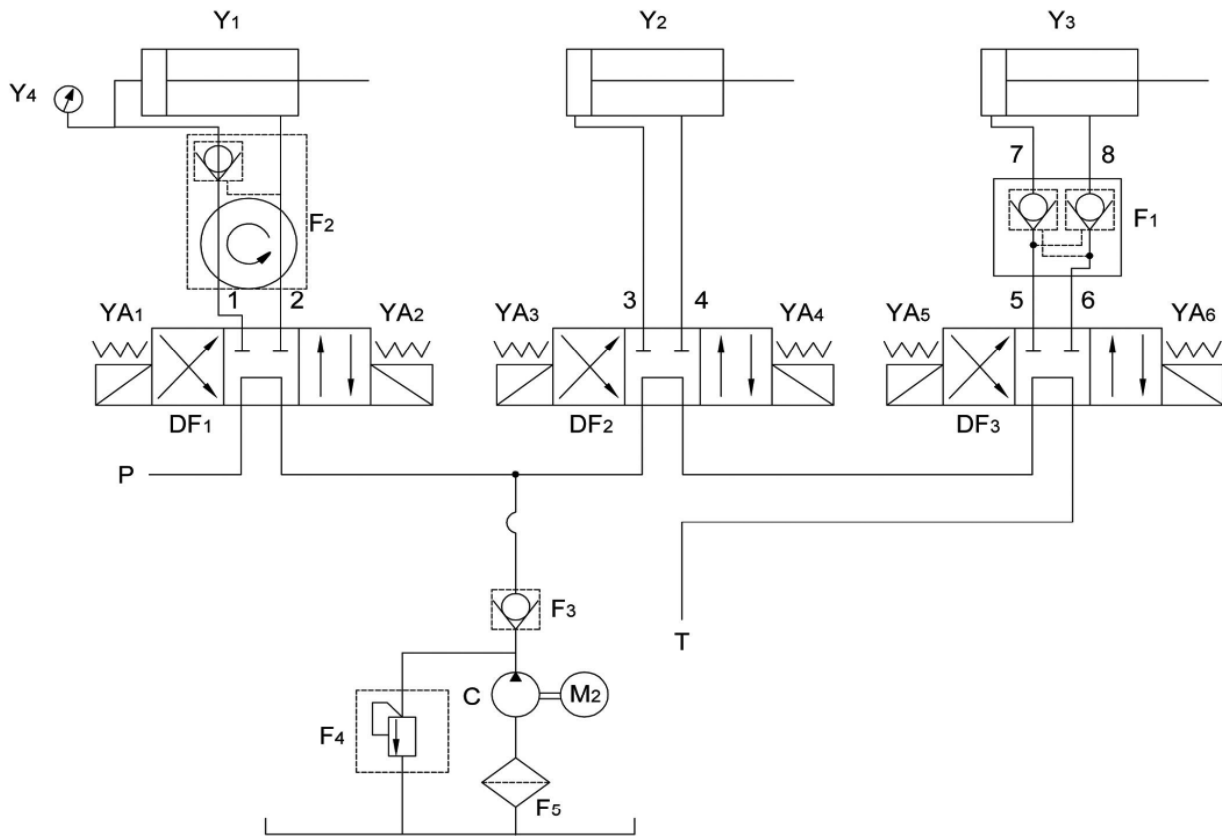


702

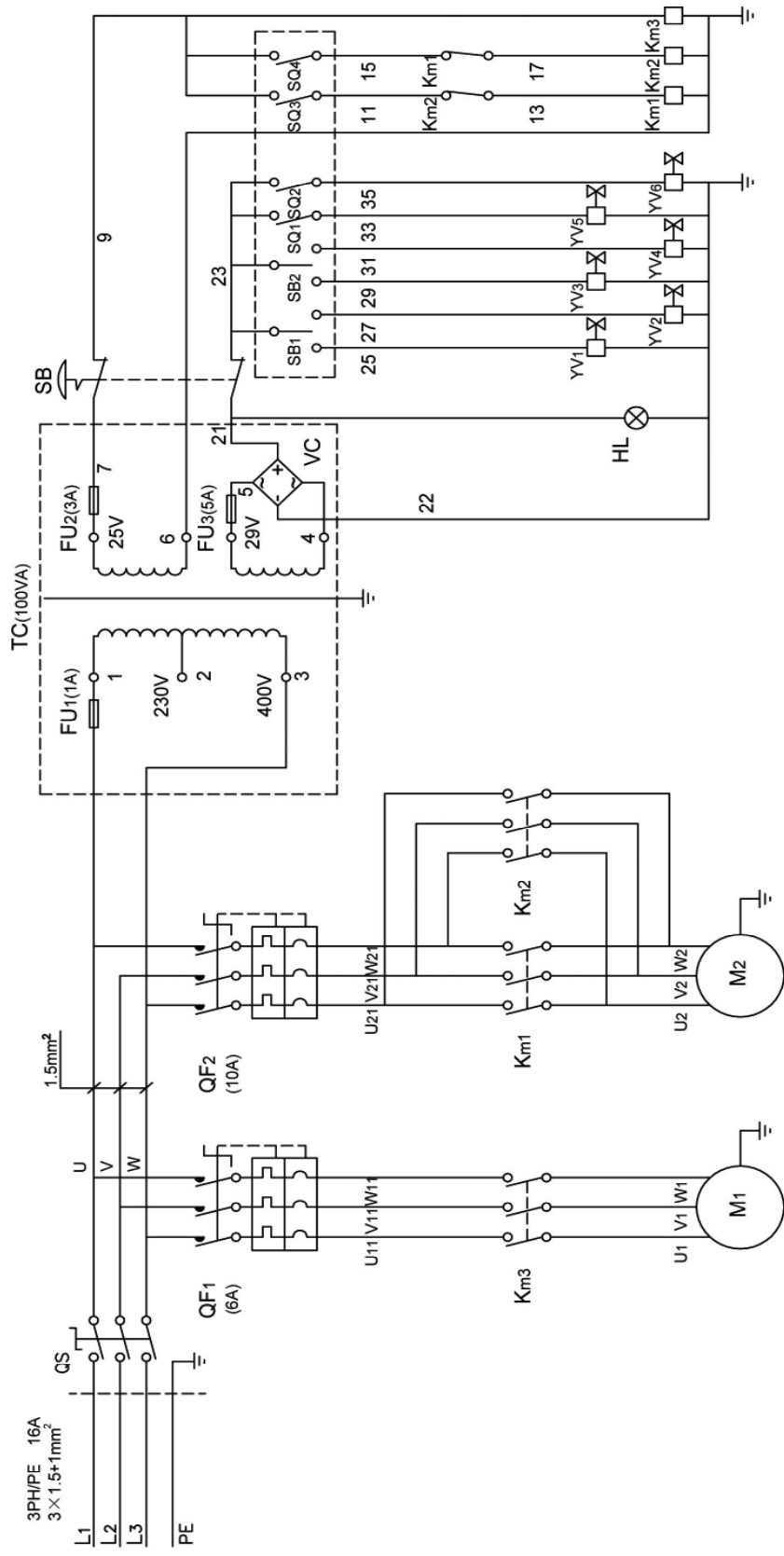
Item #	DESCRIPTION		
1	Electrical Box Lid; R26FLT	121	Screw M8X45
2	Electrical Box; R26FLT	122	Arm Release Lever Spring; R26FLT
3	L/R Cylinder Long Pin; R26FLT	123	Arm Release Lever Pivot Bolt; R26FLT
4	Screw M6X20	124	Nut M8
5	Nut M6	125	Screw M8X25
6	M24 Snap Ring	126	Tool Head Arm; R26FLT
7	NA	127	Screw M10X20
8	Up/Down Arm; R26FLT	128	Washer Φ10.5
9	Nut M10	129	Washer Φ8
10	Lifting Arm Cover; R26FLT	130	Screw M10X30
11	Washer Φ5X16X135	131	Slideing Carriage Assembly; R26FLT
12	Zerk Fitting	132	Slideing Carriage Guide; R26FLT
13	Left/Right Cylinder Shaft; R26FLT	133	Screw M10X30 (70)
14	Up/Down Cylinder Shaft; R26FLT	134	Screw M10X70 (70)
15	Washer	135	Screw M12X12
16	Up/Down Arm Pin; R26FLT	136	Screw M8X20
17	Washer Φ8	137	Nut M16
18	Screw M8X12	138	Tire Ramp Roller; R26FLT
19	Left/Right Cylinder Cover; R26FLT	139	Screw M16X90
20	O-Ring Φ20x2.4	140	Tool Head Arm Ejector; R26FLT
21	Up/Down Cylinder Piston; R26FLT	141	Tool Head Arm Ejector Spring; R26FLT
22	Screw M6X10	142	Tool Head Arm Guide; R26FLT
23	Main Body; R26FLT	143	Tool Head Arm Lock Spring; R26FLT
24	Left/Right Cylinder Short Pin; R26FLT	144	Tool Head Arm Lock Link; R26FLT
25	Dust Seal	145	Tool Head Arm Lock Cap; R26FLT
26	O-Ring Φ25x2.65	146	Tool Head Arm Lock Shaft; R26FLT
27	Ring Nut	147	Tool Head Arm Lock Bracket; R26FLT
28	O-Ring Φ60X3.1	148	Screw M6X25
29	Up/Down Cylinder Housing; R26FLT	149	Tire Ramp Assy; R26FLT
30	Left/Right Cylinder Housing; R26FLT	201	Jaw Clamp Cylinder Housing; R26FLT
31	Gasket for shaft YD50	202	Pressure Gauge; R26FLT
32	Self-locking nut M14	203	O-Ring Φ32X3.5
33	Washer	204	Gasket DAS 9575
34	Screw M6X16 (70)	205	Jaw Clamp Cylinder Piston; R26FLT
35	Zerk Fitting	206	Screw M8X25 (70)
36	Non-return Valve	207	Special Screw M18X1.5
37	Wheel Hose Φ8X10	208	Clamp Claw; R26FLT
38	Junction	209	Clamp Bracket; R26FLT
39	O-Ring Φ41.5X3.55	210	Self-Locking Nut M18
40	Gasket for shaft YD32	211	Self-Locking Nut M12
41	Up/Down Cylinder Pin; R26FLT	212	Special Screw M12
42	Coupling Φ8	213	Inner Jaw Clamp Link; R26FLT
43	Cover M14X1.5	214	Clamp Cylinder Connecting Link; R26FLT
44	Warning Stickers; R26FLT	215	M16 Snap Ring
101	Hook Bolt; R26FLT	216	Connecting Link Pin; R26FLT
102	Hook; R26FLT	217	Middle Jaw Clamp Link; R26FLT
103	Hook Return Spring; R26FLT	218	Right Outer Jaw Clamp Link; R26FLT
104	Tool Head Mounting Bracket; R26FLT	219	Left Outer Jaw Clamp Link; R26FLT
105	Nut M16X1.5	220	Long Special Screw M12
106	Bead Breaker Disk; R26FLT	221	Long Special Screw M18X1.5
107	Bead Breaker Disk Bolt; R26FLT	222	Left/Right Clamp Link Bushing; R26FLT
108	Hook Spring Bracket; R26FLT	223	Screw M6X10 (up)
109	Expansile Pin Φ8X60	224	Key 60X20X12
110	Self-Locking Nut M20X1.5	225	O-Ring 619
111	Expansile Pin Φ6X20	226	Nut M24X2
112	Expansile Pin Φ10X20	227	Protection Ring
113	Expansile Pin Φ8X30	228	Washer Φ75X91X0.5
114	Tool Head Lever Spring; R26FLT	229	Jaw Clamp Cylinder Shaft; R26FLT
115	Tool Head Lever; R26FLT	230	O-Ring Φ90X5.7
116	Tool Head Lever Link; R26FLT	231	Front Flange for Cylinder Φ95
117	Tool Head Lever Pin; R26FLT	232	O-Ring Φ87.5X3.55
118	Tool Head Arm Release Knob; R26FLT	233	O-Ring Φ34X3.1
119	Screw M8X45	234	Nylon Guide Ring
120	Tool Head Arm Release Lever; R26FLT	235	Seeger Ring Int. Φ50
		236	Gasket YD35
		237	O-Ring Φ20X2.4

238	Rotating Jaw Clamp Brk Assy; R26FLT	501	Electrical Box Door; R26FLT
239	Unilateralism Valve	502	Large Contactor; R26FLT
240	Washer JB982-77	503	On/Off Switch Knob; R26FLT
241	Fitting M14-M14 (Convex)	504	Circuit Breaker; R26FLT
242	Copper Washer M14.5	505	On/Off Switch; R26FLT
243	Fitting M14-M14 (Concave)	506	On/Off Light; R26FLT
244	Rotating Union Assembly; R26FLT	507	Electrical Box Latch; R26FLT
245	O-Ring $\Phi$ 31.5X2.65	508	Terminal Block
246	Washer $\Phi$ 35.9X31.5X1.5	509	Rectifier
249	Copper Hydraulic Line; R26FLT	510	Fuse
		511	Transformer
301	Motor Pulley; R26FLT		
302	Pully Cover; R26FLT		
303	Motor Belt; R26FLT	601	4 Position Control Switch Cover; R26FLT
304	Electric Motor; R26FLT	602	Screw
305	Screw M10X25	603	4 Position Control Switch; R26FLT
306	Motor Mounting Bracket; R26FLT	604	Emergency Stop Switch; R26FLT
307	Yoke End with Pin	605	Screw
308	Tie Bar	606	Open/Close Jaw Clamp Switch; R26FLT
309	Pully Cover Support; R26FLT	607	Washer
310	Gearbox Rear Cover; R26FLT	608	Emergency Switch Bracket; R26FLT
311	Gearbox Gasket; R26FLT	609	Open/Close Jaw Switch Cover; R26FLT
312	Cover Plate Gasket; R26FLT	610	Open/Close Jaw Switch Box Cover; R26FLT
313	Worm Screw Support; R26FLT	611	Screw
314	Screw M10X30	612	Screw
315	Washer	613	Screw
316	Gearbox Pulley; R26FLT	614	Washer
317	Gearbox Pulley Spacer; R26FLT	615	Open/Close Jaw Switch Box; R26FLT
318	Key 8X7	616	Control Pod Frame; R26FLT
319	Radial Bearing	617	Control Pod Wire Harness; R26FLT
320	Thrust Bearing	618	Control Pod Wire Harness Plug; R26FLT
321	Washer $\Phi$ 38X16.2X5	619	Terminal Block
322	Helical Gear; R26FLT	620	Foot Pedal Seal; R26FLT
323	Gearbox Front Cover; R26FLT	621	Screw
324	Worm Screw Threaded Section; R26FLT	622	Foot Pedal Mounting Bracket; R26FLT
325	Pin	623	Foot Pedal Switch; R26FLT
326	Gearbox Fill Plug; R26FLT	624	Foot Pedal Return Spring; R26FLT
327	Jaw Clamp Cylinder Cover; R26FLT	625	Screw
328	Oil Sight Glass; R26FLT	626	Screw Cap
329	Gearbox Oil Plug; R26FLT	627	Foot Pedal Pivot Shaft; R26FLT
330	Gearbox Oil Plug O-Ring; R26FLT	628	Screw Cap
331	Pully Cover Support Bracket; R26FLT	629	Foot Pedal Switch Bracket; R26FLT
332	O-Ring $\Phi$ 105X3.7	630	Foot Pedal Front Plate; R26FLT
		631	Screw
401	Hydraulic Motor; R26FLT	632	Screw
402	Hydraulic Pump Outer Housing; R26FLT	633	Screw
403	Screw	634	Foot Pedals; R26FLT
404	Screw	635	Connection Wire
405	Pump Drive Shaft; R26FLT	636	Screw
406	Hydraulic Pump Inner Housing; R26FLT	637	Washer
407	Hydraulic Pump; R26FLT	638	Screw Cap
408	Screw		
409	Hydraulic Pump Oil Strainer; R26FLT	701	Mounting Clamp
410	Screw	702	Pry Bar
411	Hydraulic Oil Tank; R26FLT	703	Large Pry Bar
412	Hydraulic Oil Dipstick; R26FLT	704	Lever Grease Gun; R26FLT
413	Manifold Connecting Screw; R26FLT	1001	Tool Head Assy; R26FLT
414	Manifold End Cap; R26FLT	1002	Left / Right Cylinder Assy; R26FLT
415	Manifold Block; R26FLT	1003	Up/Down Cylinder Assy; R26FLT
416	Screw	1008	Jaw Clamp Cylinder Seal Kit; R26FLT
417	Hydraulic Solenoid Conector; R26FLT	1009	Lifting/Sliding Cyl Seal kit; R26FLT
418	Hydraulic Solenoid; R26FLT	1010	Tire Ramp Assy; R26FLT
419	Screw	1011	Tool Head Lever Assy; R26FLT
420	Screw		
421	Pump to Manifold Block; R26FLT		
422	O-Ring		

## Hydraulic Schematic



NUMBER	NAME	MODEL	QUANTITY
Y <sub>1</sub>	THICK HYDRAULIC CYLINDER	TG Φ95×200	1
Y <sub>2</sub>	LONG HYDRAULIC CYLINDER	TG Φ50×1000	1
Y <sub>3</sub>	SHORT HYDRAULIC CYLINDER	TG Φ50×380	1
Y <sub>4</sub>	PRESSING METER	Y-40	1
1、2	ASSEMBLY OF SQUARE BEND AND PIPE	GPU Φ6-1-4UMPa1200	2
3、5、6	STRAIGHTWAY FOUND PIPE JOINT	GPU Φ6-1-4UMPa880	3
4	STRAIGHTWAY FOUND PIPE JOINT	GPU Φ6-1-4UMPa1520	1
7	HYDRALIC CYLINDER TIE-IN	TG Φ8×140	1
8	HYDRALIC CYLINDER TIE-IN	TG Φ8×105	1
M <sub>2</sub>	MOTOR	Y-90L4	1
F <sub>1</sub>	HYDRAULIC LOCK	TGF-YS6	1
F <sub>2</sub>	ROTARY PIPE JOINT	TGF-HJ4	1
F <sub>3</sub>	CHECK VALVE	TGF-DC6C	1
F <sub>4</sub>	RELIEF VALVE	TGF-YL4-C	1
F <sub>5</sub>	HYDRAULIC FILTER	TGL-M18	1
DF <sub>1</sub> -DF <sub>3</sub>	HYDRAULIC SOLENOID VALVE	4WE6E61/CG24	3
C	GEAR PUMP	CBK-2.5	1
P	FEED OIL CIRCUIT		
T	BACK OIL CIRCUIT		



QS	Main switch	FU1-FU3	Fuse
QF1	Pump switch	VC	Rectifier
QF2	Motor switch	HL	LED
K <sub>m1</sub>	Motor clockwise contactor	YV1-YV6	Solenoid valve
K <sub>m2</sub>	Motor anticlockwise contactor	SB1 SB2	Crossing switch
K <sub>m3</sub>	Pump power switch	SQ1 SQ2	Bottom switch
M1	Pump motor	SQ3 SQ4	Microswitch
M2	Turning motor	SB	Power switch
TC	Transformer		

YS8034 1.5kW  
Y90L4 1.8kW



**Brand: Ranger**  
**Model: RWS-150WL**  
**Description: Pneumatic Mobile Wheel Lift**

With the Ranger RWS-150WL you can increase productivity by eliminating cumbersome lifting, mounting, and transporting of passenger and light truck tires, bus and coach tires, commercial truck tires and wheels or other heavy vehicle components such as doors or tailgates. The pneumatic powered mobile productivity lift makes handling those tasks easier and much safer. The RWS-150WL can accommodate wheel assemblies up to 150 pounds and features cradle rollers that allow wheels to spin for simple lug nut alignment.



**FEATURES**

- Lightweight self-standing design offers portability and maximum stability.
- Dual parking brakes ensure the lift remains stable and will not move when in use.
- Enclosed lifting carriage and cylinder protect it from dirt and other debris.
- The base plate frame is dropped over the wheel assemblies to provide a lower center of gravity to reduce tipping.
- All caster wheels rotate a full 360° for greater maneuverability and easier movement.
- Simple one hand operation for raising and lowering the lift.
- Offset column gives access to lug nuts and allows unobstructed viewing of work area.
- Features air regulator, water filter and lubricator for maintenance free pneumatic operation.
- Welded steel construction.
- Powder coat finish.



**SPECIFICATIONS**

- Lifting capacity: 150 lbs. / 68 kg.
- Lifting height / Top of Rollers: 36" / 915 mm.
- Dimensions: 75" x 33" x 27"
- Air Requirement – 90-150 PSI, 10-25 CFM



*The best automotive service equipment on the planet.*

**For Parts Or Service  
Contact:**

**BendPak Inc. / Ranger Products  
1645 Lemonwood Dr.  
Santa Paula, CA. 93060**

**Tel: 1-805-933-9970  
Toll Free: 1-800-253-2363  
Fax: 1-805-933-9160**

**[www.bendpak.com](http://www.bendpak.com)  
[www.rangerproducts.com](http://www.rangerproducts.com)**

pn# 5900218

