



# WARNING

PLEASE READ THE ENTIRE CONTENTS OF THIS MANUAL PRIOR TO INSTALLATION AND OPERATION. BY PROCEEDING YOU AGREE THAT YOU FULLY UNDERSTAND AND COMPREHEND THE FULL CONTENTS OF THIS MANUAL. FORWARD THIS MANUAL TO ALL OPERATORS. FAILURE TO OPERATE THIS EQUIPMENT AS DIRECTED MAY CAUSE INJURY OR DEATH.



# CAUTION

The safe operating temperature range for this product is 41° F. - 104 °F.

REV C 12-29-09

## INSTALLATION AND OPERATION MANUAL

**14,000 POUND CAPACITY  
COMMERCIAL GRADE  
FOUR-POST OPEN FRONT  
ALIGNMENT LIFTS**

**Model:  
HDO-14LSX**



**Do not operate this machine until you read and understand all the dangers, warnings and cautions in this manual.**

Keep this operation manual near the machine at all times. Make sure that ALL USERS read this manual.

### SHIPPING DAMAGE CLAIMS

When this equipment is shipped, title passes to the purchaser upon receipt from the carrier.

Consequently, claims for the material damaged in shipment must be made by the purchaser against the transportation company at the time shipment is received.

### BE SAFE

Your new lift was designed and built with safety in mind. However, your overall safety can be increased by proper training and thoughtful operation on the part of the operator. DO NOT operate or repair this equipment without reading this manual and the important safety instructions shown inside.



1645 Lemonwood Dr.  
Santa Paula, CA. 93060, USA  
Toll Free 1-800-253-2363  
Tel: 1-805-933-9970  
Fax: 1-805-933-9160  
www.bendpak.com

# 14,000 POUND CAPACITY, COMMERCIAL GRADE FOUR POST OPEN FRONT ALIGNMENT AUTO / TRUCK LIFT

This instruction manual has been prepared especially for you.  
Your new lift is the product of over 35 years of continuous research, testing and development;  
it is the most technically advanced lift on the market today.

**READ THIS ENTIRE MANUAL BEFORE INSTALLATION & OPERATION BEGINS.**

RECORD HERE THE LIFT AND  
POWER UNIT INFORMATION WHICH IS  
LOCATED ON THE SERIAL NUMBER  
DATA PLATES ON THE LIFT AND  
ON THE POWER UNIT

Power Unit Model # \_\_\_\_\_  
Power Unit Date Of Mfg. \_\_\_\_\_  
Power Unit Serial # \_\_\_\_\_

This information is required when  
calling for parts or warranty issues.

1645 Lemonwood Dr., Santa Paula, CA 93060 USA Tel: 1-805-933-9970 Fax: 1-805-933-9160 www.bendpak.com		
Model No.	Lifting Capacity	Serial No.
Date of Mfg.	Power Unit No.	Voltage / Amperage
Cable Length	A B	C D

## PRODUCT WARRANTY

BendPak 4-Post Lifts are covered under warranty for five years on equipment structure, to be free of defects in material and workmanship. Power units, hydraulic cylinders, and all other assembly components such as turnplates, slip plates, cables, chains, valves, switches etc. are covered under warranty for one year against defects in material or workmanship under normal use. BendPak Inc. shall repair or replace at their option for the warranty period those parts returned to the factory freight prepaid which prove upon inspection to be defective. BendPak Inc. will pay labor costs for the first 12 months only on parts returned as previously described.

The warranty does not extend to...

- ◆ defects caused by ordinary wear, abuse, misuse, shipping damage, improper installation, voltage or lack of required maintenance;
- ◆ damages resulting from purchaser's neglect or failure to operate products in accordance with instructions provided in the owner's manual(s) and/or other accompanying instructions supplied;
- ◆ normal wear items or service normally required to maintain the product in a safe operating condition;
- ◆ any component damaged in shipment;
- ◆ other items not listed but may be considered general wear parts;
- ◆ damage caused by rain, excessive humidity, corrosive environments or other contaminants.

**THESE WARRANTIES DO NOT EXTEND TO ANY COSMETIC DEFECT NOT INTERFERING WITH EQUIPMENT FUNCTIONALITY OR ANY INCIDENTAL, INDIRECT, OR CONSEQUENTIAL LOSS, DAMAGE, OR EXPENSE THAT MAY RESULT FROM ANY DEFECT, FAILURE, OR MALFUNCTION OF A BENDPAK INC. PRODUCT OR THE BREACH OR DELAY IN PERFORMANCE OF THE WARRANTY.**

## WARRANTY IS NOT VALID UNLESS WARRANTY CARD IS RETURNED.

## IMPORTANT NOTICE

Do not attempt to install this lift if you have never been trained on basic automotive lift installation procedures. Never attempt to lift components without proper lifting tools such as forklift or cranes. Stay clear of any moving parts that can fall and cause injury. These instructions must be followed to insure proper installation and operation of your lift. Failure to comply with these instructions can result in serious bodily harm and void product warranty. Manufacturer will assume no liability for loss or damage of any kind, expressed or implied resulting from improper installation or use of this product.

### PLEASE READ ENTIRE MANUAL PRIOR TO INSTALLATION.

## DEFINITIONS OF HAZARD LEVELS

Identify the hazard levels used in this manual with the following definitions and signal words:



### DANGER

Watch for this symbol: It Means: Immediate hazards which will result in severe personal injury or death.



### WARNING

Watch for this symbol: It Means: Hazards or unsafe practices which could result in severe personal injury or death.



### CAUTION

Watch for this symbol: It Means: Hazards or unsafe practices which may result in minor personal injury, product or property damage.

## OWNER'S RESPONSIBILITY

To maintain the lift and user safety, the responsibility of the owner is to read and follow these instructions:

- ◆ Follow all installation and operation instructions.
- ◆ Make sure installation conforms to all applicable Local, State, and Federal Codes, Rules, and Regulations; such as State and Federal OSHA Regulations and Electrical Codes.
- ◆ Carefully check the lift for correct initial function.
- ◆ Read and follow the safety instructions. Keep them readily available for machine operators.
- ◆ Make certain all operators are properly trained, know how to safely and correctly operate the unit, and are properly supervised.
- ◆ Allow unit operation only with all parts in place and operating safely.
- ◆ Carefully inspect the unit on a regular basis and perform all maintenance as required.
- ◆ Service and maintain the unit only with authorized or approved replacement parts.
- ◆ Keep all instructions permanently with the unit and all decals on the unit clean and visible.

## BEFORE YOU BEGIN

### Receiving:

The shipment should be thoroughly inspected as soon as it is received. The signed bill of lading is acknowledgement by the carrier of receipt in good condition of shipment covered by your invoice. If any of the goods called for on this bill of lading are shorted or damaged, do not accept them until the carrier makes a notation on the freight bill of the shorted or damaged goods. Do this for your own protection.

**NOTIFY THE CARRIER AT ONCE** if any hidden loss or damage is discovered after receipt and request the carrier to make an inspection. If the carrier will not do so, prepare a signed statement to the effect that you have notified the carrier (on a specific date) and that the carrier has failed to comply with your request.

**IT IS DIFFICULT TO COLLECT FOR LOSS OR DAMAGE AFTER YOU HAVE GIVEN THE CARRIER A CLEAR RECEIPT.** File your claim with the carrier promptly. Support your claim with copies of the bill of lading, freight bill, invoice, and photographs, if available. Our willingness to assist in helping you process your claim does not make BendPak responsible for collection of claims or replacement of lost or damaged materials.

# TABLE OF CONTENTS

<u>Contents</u>	<u>Page No.</u>
Warranty / Serial Number Information . . . . .	2
Definitions of Hazard Levels . . . . .	3
Owner's Responsibility . . . . .	3
Before You Begin. . . . .	3
Installers / Operators Agreement / Protective Equipment . . . . .	5
Introduction. . . . .	6
Safety / Warning Instructions . . . . .	6
Tools Required. . . . .	7
Step 1 / Selecting Site . . . . .	7
Step 2 / Floor Requirements . . . . .	7
Concrete Specifications. . . . .	7
Assembly View / Description of Parts . . . . .	8
Floor Plan / Specifications . . . . .	9
Power Unit Location. . . . .	10
Step 3 / Column and Cross Tube Installation. . . . .	11-12
Step 4 / Anchoring The Columns . . . . .	12-13
Step 5 / Raising the Cross Tubes . . . . .	13
Step 6 / Powerside Runway Installation . . . . .	14
Step 7 / Offside Runway Installation . . . . .	14
Step 8 / Cable Sheave Installation . . . . .	15-16
Step 9 Cable Installation . . . . .	16-17
Step 10 / Power Unit Installation . . . . .	17
Step 11 / Routing Hydraulic Hoses . . . . .	17-19
Step 12 / Routing Air Lines . . . . .	19
Step 13 / Power Unit Hook Up . . . . .	20-22
Step 14 / Inspecting Slack Safety Springs . . . . .	22
Step 15 / Lift Start Up / Final Adjustments . . . . .	22-23
Step 16 / Attaching Approach Ramps / Tire stops. . . . .	23-24
Step 17 / Leveling System . . . . .	24
Step 18 Bleeding . . . . .	25
Optional Equipment Installation. . . . .	26-27
Step 19 / Operation/ Maintenance . . . . .	28-33
Troubleshooting Guide . . . . .	34-37
Part Number Lists . . . . .	38-40
Maintenance Records. . . . .	41
Installation Form . . . . .	42

**INSTALLER / OPERATOR  
PLEASE READ AND FULLY  
UNDERSTAND.  
BY PROCEEDING YOU AGREE TO  
THE FOLLOWING.**

- ◆ I have visually inspected the site where the lift is to be installed and verified the concrete to be in good condition and free of cracks or other defects. I understand that installing a lift on cracked or defective concrete could cause lift failure resulting in personal injury or death.
- ◆ I understand that a level floor is required for proper installation and level lifting.
- ◆ I understand that I am responsible if my floor is of questionable slope and that I will be responsible for all charges related to pouring a new level concrete slab if required and any charges.
- ◆ I understand that the lifts are supplied with concrete fasteners meeting the criteria of the American National Standard "Automotive Lifts - Safety Requirements for Construction, Testing, and Validation" ANSI/ALI ALCTV-1998, and that I will be responsible for all charges related to any special regional structural and/or seismic anchoring requirements specified by any other agencies and/or codes such as the Uniform Building Code (UBC) and/or International Building Code (IBC).
- ◆ I will assume full responsibility for the concrete floor and condition thereof, now or later, where the above equipment model(s) are to be installed. Failure to follow danger, warning, and caution instructions may lead to serious personal injury or death to operator or bystander or damage to property.
- ◆ I understand that Bendpak lifts are designed to be installed in indoor locations only. Failure to follow installation instructions may lead to serious personal injury or death to operator or bystander or damage to property or lift.



Failure to follow danger, warning, and caution instructions may lead to serious personal injury or death to operator or bystander or damage to property.



Please read entire manual prior to installation. Do not operate this machine until you read and understand all the dangers, warnings and cautions in this manual. For additional copies or further information, contact:

**BendPak Inc. / Ranger Products**

1645 Lemonwood Dr.

Santa Paula, CA. 93060

1-805-933-9970

[www.bendpak.com](http://www.bendpak.com)

**INSTALLER / OPERATOR  
PROTECTIVE EQUIPMENT**

Personal protective equipment helps makes installation and operation safer, however, it does not take the place of safe operating practices. Always wear durable work clothing during any installation and/or service activity. Shop aprons or shop coats may also be worn, however loose fitting clothing should be avoided. Tight fitting leather gloves are recommended to protect technician hands when handling parts. Sturdy leather work shoes with steel toes and oil resistant soles should be used by all service personnel to help prevent injury during typical installation and operation activities.

Eye protection is essential during installation and operation activities. Safety glasses with side shields, goggles, or face shields are acceptable. Back belts provide support during lifting activities and are also helpful in providing worker protection. Consideration should also be given to the use of hearing protection if service activity is performed in an enclosed area, or if noise levels are high.



**THIS SYMBOL POINTS OUT IMPORTANT SAFETY INSTRUCTIONS WHICH IF NOT FOLLOWED COULD ENDANGER THE PERSONAL SAFETY AND/OR PROPERTY OR YOURSELF AND OTHERS AND CAN CAUSE PERSONAL INJURY OR DEATH. READ AND FOLLOW ALL INSTRUCTIONS IN THIS MANUAL BEFORE ATTEMPTING TO OPERATE THIS MACHINE.**

## INTRODUCTION

1. Carefully remove the crating and packing materials. **CAUTION!** Be careful when cutting steel banding material as items may become loose and fall causing personal harm or injury.

2. Check the voltage, phase and proper amperage requirements for the motor shown on the motor plate. Wiring should be performed by a certified electrician only.

### IMPORTANT SAFETY INSTRUCTIONS !

*Read these safety instructions entirely!*

### IMPORTANT NOTICE !

Do not attempt to install this lift if you have never been trained on basic automotive lift installation procedures.  
Never attempt to lift components without proper lifting tools such as forklift or cranes.  
Stay clear of any moving parts that can fall and cause injury.

1. **READ AND UNDERSTAND** all safety warning procedures before operating lift.

2. **KEEP HANDS AND FEET CLEAR.** Remove hands and feet from any moving parts. Keep feet clear of lift when lowering. Avoid pinch points.

3. **KEEP WORK AREA CLEAN.** Cluttered work areas invite injuries.

4. Consider work area environment. Do not expose equipment to rain. **DO NOT** use in damp or wet locations. Keep area well lighted.

5. **ONLY TRAINED OPERATORS** should operate this lift. All non-trained personnel should be kept away from work area. Never let non-trained personnel come in contact with, or operate lift.

6. **USE LIFT CORRECTLY.** Use lift in the proper manner. Never use lifting adapters other than what is approved by the manufacturer.

7. **DO NOT** override self-closing lift controls.

8. **REMAIN CLEAR** of lift when raising or lowering vehicle.

9. **CLEAR AREA** if vehicle is in danger of falling.

10. **ALWAYS INSURE** that the safeties are engaged before any attempt is made to work on or near vehicle.

11. **DRESS PROPERLY.** Non-skid steel-toe footwear is recommended when operating lift.

12. **GUARD AGAINST ELECTRIC SHOCK.** This lift must be grounded while in use to protect the operator from electric shock. Never connect the green power cord wire to a live terminal. This is for ground only.



13. **DANGER!** The power unit used on this lift contains high voltage. Disconnect power at the receptacle before performing any electrical repairs. Secure plug so that it cannot be accidentally plugged in during service.



14. **WARNING! RISK OF EXPLOSION.** This equipment has internal arcing or sparking parts which should not be exposed to flammable vapors. This machine should not be located in a recessed area or below floor level.



15. **MAINTAIN WITH CARE.** Keep lift clean for better and safer performance. Follow manual for proper lubrication and maintenance instructions. Keep control handles and/or buttons dry, clean and free from grease and oil.

16. **STAY ALERT.** Watch what you are doing. Use common sense. Be aware.

17. **CHECK FOR DAMAGED PARTS.** Check for alignment of moving parts, breakage of parts or any condition that may affect its operation. Do not use lift if any component is broken or damaged.

18. **NEVER** remove safety related components from the lift. Do not use lift if safety related components are damaged or missing.

## TOOLS REQUIRED

- ◆ Rotary Hammer Drill or Similar
- ◆ 3/4" Masonry Bit
- ◆ Hammer
- ◆ 4 Foot Level
- ◆ Open-End Wrench Set: SAE/Metric
- ◆ Socket And Ratchet Set: SAE/Metric
- ◆ Hex-Key / Allen Wrench Set

- ◆ Large Crescent Wrench
- ◆ Large Pipe Wrench
- ◆ Crow Bar
- ◆ Chalk Line
- ◆ Medium Flat Screwdriver
- ◆ Tape Measure: 25 Foot Minimum
- ◆ Needle Nose Pliers

### NOTE:

An air supply **(30PSI / 3CFM min)** will be required for the safety-lock mechanisms. See Step 11.

### IMPORTANT NOTICE !

These instructions must be followed to insure proper installation and operation of your lift. Failure to comply with these instructions can result in serious bodily harm and void product warranty. Manufacturer will assume no liability for loss or damage of any kind, expressed or implied resulting from improper installation or use of this product.

**Please read entire manual prior to installation !**

### STEP 1

( Selecting Site )

Before installing your new lift, check the following.

1. **LIFT LOCATION:** Always use architects plans when available. Check layout dimension against floor plan requirements making sure that adequate space is available.
2. **OVERHEAD OBSTRUCTIONS:** The area where the lift will be located should be free of overhead obstructions such as heaters, building supports, electrical lines etc.
3. **DEFECTIVE FLOOR:** Visually inspect the site where the lift is to be installed and check for cracked or defective concrete.



4. **OPERATING TEMPERATURE.** Operate lift only between temperatures of 41° -104° F.
5. Lift is designed for **INDOOR INSTALLATION ONLY.**

### STEP 2

( Floor Requirements )



This lift must be installed on a solid level concrete floor with no more than 3-degrees of slope. Failure to do so could cause personal injury or death.

A level floor is suggested for proper use and installation and level lifting. If a floor is of questionable slope, consider a survey of the site and/or the possibility of pouring a new level concrete slab.



- ◆ **DO NOT** install or use this lift on any asphalt surface or any surface other than concrete.
- ◆ **DO NOT** install or use this lift on expansion seams or on cracked or defective concrete.
- ◆ **DO NOT** install or use this lift on a second / elevated floor without first consulting building architect.
- ◆ **DO NOT** install or use this lift outdoors.

### CONCRETE SPECIFICATIONS

LIFT MODEL	CONCRETE REQUIREMENTS
HDO-14LSX	4" Min. Thickness / 3,000 PSI



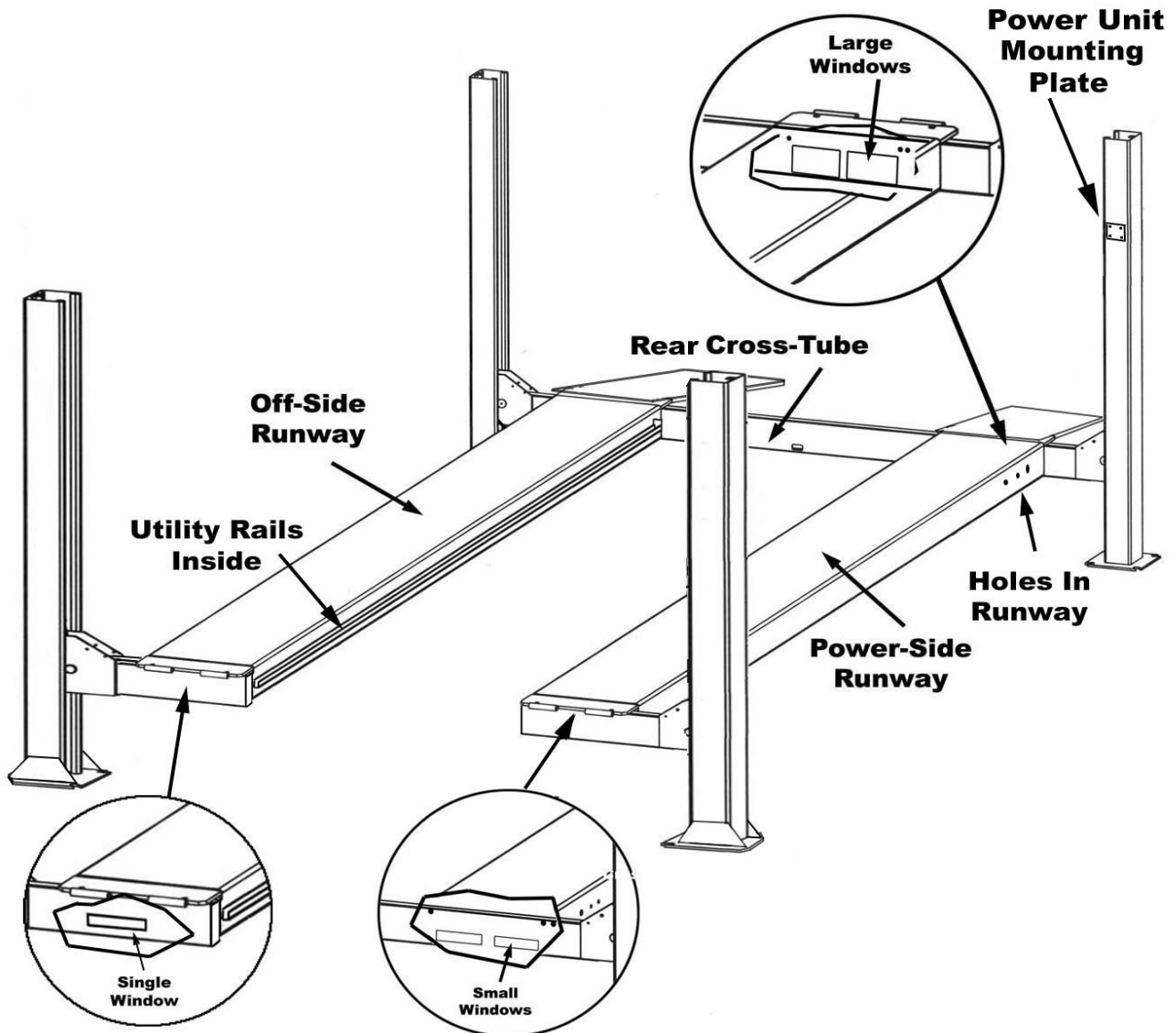
### DANGER!

All models **MUST** be installed on 3000 PSI concrete only conforming to the minimum requirements shown above. New concrete must be adequately cured by at least 28 days minimum.

**! DANGER**

When removing the lift from shipping angles pay close attention as the posts can slide and can cause injury. Prior to removing the bolts make sure the posts are held securely by a fork lift or some other heavy lifting devise.

**ASSEMBLY VIEW**

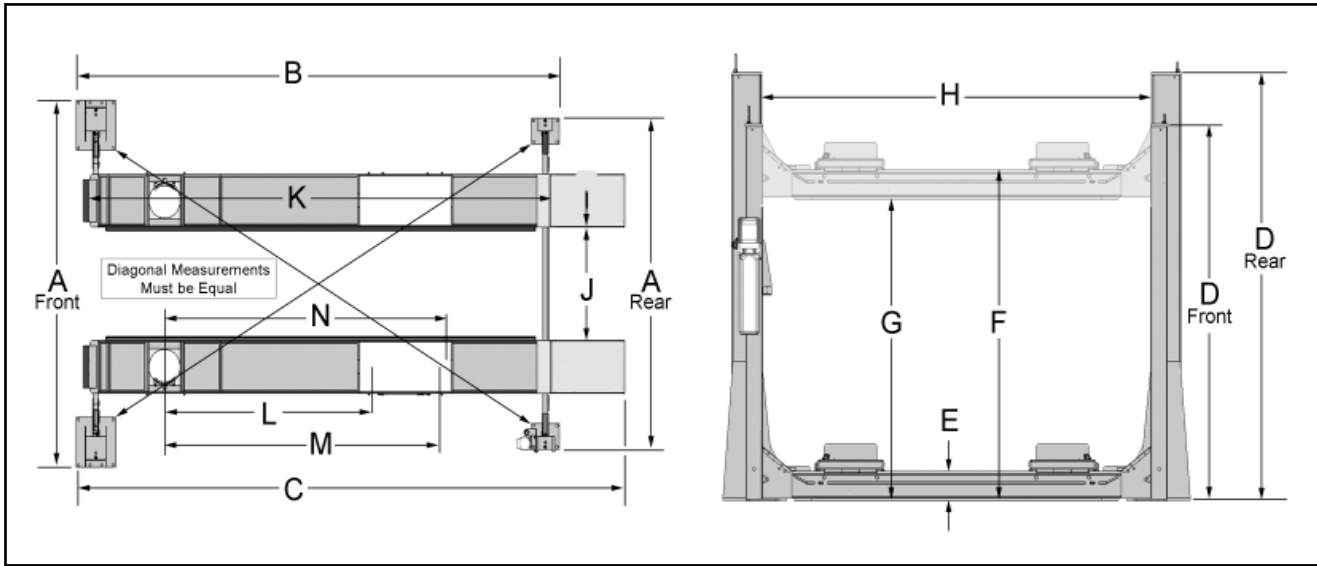


**IMPORTANT NOTE:**

The power unit must be installed at the location shown above. It is important to locate the POWER-SIDE runway (with cylinder) on the SAME SIDE as power unit location. Rolling Jack / Utility rails on the side of each runway MUST be installed to the inside.



## FLOOR PLAN



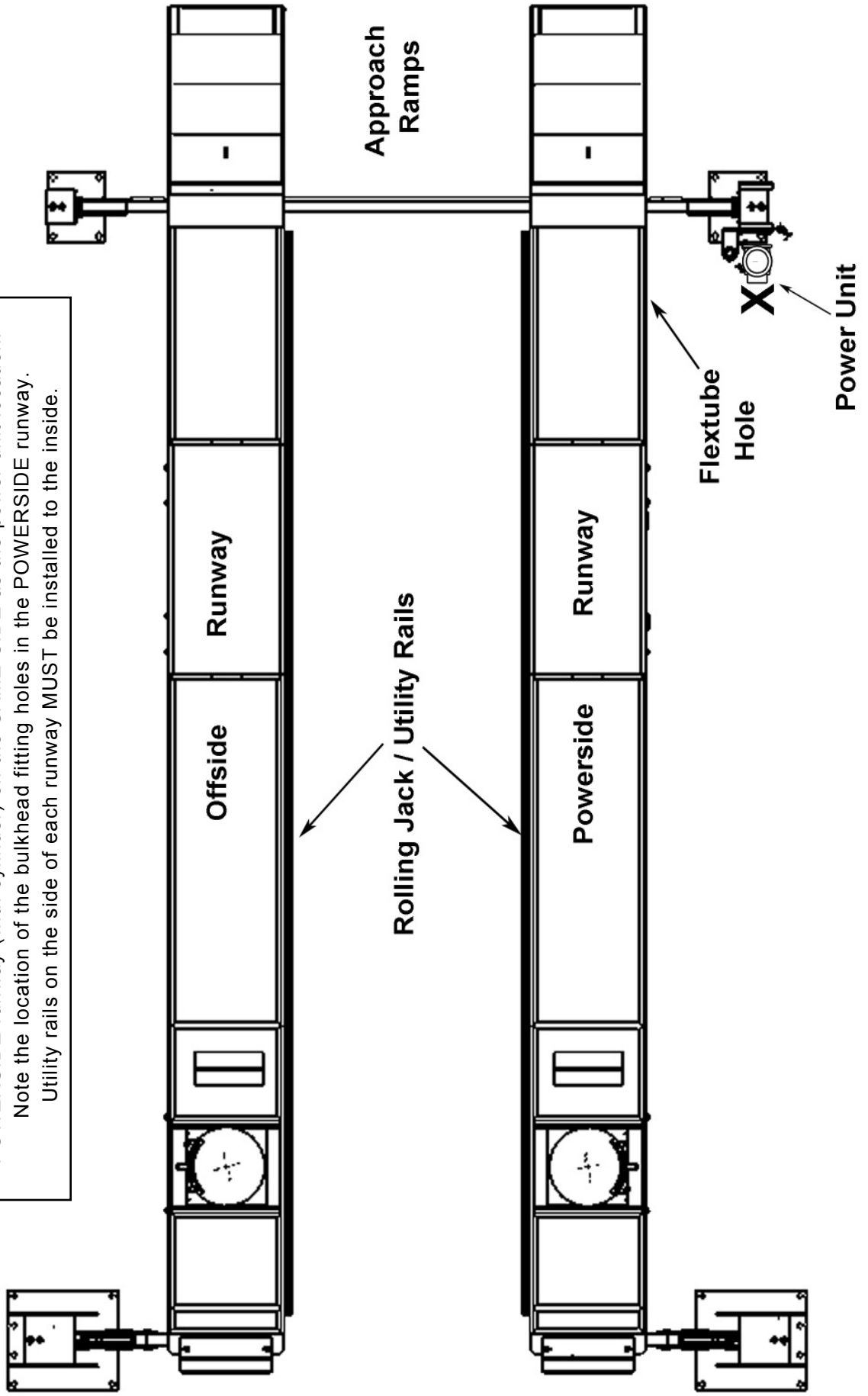
**\* IMPORTANT NOTE \***

Check Diagonal Measurements To Confirm Square Layout; Diagonal Measurements Must Be Equal.

MODEL	HDO14-LSX
Lifting Capacity	14,000 lbs / 6350 Kg.
A - Overall Width -Front	139" / 3531 mm
A - Overall Width -Rear	126" / 3200 mm
B - Outside Length	208" / 5283 mm
C - Overall Length	238" / 6045 mm
D - Height of Columns / Front	100" / 2540 mm
D - Height of Columns / Rear	88" / 2235 mm
E - Min. Runway Height	9 1/4" / 235 mm
F - Max. Rise	70" / 1778 mm
G - Max Lifting Height	79 1/4" / 2013 mm
H - Width Between Columns	116" / 2946 mm
I - Runway Width	20" / 508 mm
J - Width Between Runways(*)	43" / 1092 mm
K - Length of Runways	198" / 5029 mm
L - Min. 4- Wheel Alignment (**)	72" / 1828 mm
M - Max 4 Wheel Alignment (**)	135" / 3428 mm
N - Max 2 Wheel Alignment (**)	174" / 4420 mm
Min. Wheelbase @ Rated Capacity	140" / 3556 mm
Min. Wheelbase 75% Rated Capacity	120" / 3048 mm
Min. Wheelbase 50% Rated Capacity	100" / 2540 mm
Min. Wheelbase 75% Rated Capacity	80" / 2032 mm
Lock Spacing	13
Locking Positions	Every 4" / 102 mm
Lifting Time	60 Seconds
Standard Motor	220 VAC / 60Hz 1 Ph.
* This dimension may be limited with the addition of rolling jacks. See Rolling jack specifications on separate page.	
** May vary depending on wheel size. *** Special Voltages Available Upon Request	
The design, material and specifications are subject to change without notice.	

# POWER UNIT LOCATION

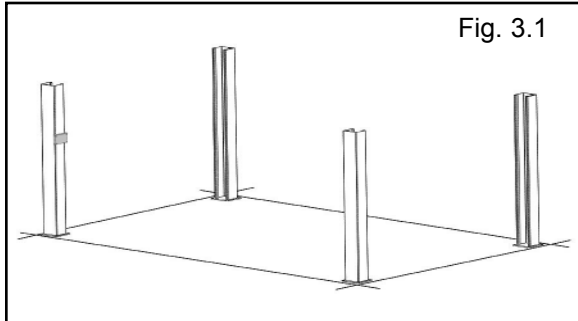
The power unit will be located at "X" location shown below. It is important to locate the POWERSIDE runway (with cylinder) on the SAME SIDE as the power unit location.  
Note the location of the bulkhead fitting holes in the POWERSIDE runway.  
Utility rails on the side of each runway MUST be installed to the inside.



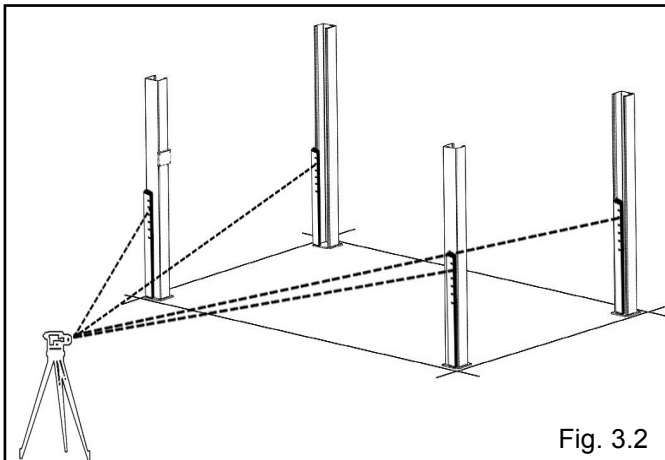
## STEP 3

( Column & Cross Tube Installation )

1. Place a chalk line on the floor according to the floor plan layout. Pay attention to the Power Unit location. Locate and stand the Columns at their respective locations. **DO NOT BOLT** columns down at this time. Use caution to prevent the Columns from falling over. (See Fig. 3.1)



2. To estimate the shim requirements, place a target on floor at each Column position and record the readings. Find the highest of the four locations then find the difference between each of the remaining Columns. This difference is the estimated amount of shim thickness that will be required at each Column. (See Fig. 3.2)

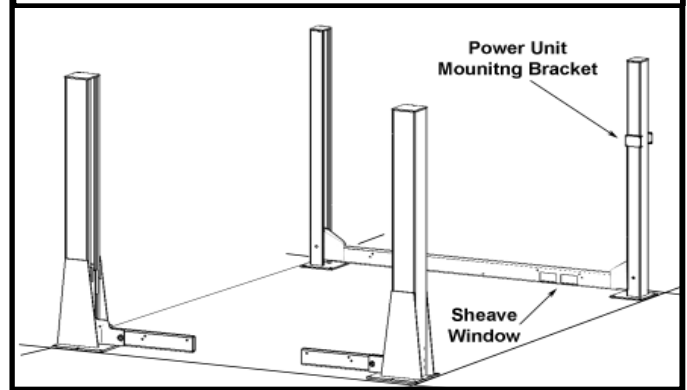
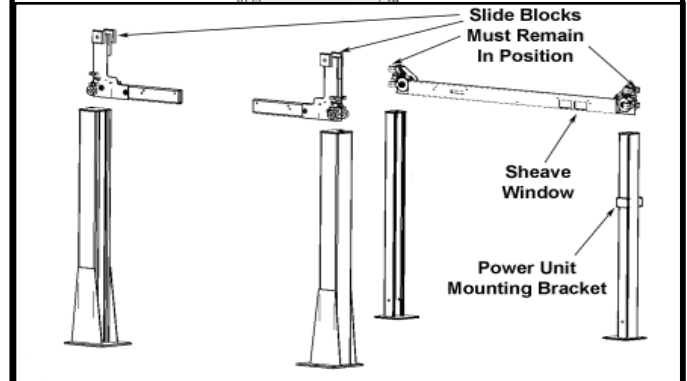
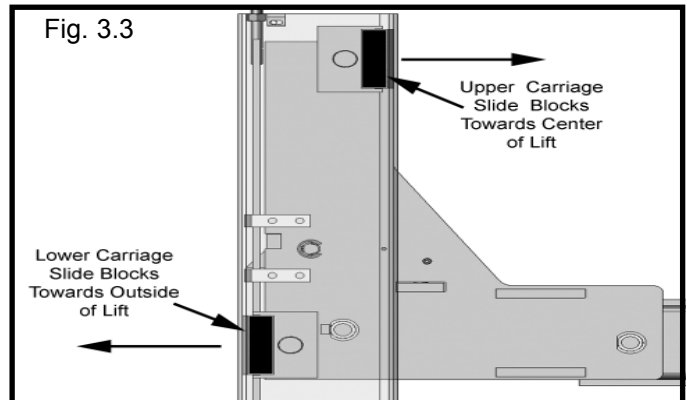


Note: The maximum shim thickness recommended by the factory is no more than 1/2" per Column using shims and anchors provided with the lift. A maximum shim thickness of 2" is possible by ordering optional shim plates. Contact your authorized BendPak Distributor for ordering information.

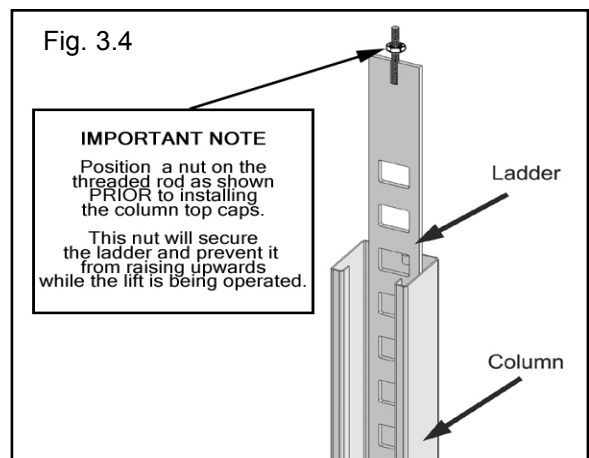
3. Using a forklift or crane, raise the Cross tubes (making sure the Plastic Slide Blocks are still in position) and drop down into the top of the Columns. NOTE: The sheave windows should be positioned inward and adjacent the Power Unit Column. (See Fig. 3.3)



**ENSURE THAT THE FRONT POST UPPER AND LOWER SLIDE BLOCKS ARE ORIENTED AS SHOWN BEFORE PROCEEDING.**



4. With the Columns standing and the cross tubes in position, install the Safety Ladders. Pass the ladders through the Column openings and drop down through the Slide Block guide slots on the Cross Tube until the Ladders come to rest on the Base Plates. **DO NOT BOLT** Columns down at this time. (See Fig. 3.4 - 3.5)



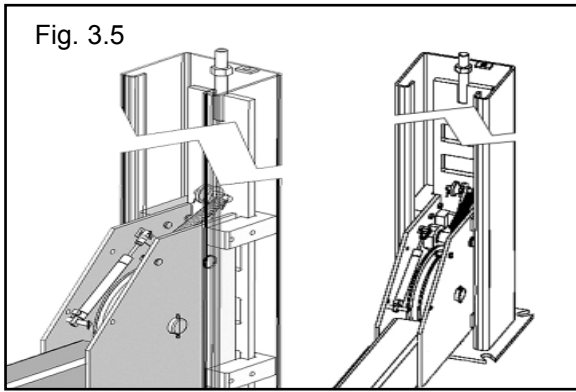


Fig. 3.5

5. The Columns and Cross Tubes will now be in position and spaced properly for the Runways.

6. Install the Column TOP CAPS using the M10 X 1.50 X 50 hex bolts, nuts & washers. Install the nut on each Safety Ladder until 1/2" of threads are exposed and the ladder is raised at least 1/2" off of the base of the Column. **NOTE: Raise the ladder at least 1/2" off of the base of the column or damage to the lift will occur.** Be sure to position the cable hole INWARD. (See Fig. 3.6 -3.7)

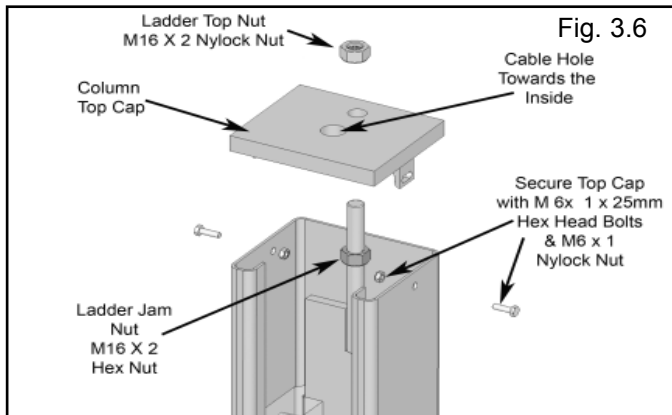


Fig. 3.6

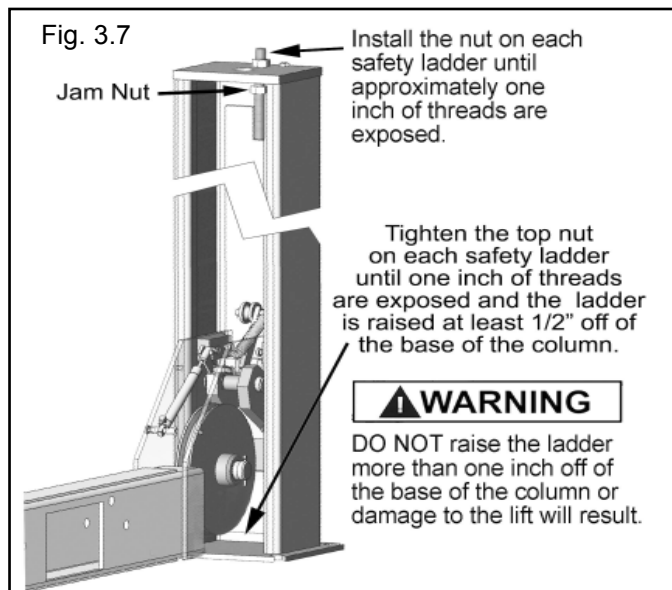


Fig. 3.7

## STEP 4

( Anchoring The Columns )

1. Before proceeding, double check the measurements and make certain that the Bases of each Column are square and aligned with the chalk line. (See Fig. 4.1)

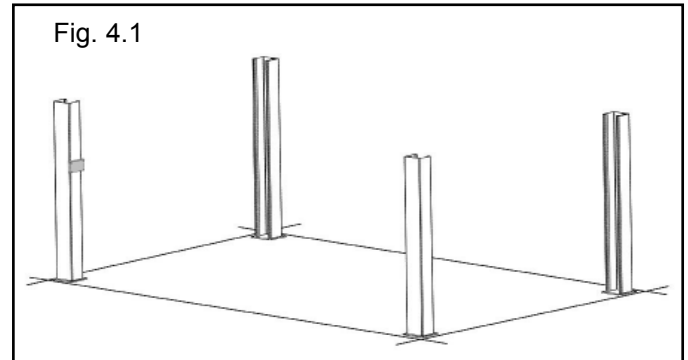


Fig. 4.1



**ALWAYS WEAR SAFETY GOGGLES.**

2. Using the Base Plate on each Column as a guide, drill each anchor hole approximately 4-1/2" deep using a rotary hammer drill and 3/4" concrete bit.. (See Fig. 4.2)

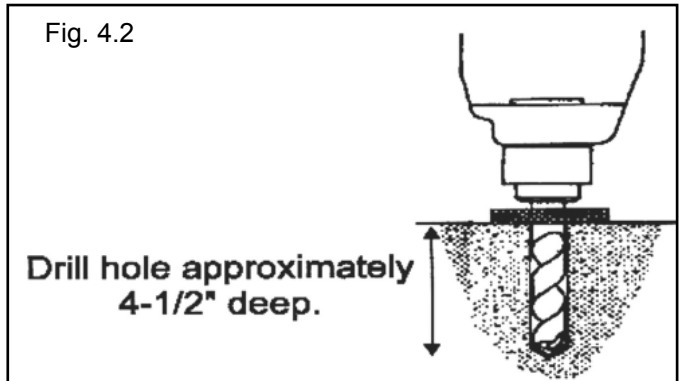


Fig. 4.2

3. After drilling, remove dust thoroughly from each hole using compressed air and/or bristle brush. Make certain that the Columns remain aligned with the chalk line.

4. Assemble the Washers and Nuts on the Anchors then tap into each hole with a hammer until the Washer rests against the Base Plate. Be sure that if shimming is required, enough threads are left exposed. (See Fig. 4.3)

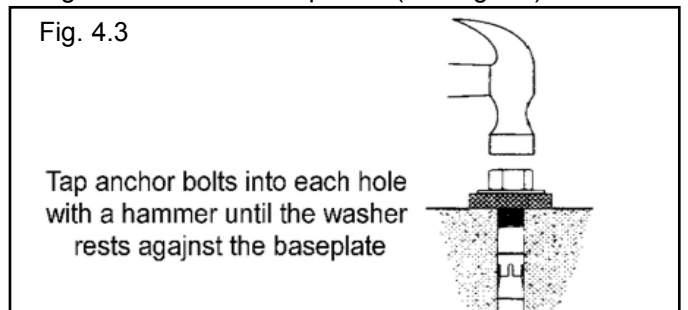
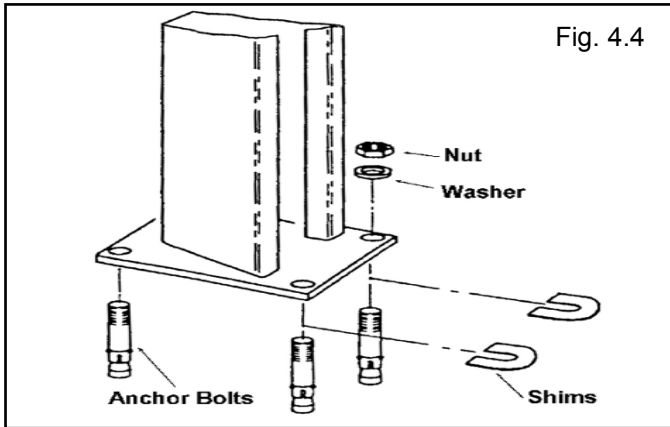
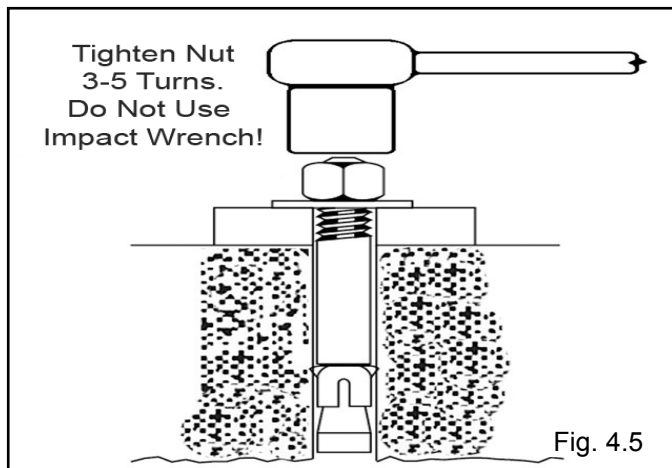


Fig. 4.3

5. If shimming is required, insert the Shims as necessary under the Base Plate so that when the Anchor bolts are tightened, the Columns will be plumb. (See Fig. 4.4)



6. After any necessary Shims are installed, tighten each anchor nut three to five turns past finger tight. (See Fig. 4.5)



**IMPORTANT** - If Anchor Bolts do not hold when torqued to required amount, concrete must be replaced. Saw cut and remove 24" x 24" square area under each Column base then re-pour with reinforced 2500 PSI concrete to a depth of six inches minimum, keying new concrete under existing floor.

### STEP 5

( Raising The Cross Tubes )

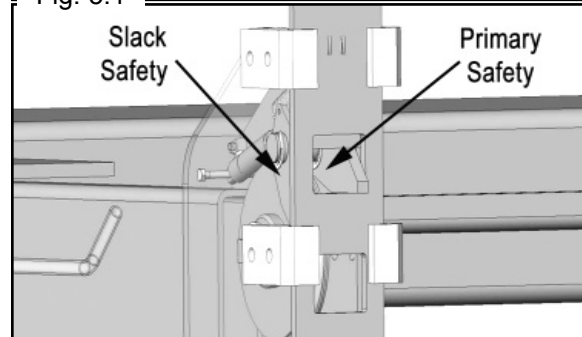
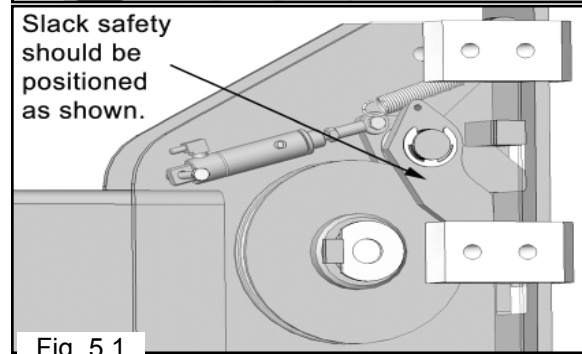
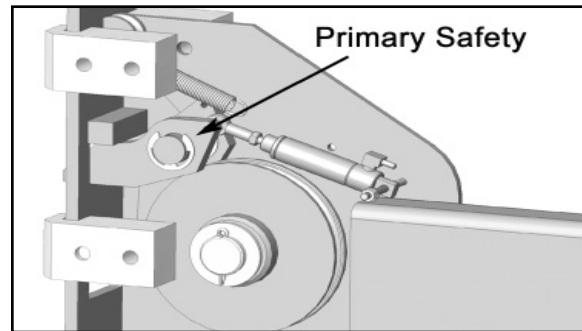
1. Before proceeding it will be necessary to first raise the Cross Tubes off the ground to facilitate Cable routing and final assembly.



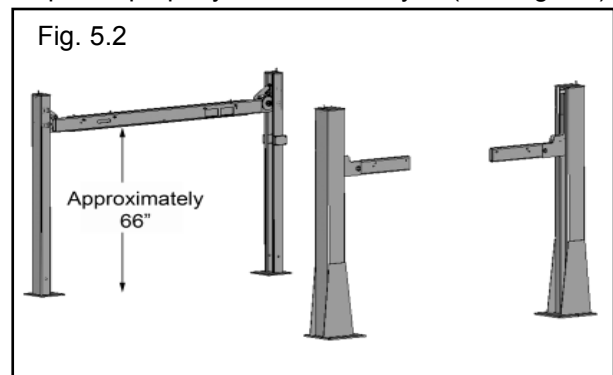
**ENSURE THAT THE FRONT POST UPPER AND LOWER SLIDE BLOCKS ARE ORIENTED AS SHOWN IN FIGURE 3.3 ON PAGE 11. BEFORE PROCEEDING.**

2. Manually raise the Cross Tubes until the primary Safety Locks engage and rest on the lock position second down from the top of the ladder or approximately 66" off the ground. It is important that the SLACK SAFETY LOCK IS CLEARED. The Slack Safety Lock must never rest on the Safety Ladder. (See Fig. 5.1)

**IMPORTANT NOTE !**  
It is important that the SLACK SAFETY LOCK IS CLEARED.  
The slack safety lock must never rest on the safety ladder.



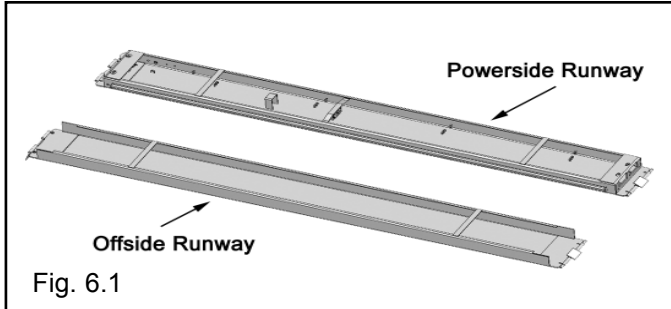
3. The Columns and Cross Tubes will now be in position and spaced properly for the Runways. (See Fig. 5.2)



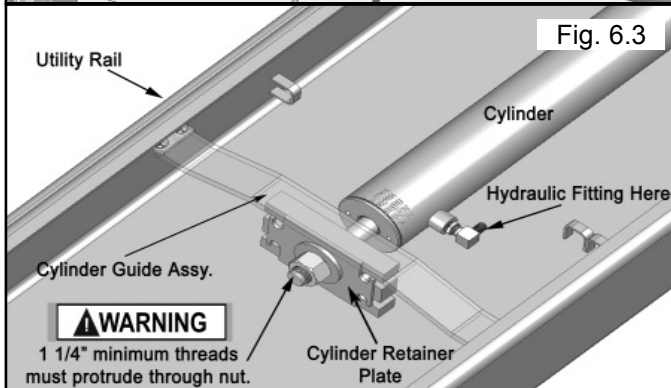
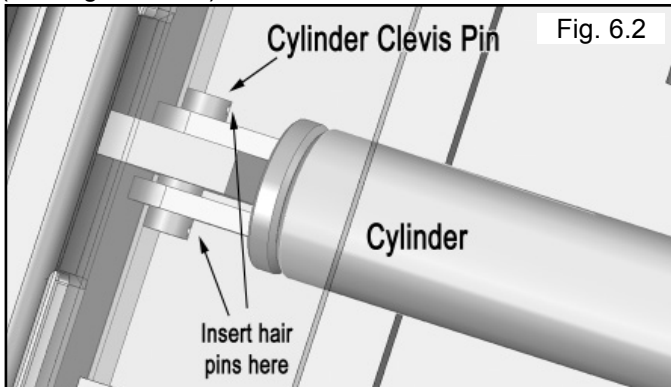
## STEP 6

( Powerside Runway Installation )

1. Locate the Powerside Runway easily identified by the Cylinder and Sheave Roller mounting structures welded on the underside. The Powerside Runway will be positioned on the side of the lift where the Power Unit is installed. (See Fig. 6.1)



2. Install the Cylinder and Cable Block as shown. (See Fig. 6.2 - 6.3)

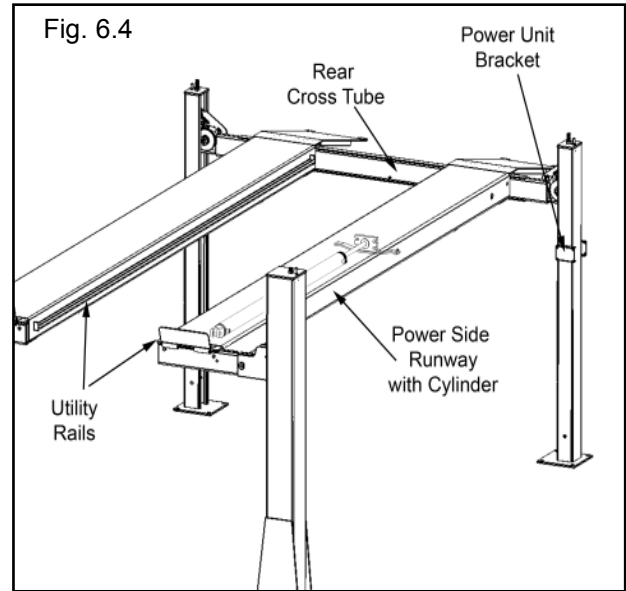


3. Remove any pre-installed Cable Sheaves from the Powerside runway making sure to pay attention to the order in which they are removed. (This will help at the time of re-installation.) (See Page 15)



**ENSURE THAT THE FRONT POST UPPER AND LOWER SLIDE BLOCKS ARE ORIENTED AS SHOWN IN FIGURE 3.3 ON PAGE 11. BEFORE PROCEEDING.**

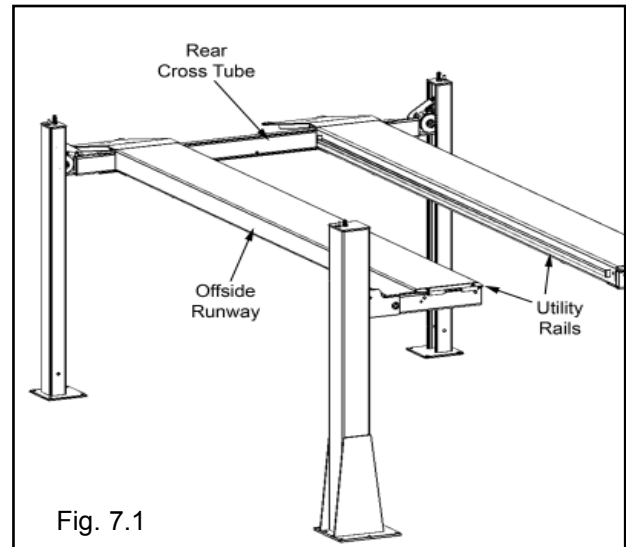
4. Position the Powerside Runway on top of the Cross Tubes with the utility rail towards the center. The fitting holes located at the side of the Powerside Runway should be adjacent to the Power Unit Column. Align the holes in the Runway with the holes on the Cross Tubes and bolt together using four M12 x 7.75 x 90 Hex Head Bolts and Washers. (See Fig. 6.4)



## STEP 7

( Offside Runway Installation )

1. Position the Offside Runway on top of the Cross Tubes with the utility rail located inside. (See Fig. 7.1)

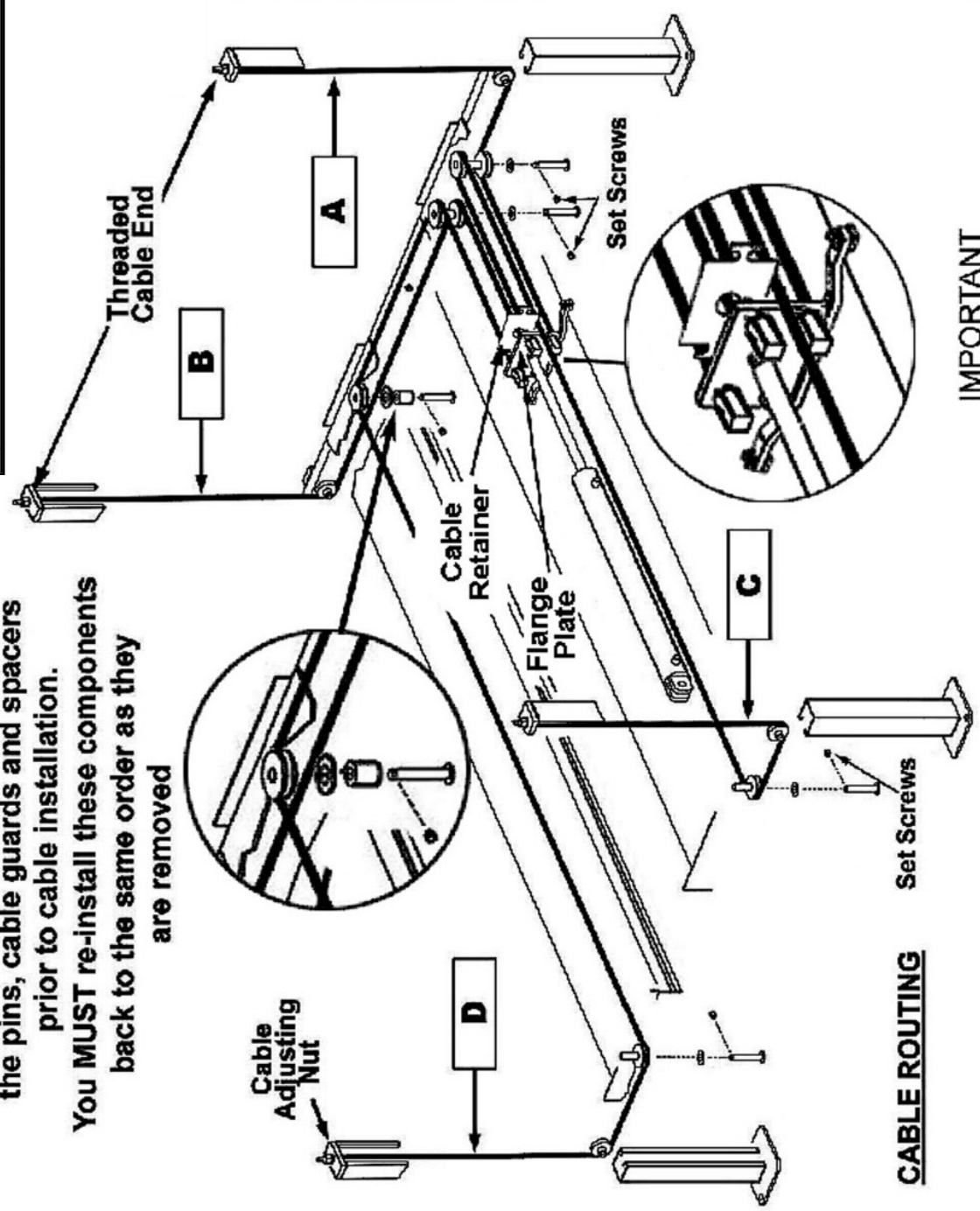


**DANGER**  
**DO NOT PROCEED** with cable installation or go near the lift work area unless visual confirmation is made of ALL safety locks. ALL locks MUST be engaged before proceeding. Failure to comply with these instructions may result in severe personal injury or death. (See page 13.)

Model	Part #	Description
A	HDO-14/14LSX 5595044	HD-14/LSX, HDO-14/14LSX; 12 x 3,970mm, Cable "A"
B	HDO-14/14LSX 5595039	HD-14/LSX, HDO-14/14LSX; 12 x 5,575mm, Cable "B"
C	HDO-14/14LSX 5595071	HDO-14/14LSX; 12 x 9,295mm, Cable "C"
D	HDO-14/14LSX 5595070	HDO-14/14LSX; 12 x 10,800mm, Cable "D"

**IMPORTANT**

It will be necessary to remove the pins, cable guards and spacers prior to cable installation. You **MUST** re-install these components back to the same order as they are removed



**CAUTION!**

Tighten shaft set screws securely after routing cables. Failure to do so may result in injury or damage to lift.

**IMPORTANT**

Install Flange Plate, Cable Retainer and Guide As shown.

**CABLE ROUTING**

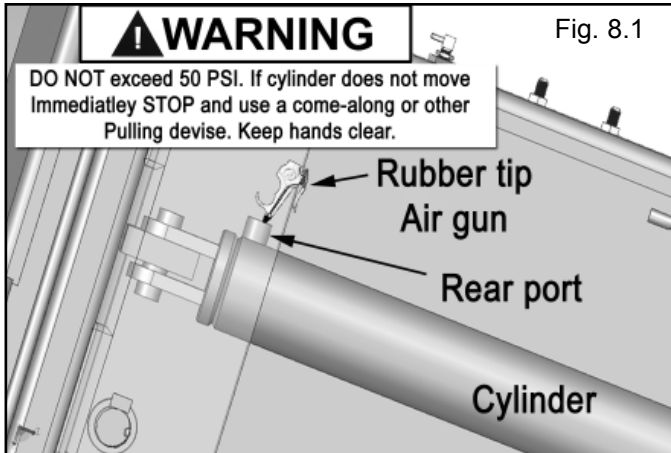
## STEP 8

( Cable / Sheave Installation )

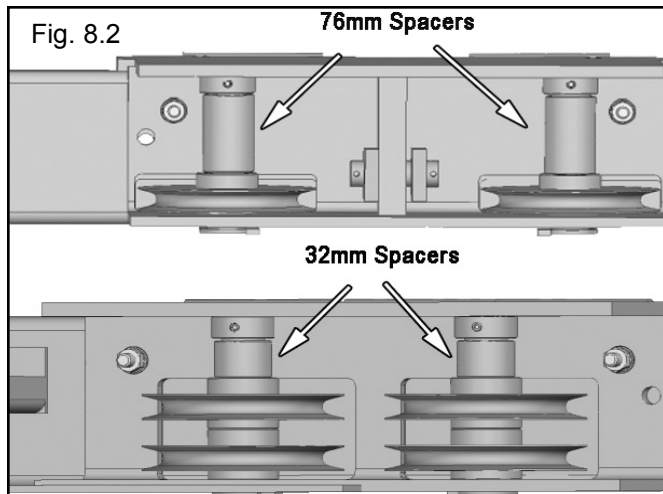
1. Inspect Cables to insure proper lengths. All Cables should have ID tags showing proper Cable lengths.

2. In order to install the Cables it is necessary to first extend the Hydraulic Cylinder. Remove both Cylinder port plugs then use an air gun or come-along to extend the Cylinder.

**IMPORTANT!** - Be careful not to damage the chrome rod during this step. (See Fig. 8.1)



3. You must reinstall the Sheaves, Spacers and Pins in the same order as they are removed. (See Fig. 8.2)



### DANGER!

**DO NOT PROCEED** unless visual confirmation is made of ALL safety locks. ALL locks MUST be engaged before proceeding. Failure to comply with these instructions may result in severe personal injury or death. (See page 13)

## STEP 9

( Cable Installation )



### DANGER!

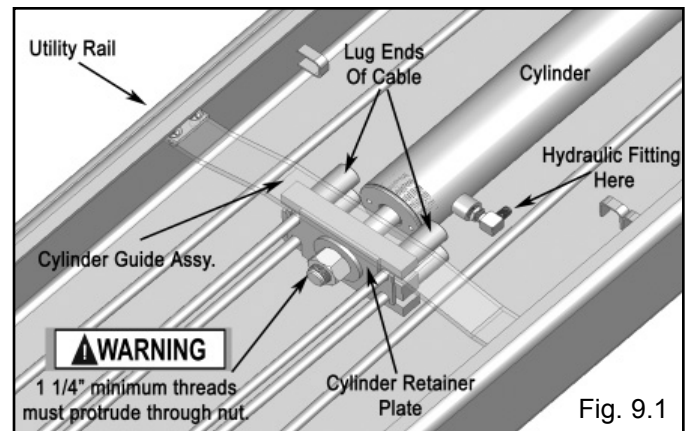
Failure to route lifting cables as described may lead to serious personal injury and/or death to operator or bystander and/or may cause damage to property.



### WARNING!

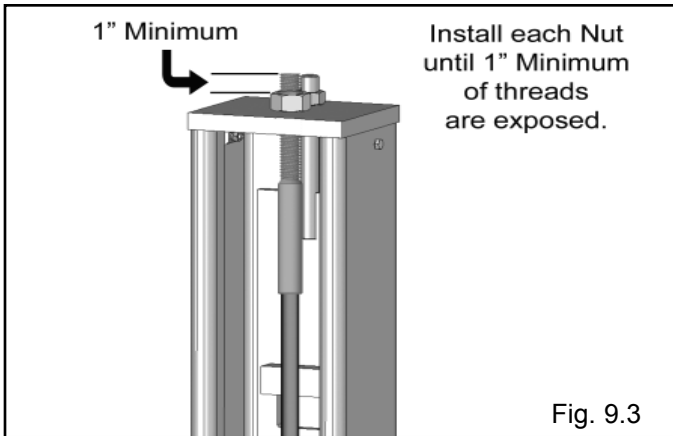
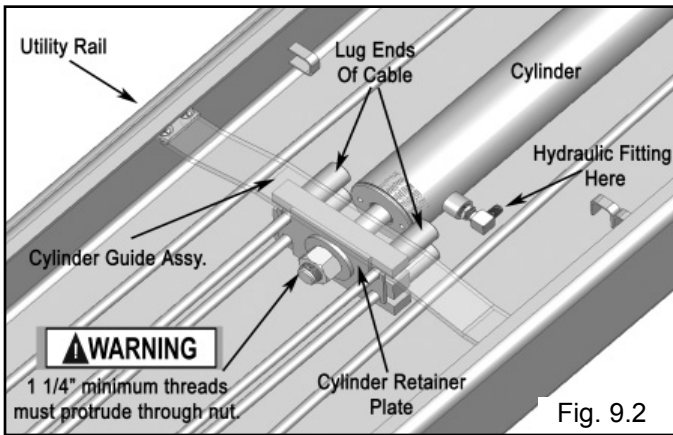
WHEN THE CABLE ADJUSTING NUTS BOTTOM OUT ON THE THREADED END OF THE CABLE CONNECTOR AND THERE IS STILL SLACK IN THE CABLES, THE CABLES HAVE STRETCHED BEYOND THE SAFE USEFUL LENGTH AND NEED TO BE REPLACED WITH FACTORY APPROVED CABLE ASSEMBLIES. DO NOT PLACE WASHERS, SPACERS OR OTHER DEVICES TO "SHORTEN" THE EFFECTIVE CABLE LENGTH AS DAMAGE TO THE LIFT OR INJURY TO PERSONS MAY OCCUR.

1. Make sure the Cylinder Flange Plate is installed with the guide assembly facing down and the Cylinder retainer plate on the outside of the guide. Lug ends of cables start at Cylinder. (See Fig. 9.1)

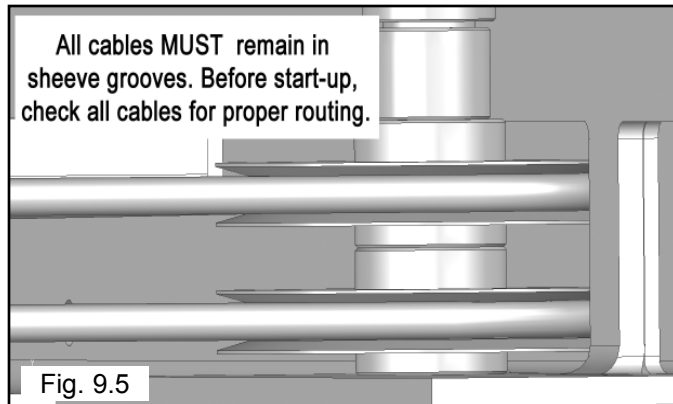
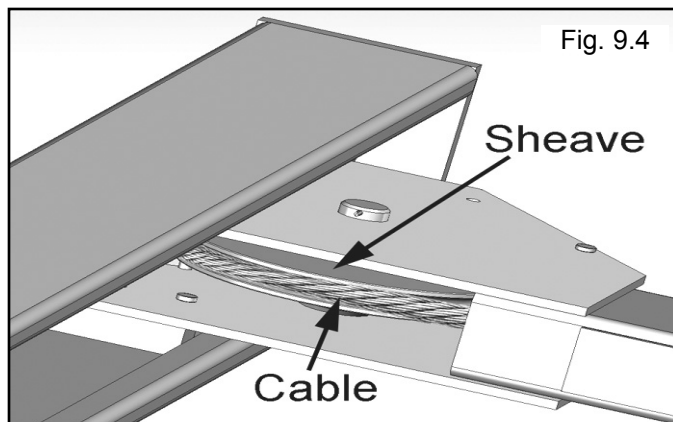


2. Route the threaded Cable ends through the ends of each Cross Tube, over the Slack Safety Sheave then to the top of each Column. Secure using the M22 Hex Head Nuts and Flat Washers. Tighten each nut until there is at least one inch of threads protruding through the top of the Nut. The Cables will remain loose until start up and final Cable adjustments are made. (See Fig. 9.2 - 9.3)





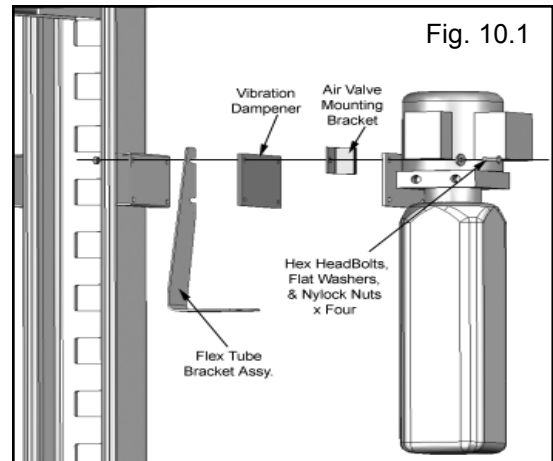
3. After routing the Cables double-check to make sure all are properly positioned and remain within the grooves of ALL Sheaves. (See Fig. 9.4 - 9.5)



## STEP 10

( Power Unit Installation )

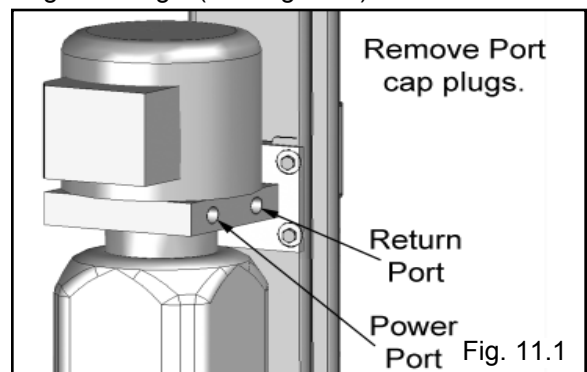
1. Mount the Power Unit, Air Valve Mounting Bracket, Vibration Dampner, and Flex Tube Mounting Bracket to the Power Unit Mounting Bracket using the M8 hex bolts and Nylock Nuts. Fill the reservoir with 12 quarts of 10-WT hydraulic oil or Dexron III automatic transmission fluid. (See Fig. 10.1)



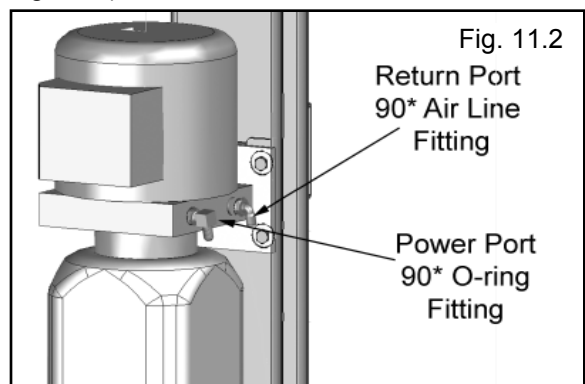
## STEP 11

( Routing Hydraulic Hoses )

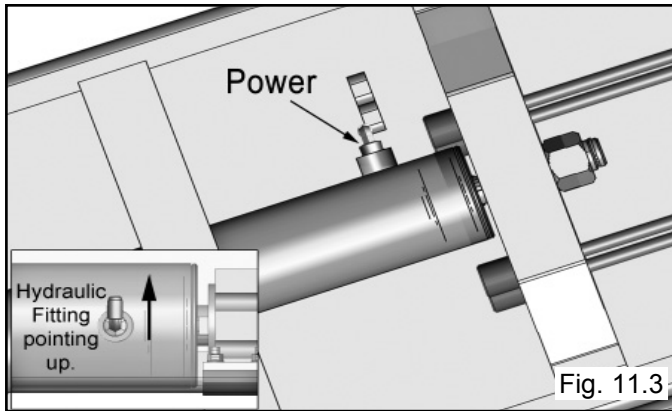
1. Remove the shipping plugs from both ports prior to installing the fittings. (See Fig. 11.1)



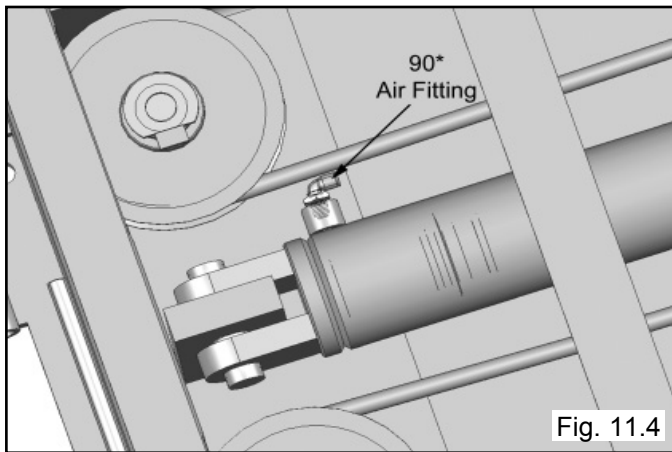
2. Install the 90-degree Hydraulic Fitting to the POWER PORT and the 90° Air Fitting to the RETURN PORT of the Power Unit. **(Port Location May Vary, Check documentation with Power Unit or contact Tech Support.)** (See Fig. 11.2)



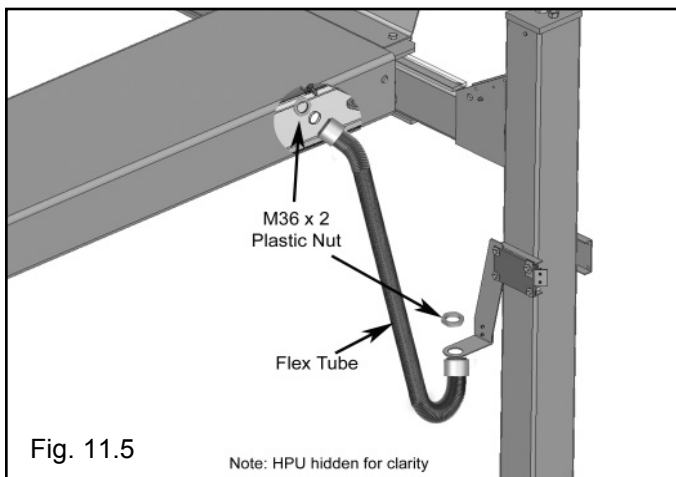
2. Install the 90-degree Hydraulic fitting at the Cylinder Port. On the pipe thread side of the fitting it is recommended to use Teflon tape or pipe sealer. **DO NOT USE TEFLON TAPE** on the JIC flared end. (See Fig. 11.3)



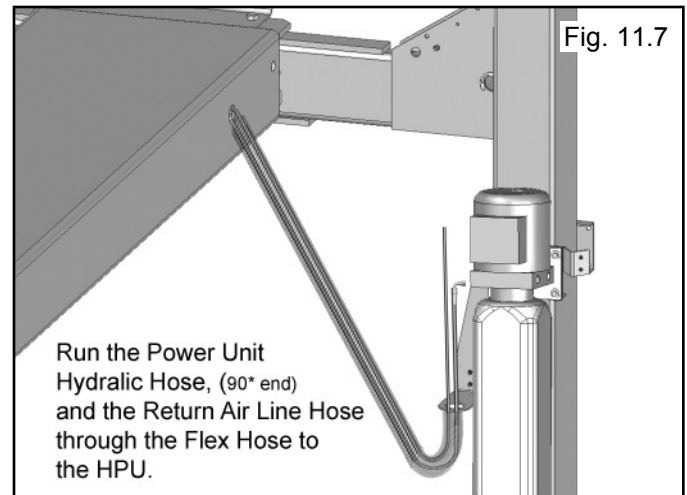
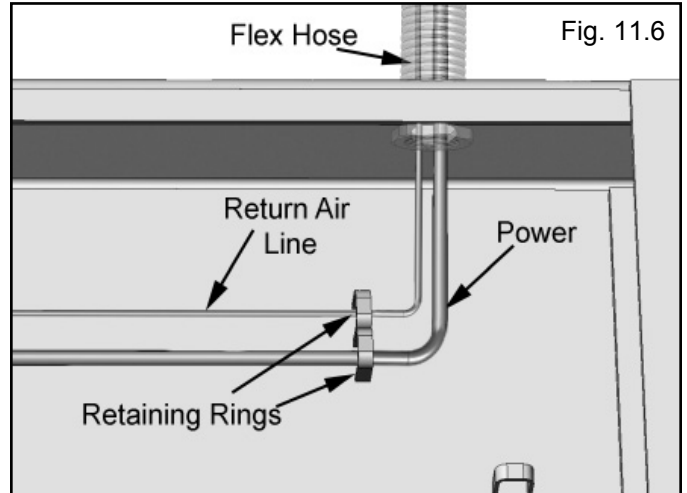
3. Install the 90° Air Fitting in the Return Port on the Cylinder. On the pipe thread side of the fitting it is recommended to use teflon tape or pipe sealer. (See Fig. 11.4)



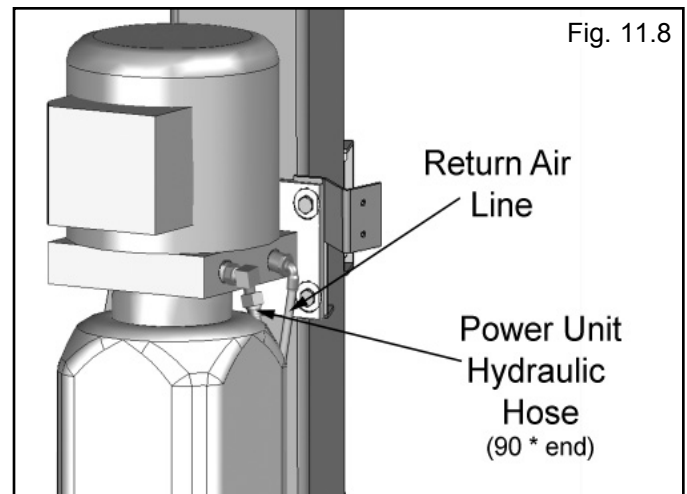
4. Install the Flex hose to the outside of the POWERSIDE RUNWAY adjacent to the Power Unit. Tighten securely. (See Fig. 11.5)



5. Run the Power Hose (90° End towards HPU) and Return Air lines through the Flex Flex hose making sure to pass through the retaining rings. **MAKE SURE HOSES ARE KEPT CLEAR OF CABLES.** (See Fig. 11.6 - 11.8)



6. Connect the Power Unit Hose (90° end) and the Air Line to the appropriate fitting on the HPU. **DO NOT use Teflon tape** on the JIC Fittings. (See Fig. 11.8)



## STEP 12

( Routing Air Lines )

Route the air line as shown below making sure to position the push button air valve with the INLET facing towards the AIR SOURCE and the OUTLET facing the direction of the LIFT.

A filter/regulator/lubricator must be installed on air supply at lift. Failure to do so will void the warranty. Cut the provided 1/4" air line tubing with a sharp blade to lengths as required. Tubing must be cut square with no burrs.

**An air supply (30 PSI Min / 3 CFM Min.) will be required for the safety-lock mechanisms.**

Note: To assemble air line tubing into fitting, use firm, manual pressure to push tubing into the fitting until it bottoms out.

To remove air line tubing from the fitting, hold push sleeve in (against fitting) and, at the same time, pull out on tubing.

Pay careful attention to keep air line clear of any pinch points. Improper assembly may result in safety lock failure.

**AIR PRESSURE SHOULD BE REGULATED TO 125 PSI MAX.** (See Fig. 12.1)

## AIRLINE ROUTING

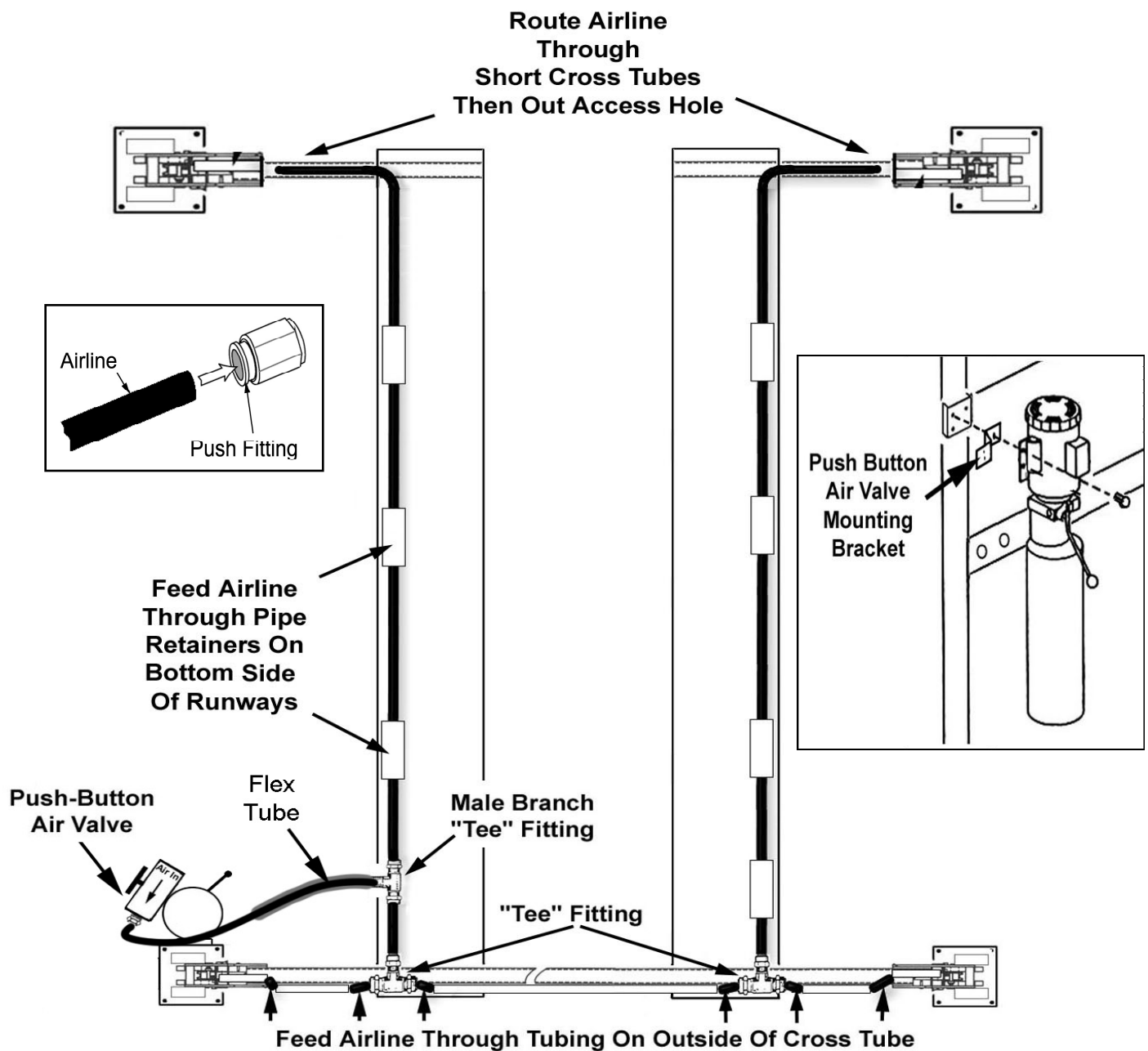


Fig. 12.1



**DANGER!**

**DO NOT PERFORM ANY MAINTENANCE OR INSTALLATION OF ANY COMPONENTS WITH OUT FIRST ENSURING THAT ELECTRICAL POWER HAS BEEN DISCONNECTED AT THE SOURCE OR PANEL AND CANNOT BE RE-ENERGIZED UNTIL ALL MAINTENANCE AND/OR INSTALLATION PROCEDURES ARE COMPLETED.**



## IMPORTANT POWER-UNIT INSTALLATION NOTES

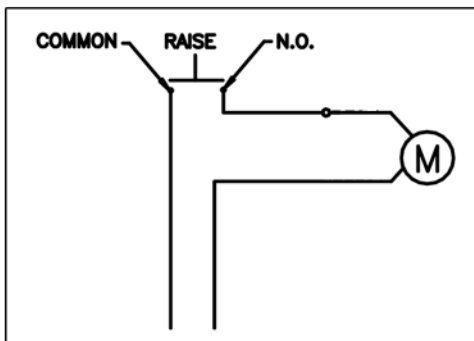
- DO NOT run power unit with no oil. Damage to pump can occur.
- The power unit must be kept dry. Damage to power unit caused by water or other liquids such as detergents, acid etc., is not covered under warranty.
- Improper electrical hook-up can damage motor and will not be covered under warranty.
- Motor can not run on 50HZ without a physical change in motor.
- Use a separate breaker for each power unit.
- Protect each circuit with time delay fuse or circuit breaker.
- For 208-230 volt, single phase, use a 25 amp fuse.
- For 208-230 volt, three phase, use a 20 amp fuse.
- For 380-440 volt, three phase, use a 15 amp fuse.

Installation and adjustment.

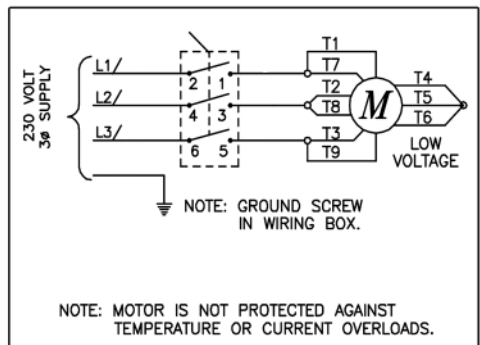
DO NOT attempt to raise vehicle until a thorough operation check has been completed.

All wiring must be performed by a certified electrician only.

**Single Phase**



**Three Phase**



SEE WIRING INSTRUCTIONS AFFIXED TO  
MOTOR FOR PROPER WIRING INSTRUCTIONS.

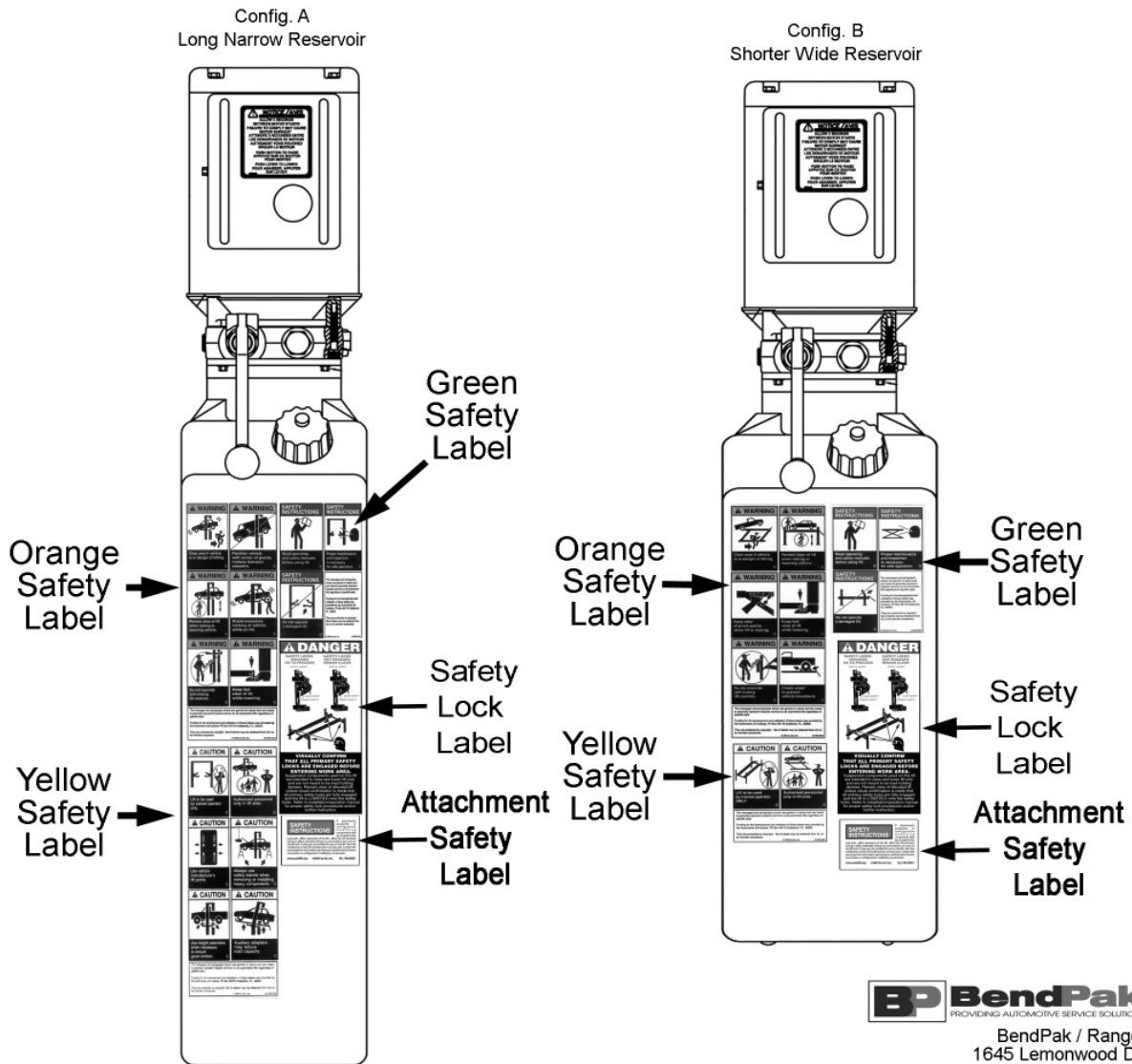
# Important Safety Label Placement Guidelines

Equipment: Four Post Lifts

Revised 06-05-08

## **⚠WARNING**

THESE ANSI/ALI ALC-TV-2006 MANDATED SAFETY LABELS ARE PROVIDED FOR THIS PRODUCT FOR THE PROTECTION OF THE OPERATOR AND ANY PERSON(S) working near the lift. The safety stickers must be installed as per the instructions below prior to the completion of installation. Failure to properly install warning labels could fail to warn and lead to serious personal injury or death to operator or bystander or damage to property. Be sure everyone who operates this equipment understands all the information, caution, warning and danger labels. Keep the labels clean so they are legible. This applies to all caution, warning and danger labels. It is the OWNER'S RESPONSIBILITY to provide information to all operators for safe operation of this lift. Replace any damaged or worn labels. Once any part of a label becomes illegible, it should be replaced. The part numbers for the labels are located in the lower right corner of the label. Replacement labels may be ordered through your dealer or the address below. When installing and/or replacing labels, be sure the surface is clean and dry, peel the backing off the label, and apply to the reservoir as shown below. Be sure to wipe with a clean cloth to rub out all air bubbles



BendPak / Ranger  
1645 Lemonwood Dr.  
Santa Paula, CA 93060  
Tel: 1-805-933-9970 / www.bendpak.com

## STEP 13

( Power Unit Hook Up )

1. Have a certified electrician run the Power Supply to motor. Refer to the data plate found on the motor for proper power supply and wire size.



### RISK OF EXPLOSION!

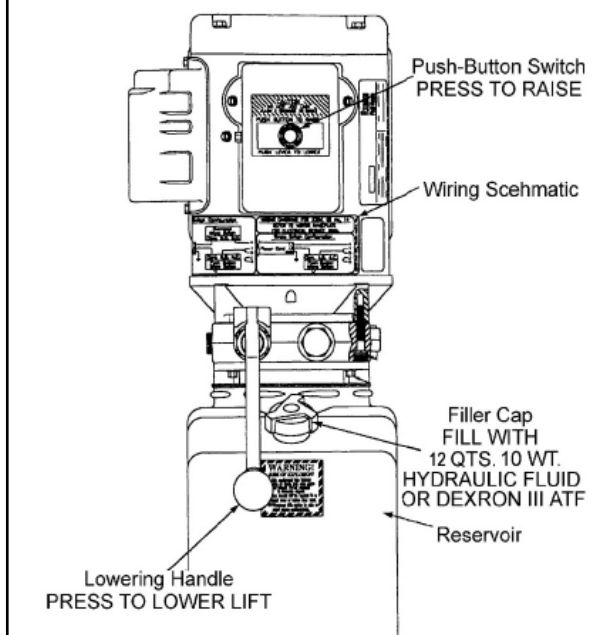
This equipment has internal arcing or parts that may spark and should not be exposed to flammable vapors. Motor should not be located in a recessed area or below floor level. NEVER expose motor to rain or other damp environments. DAMAGE TO MOTOR CAUSED BY WATER IS NOT COVERED UNDER WARRANTY.

#### IMPORTANT NOTE:

CAUTION Never operate the motor on line voltage less than 208V. Motor damage may occur which is not covered under warranty. Have a certified electrician run appropriate power supply to motor. Size wire for 25 amp circuit. See Motor Operating Data Table. IMPORTANT: Use separate circuit for each power unit. Protect each circuit with time delay fuse or circuit breaker. For single phase 208-230V, use 25 amp fuse. Three phase 208-240V, use 25 amp fuse. For three phase 400V and above, use 15 amp fuse. All wiring must comply with NEC and all local electrical codes.

Fig. 13.1

### POWER UNIT



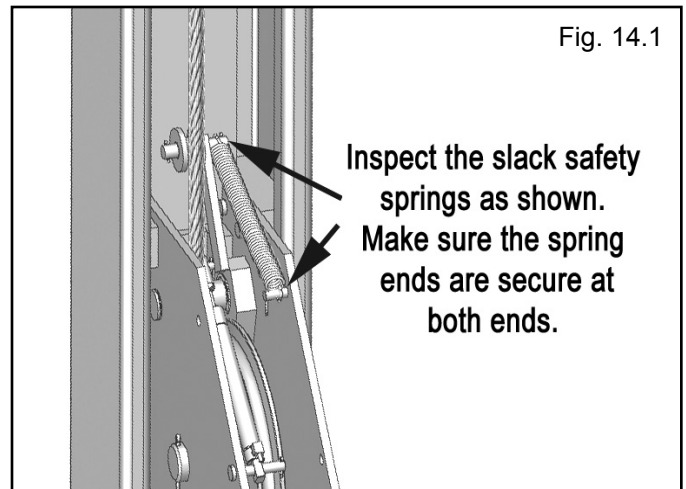
## STEP 14

( Inspecting The Slack Safety Springs )



The following steps involve the SLACK CABLE SAFETY DEVICE and MAIN SAFETY. Failure to follow these steps could result in serious injury or death in the event of cable failure.

1. Inspect the ends of the SLACK SAFETY LOCK SPRINGS as shown. Make sure the spring ends are secure at both ends. **DO NOT ATTEMPT TO RAISE THE LIFT UNTIL THE SLACK SAFETY SPRINGS ARE ATTACHED AND THE ROLLERS ARE PULLED CLEAR FROM THE LADDER.** (See Fig. 14.1)

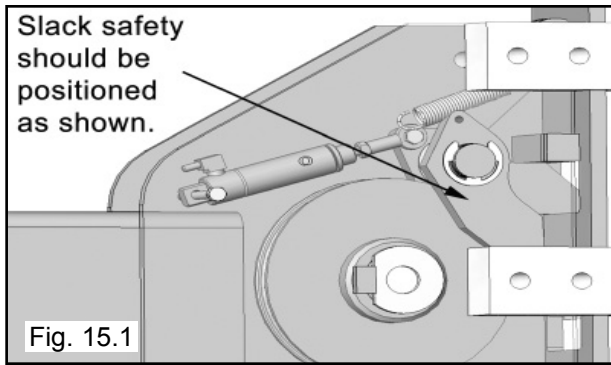


## STEP 15

( Lift Start Up / Final Adjustments )

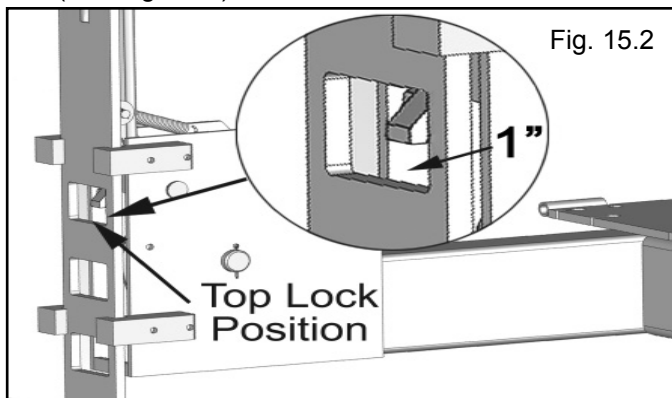
1. Make sure the Power Unit reservoir is full with 12 quarts of 10-WT hydraulic oil or Dexron-III automatic transmission fluid.
2. Spray the inside of the Columns where the Slide Blocks glide with a light lubricant or WD-40.
3. Test the Power Unit by pressing the push-button switch. If the motor sounds like it is operating properly, raise the lift and check all Hose Connections for leaks. If the motor gets hot or sounds peculiar, stop and check all electrical connections.
4. Before proceeding, double-check to make sure all Cables are properly positioned within the grooves of ALL Sheaves. Make sure all Cable Sheave retaining pins and/or clips are secure.

5. Check to make sure that all Slack Safety Locks are cleared and free. (See Fig. 15.1)



6. Continue pressing the raise button until the Cables get taugth and the lift starts to move.

**7. RAISE LIFT UNTIL THE CYLINDER BOTTOMS OUT AND THE LIFT STOPS. ADJUST EACH CABLE SO THAT EACH SAFETY LOCK RESTS AT ONE INCH ABOVE THE TOP SAFETY LOCK POSITION.** It may be necessary to tighten or loosen each Cable to reach the proper height. The Cable Nuts **MUST** be tightened until there is at least one inch of threads protruding through the nut. (See Fig. 15.2)



All Cable Nuts **MUST** be tightened on each end until there is at least one inch of threads protruding through the nut. Failure to do so could result in serious injury or death.

**NOTE:**

There will be initial stretching of the cables in the beginning and/or with increased loads. Adjust the cables as outlined above a week after first use, then every three to six months thereafter depending on usage and/or to compensate for stretch.

8. After connecting the air supply, press the PUSH BUTTON AIR VALVE and check that all safety locks are functioning properly. Lower the lift by pressing the push button air valve and power unit lowering valve simultaneously.



**KEEP HANDS AND FEET CLEAR.** Remove hands and feet from any moving parts. Keep feet clear of lift when lowering. Avoid pinch points.

9. Check all MAIN SAFETY LOCKS to make sure they move freely and spring back to the lock position when released. Lubricate all SAFETY PIVOT points with WD-40 or equal.

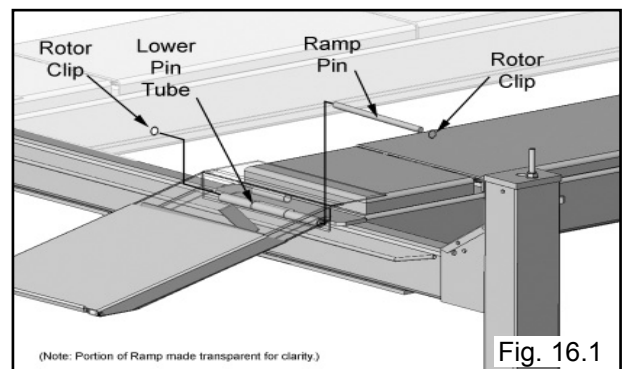
10. Run the lift up and down a few times to insure that the locks are engaging uniformly and that the safety release mechanisms are functioning. Re-adjust if necessary.

**STEP 16**

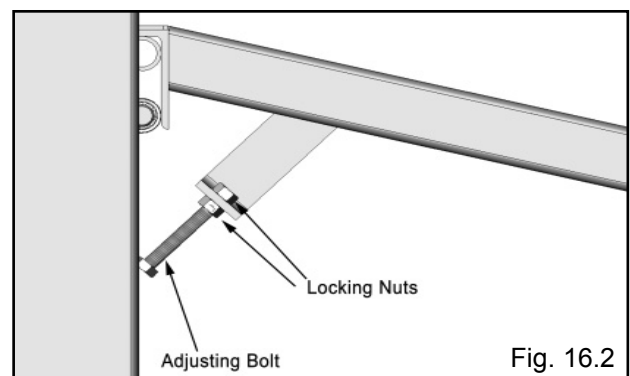
( Attaching Approach Ramps/ Tire Stops )

1. Install the approach ramps on the entry side of the lift.

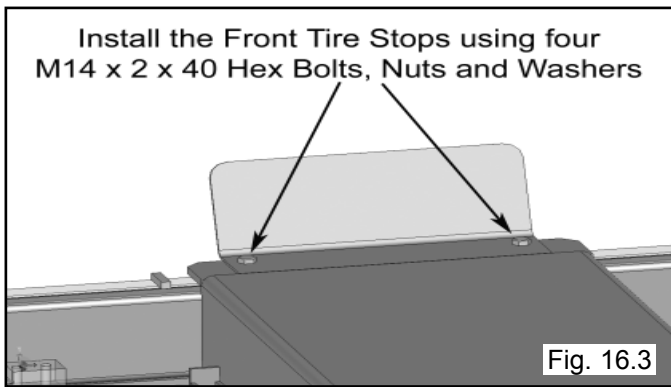
2. For HDO-14LSX use Lower Pin. (See Fig. 16.1)



3. Adjust the angle of the raised Approach Ramps using the Bolt and the Locking Nuts on the under side of the Ramps. (See Fig. 16.2)



3. Install the Front Tire Stops. (See fig. 16.3)



## STEP 17

( Leveling / Synchronizing )

1. Using an engineer's automatic Level (transit), locate the Level, at a convenient location in the shop that allows an unobstructed view of all four corners of the runways.

2. Follow the Level manufacturer's instructions for proper setup of the Level. Be sure it is adjusted level in all directions.

3. Raise the lift approximately 30"- 40". Then lower the lift until all primary safeties are engaged in each column and the runways are completely resting on the primary safeties.

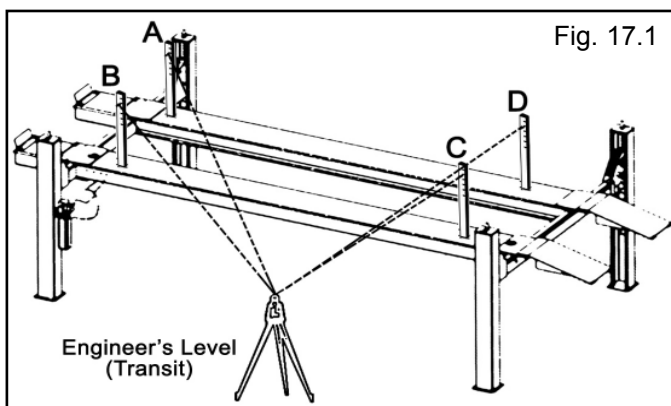
4. Place a Level target on the right/front corner of the runway. (See Fig. 17.1)

5. Beginning with "A" position, sight the level to the target and mark the number or the graduation on the inch scale of the target that aligns to the cross hairs of the Level, (See Fig. 17.1)

### NOTE:

Use a pencil, marking pen or attach a paper clip onto the target scale at the crosshair reference.

6. Next, move the target and place it at point "B" on the runway. (See Fig. 17.1)

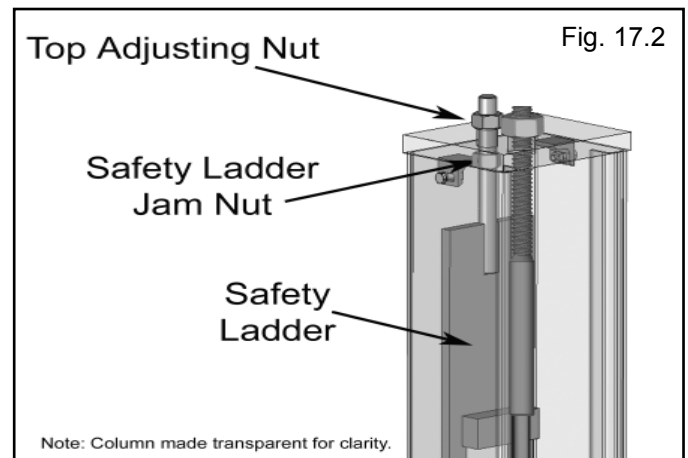


7. Rotate the Level and focus on the target scale.

8. Adjust the adjustment nut on the safety ladder bar at the top of the column at "B" until the crosshairs of the Level align to reference mark on the target scale. (See Fig. 17.1)

9. Repeat steps locating the target assembly at points "C" and "D" and adjusting safety ladders at each corresponding column until the reference mark on the target scale is on the crosshairs of the Level. The runways are now level at all four points. (See Fig. 17.1)

10. To complete the leveling procedures, lock each safety ladder jam nut tightly against bottom of column top plate. (See Fig. 17.2.)



11. Next, load vehicle onto the lift.

12. Raise the lift to full height. Listen and watch as the primary safeties engage the safety ladder. Synchronize by adjusting the cables so that all four latches click at same time. Make necessary adjustments to the cables allowing compensation for stretch.



Safety locks may not engage at exactly the same time when vehicles are being raised. They should be close. Be sure that all four corners have passed the SAME safety ladder bar slot before lowering lift on the safety locks. NEVER lower lift on different safety lock position or damage to the lift may result.



## STEP 18

( Bleeding )

1. Lift must be fully lowered before changing or adding fluid.

2. Raise and lower lift six times. The cylinder is self-bleeding. After bleeding system, fluid level in power unit reservoir may be down. Add more fluid if necessary to raise lift to full height. It is only necessary to add fluid to Raise lift to full height.

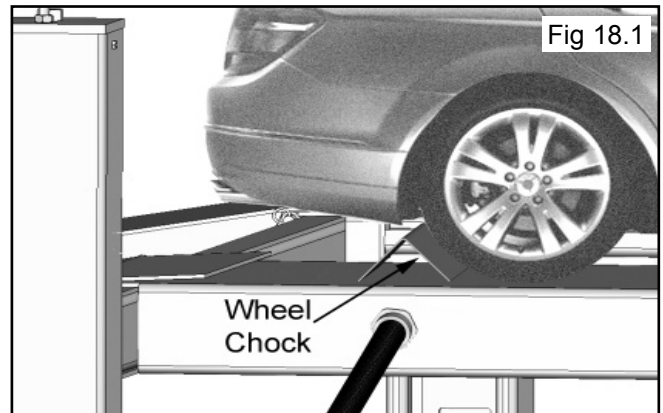
3. To pressure test, run lift to full rise and run motor for approximately 3-seconds after lift stops. This will place pressure on the hydraulic system. Stop and check all fittings and hose connections. Tighten or reseal if required.

## POST-INSTALLATION CHECK-OFF

- ◆ Columns Properly Shimmed And Stable
- ◆ Anchor Bolts Tightened
- ◆ Pivot / Sheave Pins Properly Attached
- ◆ Electric Power Supply Confirmed
- ◆ Cables Adjusted Properly
- ◆ Safety Locks Functioning Properly
- ◆ Check For Hydraulic Leaks
- ◆ Oil Level
- ◆ Lubrication of Critical Components
- ◆ Check For Overhead Obstructions
- ◆ Runways Level
- ◆ All Screws, Bolts, and Pins Secured
- ◆ Surrounding Area Clean
- ◆ Operation, Maintenance and Safety Manuals on Site



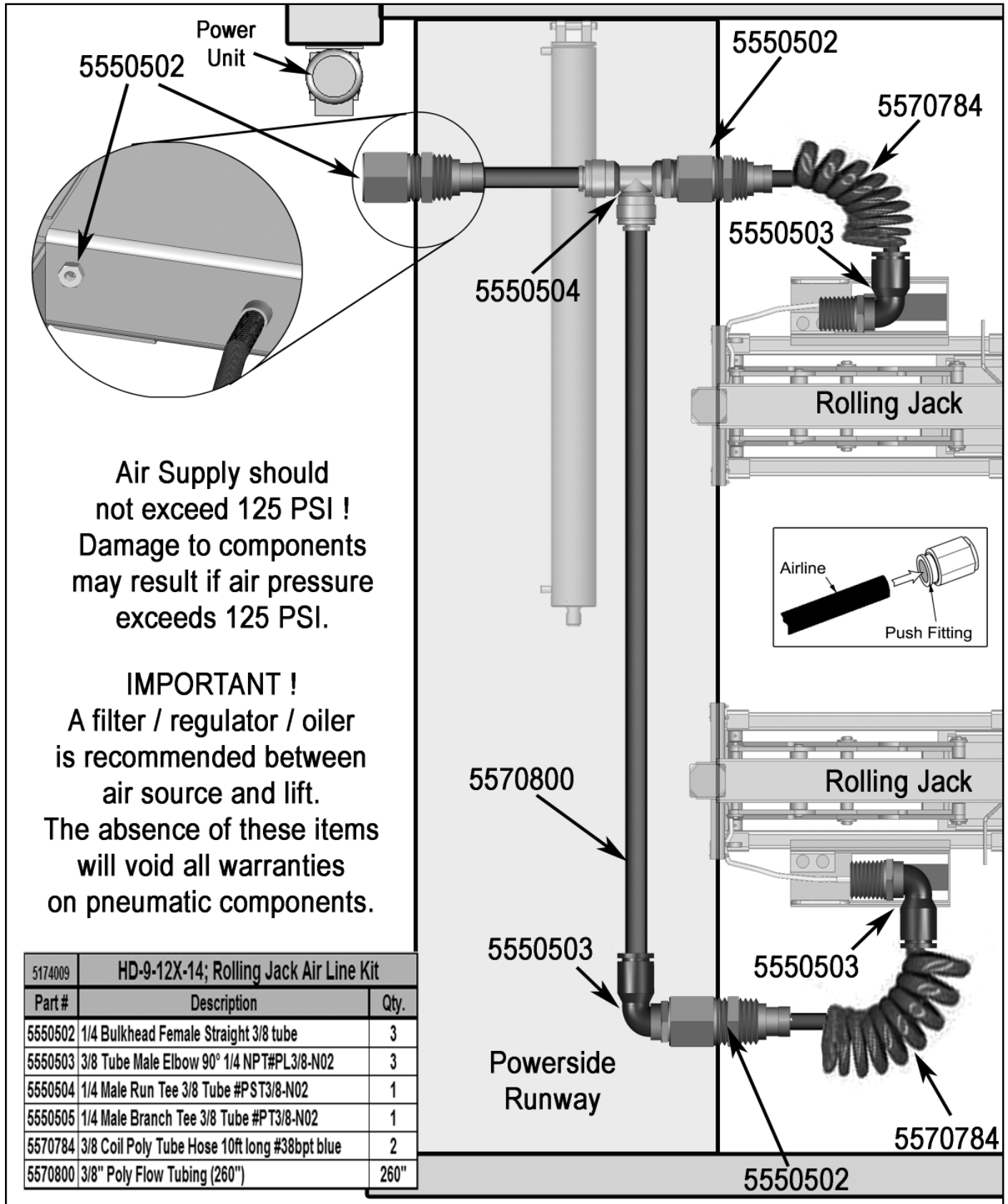
**WARNING!**  
Wheels Chock must be used on the rear wheels.  
(See Fig 18.1)



OPTIONAL EQUIPMENT INSTALLATION

**HD-9-12X-14 Rolling Jack Air Line Kit Installation**  
**Part # 5174009**

REV 01-06-09



Air Supply should not exceed 125 PSI !  
 Damage to components may result if air pressure exceeds 125 PSI.

**IMPORTANT !**  
 A filter / regulator / oiler is recommended between air source and lift.  
 The absence of these items will void all warranties on pneumatic components.

5174009 HD-9-12X-14; Rolling Jack Air Line Kit		
Part #	Description	Qty.
5550502	1/4 Bulkhead Female Straight 3/8 tube	3
5550503	3/8 Tube Male Elbow 90° 1/4 NPT#PL3/8-N02	3
5550504	1/4 Male Run Tee 3/8 Tube #PT3/8-N02	1
5550505	1/4 Male Branch Tee 3/8 Tube #PT3/8-N02	1
5570784	3/8 Coil Poly Tube Hose 10ft long #38bpt blue	2
5570800	3/8" Poly Flow Tubing (260")	260"

## OPTIONAL EQUIPMENT INSTALLATION

# Utility Air-Electric Workstation

Utility Station may be mounted on the vertical column of the lift or on a wall.

**IMPORTANT: Check State or Local codes for any height requirements for the electrical outlets before mounting.**

Adapter Plate Required for HD 9, 12, 14

To mount the Utility Station on a Lift Column, use the Box as a template, mark and drill 11/32" diameter holes. Use 5/16" diameter bolts and lock nuts to secure to the side of the lift.

**IMPORTANT: The hole locations are critical to avoid interference with the carriage slide blocks.**

For Wall mounting, mount in the same fashion, use appropriate hardware for either sheet rock or concrete.

**IMPORTANT: All electrical wiring shall comply with all State and Local Codes.**

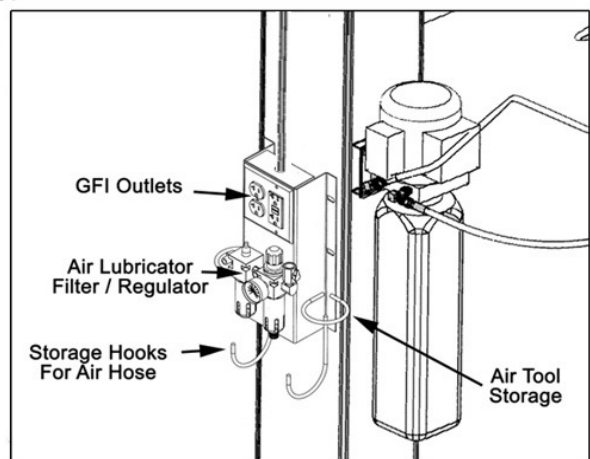
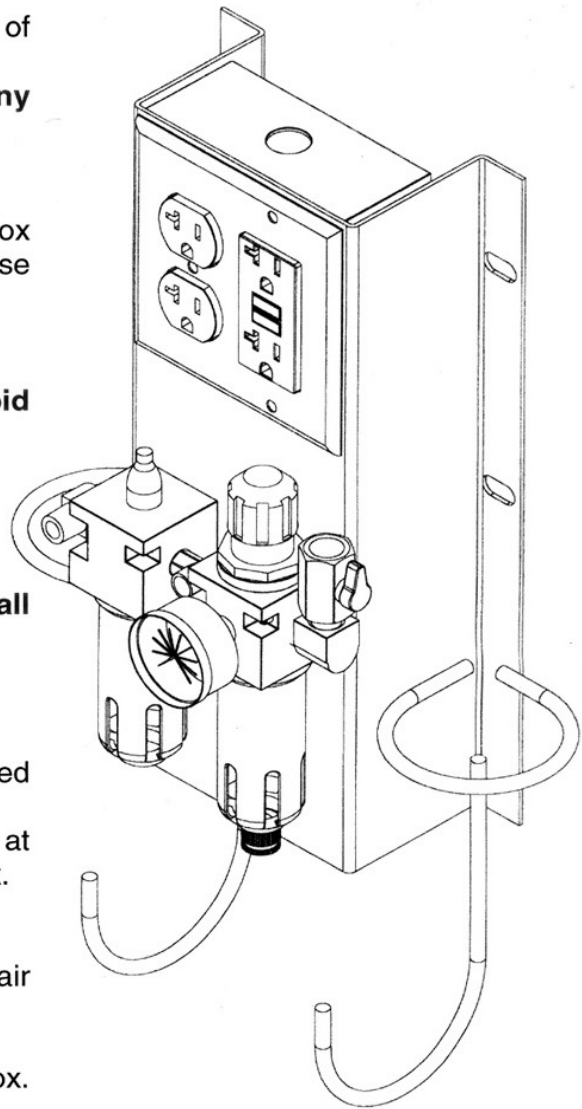
Connect electrical wiring to single phase, 60Hz 115 volt electrical supply using suitable conduit (not supplied). The duplex receptacle must be connected through the GFCI with the input line to the box connected to a circuit breaker or time delay fuse rated at 20 amps. Both receptacles must be grounded to the box.

Connect main air supply to 1/4" ball valve inlet on the Utility Station (Run 1/2" line from compressor or main air system to Utility Station.)

Install Quick Couplers to the 1/4" male fittings on the box. The air supply between the filter and the lubricator will be non-lubricated, used for tire inflation or blowing off. The air outlet on the left side will be lubricated for air tool use.

### Regulator Instructions

- Regulate pressure by raising the knob, then turning clockwise to increase and counterclockwise to decrease. Push knob down to lock setting.
- Adjust the oil mist using the screwdriver slot located on top of the lubricator.
- To fill the lubricator, first depressurize the air system, remove the slotted screw plug in the body. Replace the screw before repressurizing.



Adapter Plate Required for HD 9,12,14

## STEP 19

( Operation )

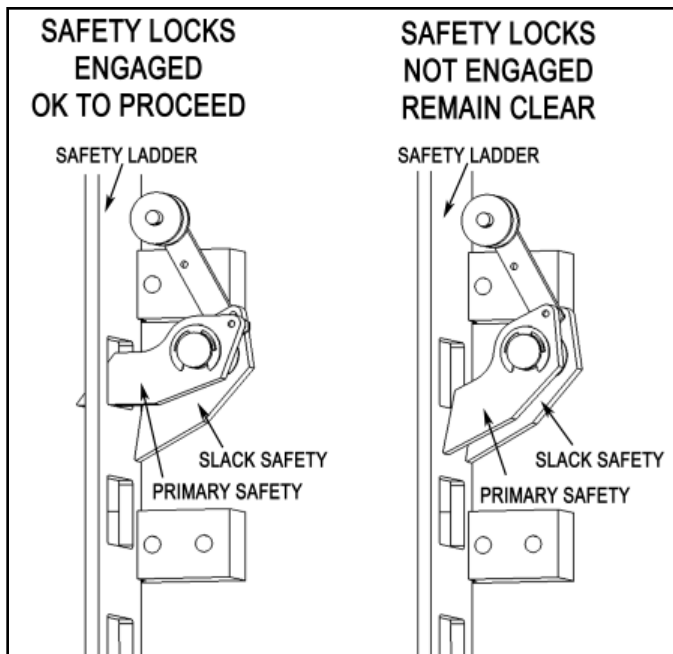
### To Raise Lift;

1. Position vehicle tires in the center of each runway.
2. Set parking brake or use wheel chock to hold vehicle in position.
3. Before raising vehicle, be sure all personnel are clear of the lift and surrounding area. Pay careful attention to overhead clearances.
4. Raise the lift to the desired height by pressing the push button on the power unit.



### **VISUALLY CONFIRM THAT ALL PRIMARY SAFETY LOCKS ARE ENGAGED BEFORE ENTERING WORK AREA.**

Suspension components on this lift are intended to raise and lower lift only and are not meant to be load holding devices. Remain clear of elevated lift unless visual confirmation is made that all primary safety locks are fully engaged and the lift is LOWERED onto the safety locks, Refer to installation /operation manual for proper safety lock procedures and /or further instruction.



5. After vehicle is raised to the desired height, **lower the lift onto the nearest safety lock.** Do not allow cables to become slack. **ALWAYS INSURE ALL SAFETY LOCKS ARE ENGAGED** before entering work area.

### To Lower Lift;

1. Before lowering vehicle, be sure all personnel are clear of the lift and surrounding area. Pay careful attention to overhead clearances. Insure all tools and equipment have been cleared from under the lift.
2. Raise the lift off of the safety locks by pressing the push button on the power unit. Make sure you raise the lift by at least two inches to allow adequate clearance for the locks to clear.
3. Press the push button air safety valve and HOLD.
4. Push the LOWERING HANDLE on the power unit until the lift has descended completely.

When lowering the lift PAY CAREFUL ATTENTION that all personnel and objects are kept clear. ALWAYS keep a visual line of site on the lift AT ALL TIMES. ALWAYS make sure that all FOUR LOCKS are disengaged. If one of the locks inadvertently locks on descent the lift and/or vehicle may disrupt causing personal injury or death.

## WEEKLY MAINTENANCE

1. Lubricate all rollers with general purpose oil or WD-40.
2. Check all cable connections, bolts and pins to insure proper mounting.
3. Lubricate safety lock pivot points with general purpose oil or WD-40.

## MONTHLY MAINTENANCE

1. Check safety locks to insure they are in good operating condition.
2. Check all cables for excessive signs of wear.
3. Make a visual inspection of ALL MOVING PARTS and check for excessive signs of wear.
4. Replace ALL FAULTY PARTS before lift is put back into operation.



- ◆ NEVER EXCEED THE RATED CAPACITY of lift.
- ◆ DO NOT USE LIFT if any component is found to be defective or worn.
- ◆ NEVER OPERATE LIFT with any person or equipment below.
- ◆ ALWAYS STAND CLEAR of lift when lowering or raising.
- ◆ ALWAYS INSURE SAFETY LOCKS ARE ENGAGED before entering work area.
- ◆ NEVER LEAVE LIFT IN ELEVATED CONDITION unless all four safety locks are engaged.

# ⚠ WARNING

## WIRE ROPE INSPECTION AND MAINTENANCE

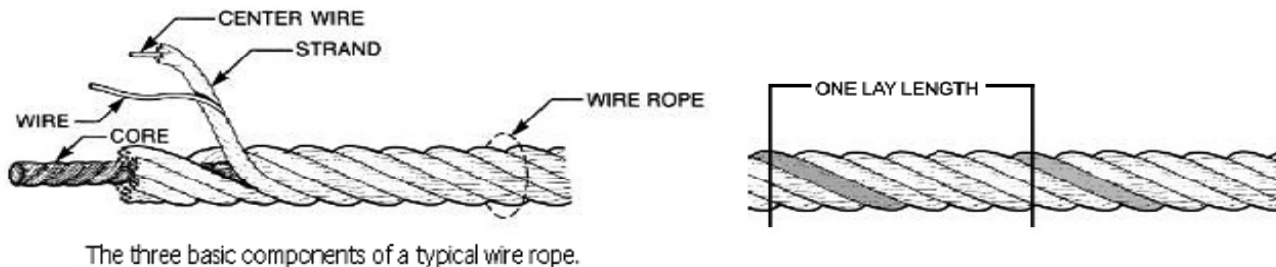
- ◆ Lifting cables should be replaced every three - five years or when visible signs of damage are apparent. **DO NOT USE LIFT WITH DEFECTIVE / WORN CABLES.**
- ◆ Lifting cables should be maintained in a well-lubricated condition at all times. Wire rope is only fully protected when each wire strand is lubricated both internal and external. Excessive wear will shorten the life of the wire rope. The factory suggested wire rope lubricant that penetrates to the core of the rope and provides long-term lubrication between each individual strand is 90-WT gear oil or ALMASOL® Wire Rope Lubricant. In order to make sure that the inner layers of the rope remain well lubricated, lubrication should be carried out at intervals not exceeding three months during operation.
- ◆ All sheaves and guide rollers in contact with the moving rope should be given regular visual checks for surface wear and lubricated to make sure that they run freely. This operation should be carried out at appropriate intervals generally not exceeding three months during operation. For all sheave axles, the factory recommends standard wheel bearing grease. For all sheaves and/or guide rollers, the factory recommends 90-WT gear oil or similar heavy lubricant applied by any method including pump / spray dispensing, brush, hand and/or swabbing.

### HOW OFTEN TO INSPECT

- ◆ Lifting cables should be visually inspected at least once each day when in use, as suggested by American Petroleum Institute (API) RP54 guidelines.
- ◆ Any lifting cables that have met the criteria for removal must be immediately replaced.

### WHEN TO REPLACE LIFTING CABLES DUE TO BROKEN WIRES

- ◆ Lifting cables should be removed from service when you see six randomly distributed broken wires within any one lay length, or three broken wires in one strand within one lay length.



### OTHER REASONS TO REPLACE LIFTING CABLES

- ◆ Corrosion that pits the wires and/or connectors.
- ◆ Evidence of kinking, crushing, cutting, bird-caging or a popped core.
- ◆ Wear that exceeds 10% of a wire's original diameter.
- ◆ Evidence of heat damage.

### HOW TO FIND BROKEN WIRES

- ◆ The first step is to relax your rope to a stationary position and move the pick-up points off the sheaves. Clean the surface of the rope with a cloth — a wire brush, if necessary — so you can see any breaks.
- ◆ Flex the rope to expose any broken wires hidden in the valleys between the strands.
- ◆ Visually check for any broken wires. One way to check for crown breaks is to run a cloth along the rope to check for possible snags.
- ◆ With an awl, probe between wires and strands and lift any wires that appear loose. Evidence of internal broken wires may require a more extensive rope examination.

# ! WARNING

## WIRE ROPE INSPECTION AND MAINTENANCE

- Lifting cables should be replaced every three years or when visible signs of damage are apparent. **DO NOT USE LIFT WITH DEFECTIVE: WORN CABLES.**
- Wire rope should be maintained in a well-lubricated condition at all times. Wire rope is only fully protected when each wire strand is lubricated both internally and externally. Excessive wear will shorten the life of the wire rope. The factory suggested wire rope lubricant that penetrates to the core of the rope and provides long term lubrication between each individual strand is **AMSOIL Synthetic Open Gear and Wire Rope Compound** or **90WT** gear oil or similar heavy lubricant. In order to make sure that the inner layers of the rope remains well lubricated, lubrication should be carried out at intervals not exceeding three months during operation.
- All sheaves and guide rollers in contact with the moving rope should be given regular visual checks for surface wear and lubricated to make sure that they run freely. This operation should be carried out at appropriate intervals generally not exceeding three months during operation. For all sheave axles, the factory recommends standard wheel bearing grease. For all sheaves and /or guide rollers, the factory recommends **90 WT** gear oil or similar heavy lubricant applied by any method including pump / spray dispensing, brush, hand and /or swabbing.

Failure to read, understand, and follow these instructions may cause death or serious injury.  
Read and understand these instructions before using lift.

# ! DANGER

## THE MAXIMUM LIFTING CAPACITY FOR THIS LIFT IS DESCRIBED BELOW

Maximum Lifting Capacity  
14,000 Lbs / 6,350 Kg.

Maximum Lifting Capacity  
Two Axle Vehicle / Front Axle  
7,000 Lbs / 3,175 Kg.

Maximum Lifting Capacity  
Two Axle Vehicle / Rear Axle  
7,000 Lbs / 3,175 Kg.

**Exceeding the weight capacity of this lift can damage lift and/or property and may cause personal harm, injury or death to operators and/or bystanders. All vehicles MUST be positioned on lift with CENTER OF GRAVITY midway between adapters and/or centered on runways. Damage to lift due to overloading or misuse IS NOT covered under warranty.**

**⚠ WARNING**

Clear area if vehicle is in danger of falling.

©

**⚠ WARNING**

Remain clear of lift when raising or lowering vehicle.

©

**⚠ WARNING**

Keep clear of pinch points when lift is moving.

©

**⚠ WARNING**

Keep feet clear of lift while lowering.

©

**⚠ WARNING**

Do not override self-closing lift controls.

©

**⚠ WARNING**

Chock wheel to prevent vehicle movement.

©

The messages and pictographs shown are generic in nature and are meant to generally represent hazards common to all automotive lifts regardless of specific style

Funding for the development and validation of these labels was provided by the Automotive Lift Institute, PO Box 33116 Indialantic, FL 32903.

They are protected by copyright. Set of labels may be obtained from ALI or its member companies

© 1992 by ALI, Inc. ALI/WL200w

**SAFETY INSTRUCTIONS**

Read operating and safety manuals before using lift.

©

**SAFETY INSTRUCTIONS**

Proper maintenance and inspection is necessary for safe operation.

©

**SAFETY INSTRUCTIONS**

Do not operate a damaged lift.

©

The messages and pictographs shown are generic in nature and are meant to generally represent hazards common to all automotive lifts regardless of specific style.

Funding for the development and validation of these labels was provided by the Automotive Lift Institute, PO Box 33116 Indialantic, FL 32903.

They are protected by copyright. Set of labels may be obtained from ALI or its member companies.

© 1992 by ALI, Inc. ALI/WL200s

**⚠ CAUTION**

Lift to be used by trained operator ONLY.

©

**⚠ CAUTION**

Authorized personnel only in lift area.

©

The messages and pictographs shown are generic in nature and are meant to generally represent hazards common to all automotive lifts regardless of specific style

Funding for the development and validation of these labels was provided by the Automotive Lift Institute, PO Box 33116 Indialantic, FL 32903.

They are protected by copyright. Set of labels may be obtained from ALI or its member companies

© 1992 by ALI, Inc. ALI/WL200c

## Safe Lift Operation

Automotive and truck lifts are critical to the operation and profitability of your business. The safe use of this and other lifts in your shop is critical in preventing employee injuries and damage to customer's vehicles. By operating lifts safely you can insure that your shop is profitable, productive and safe.

Safe operation of automotive lifts requires that only trained employees should be allowed to use the lift.

### ***TRAINING SHOULD INCLUDE, BUT NOT LIMITED TO:***

- ◆ Proper positioning of the vehicle on the runway. (See manufacturers minimize wheel base loading requirements.)
- ◆ Use of the operating controls.
- ◆ Understanding the lift capacity.
- ◆ Proper use of jack stands or other load supporting devices.
- ◆ Proper use, understanding and visual identification of safety lock devices and their operation.
- ◆ Reviewing the safety rules.
- ◆ Proper housekeeping procedures (lift area should be free of grease, oil, tools, equipment, trash, and other debris)
- ◆ A daily inspection of the lift should be completed prior to its use. Safety devices, operating controls, lift arms and other critical parts should be inspected prior to using the lift.
- ◆ All maintenance and repairs of the lift should be completed by following the manufacturer's requirements. Lift repair parts should meet or exceed OEM specifications. Repairs should only be completed by a qualified lift technician.
- ◆ The vehicle manufacturer's recommendations should be used for spotting and lifting the vehicle.

### ***LIFT OPERATION SAFETY***

- ◆ It is important that you know the load limit. Be careful that you do not overload the lift . If you are unsure what the load limit is, check the data plate found on one of the lift columns or contact the manufacturer.
- ◆ The center of gravity should be followed closely to what the manufacturer recommends.
- ◆ Always make sure you have proper overhead clearance. Additionally, check that attachments, ( vehicle signs, campers antennas, etc.) are not in the way.
- ◆ Be sure that prior to the vehicle being raised, the doors, trunk, and hood are closed securely
- ◆ Prior to being raised, make sure there is no one standing closer than six feet from the lift
- ◆ After positioning the vehicle on the lift runways, set the emergency brake, make sure the ignition is off, the doors are closed, overhead obstructions are cleared, and the transmission is in neutral.
- ◆ Double check that the automatic chock devices are in position and then when the lift is raised, observe the chocks
- ◆ Put pads or adapters in the right position under the contact points that have been recommended
- ◆ The lift should be raised just until the vehicle's wheels are about one foot off the ground. If contact with the vehicle is uneven or it appears that the vehicle is not sitting secure, carefully lower the lift and readjust.
- ◆ Always consider potential problems that might cause a vehicle to slip, i.e., heavy cargo, undercoating, etc.
- ◆ Pay attention when walking under a vehicle that is up on the hydraulic lift.





- ◆ **DO NOT** leave the controls while the lift is still in motion.
- ◆ **DO NOT** stand directly in front of the vehicle or in the bay when vehicle is being loaded or driven into position.
- ◆ **DO NOT** Go near vehicle or attempt to work on the vehicle when being raised or lowered.
- ◆ **REMAIN CLEAR** of lift when raising or lowering vehicle.
- ◆ **DO NOT** rock the vehicle while on the lift or remove any heavy component from vehicle that may cause excessive weight shift.
- ◆ **DO NOT** lower the vehicle until people, materials, and tools are clear
- ◆ **ALWAYS INSURE** that the safeties are engaged and lowered on to the safety ladders before any attempt is made to work on or near vehicle.
- ◆ Some vehicle maintenance and repair activities may cause the vehicle to shift. Follow the manufacturer's guidelines when performing these operations. The use of jack stands or alternate lift points may be required when completing some repairs.
- ◆ **READ AND UNDERSTAND** all safety warning procedures before operating lift.
- ◆ **KEEP HANDS AND FEET CLEAR.** Remove hands and feet from any moving parts. Keep feet clear of lift when lowering. Avoid pinch points.
- ◆ **ONLY TRAINED OPERATORS** should operate this lift. All non-trained personnel should be kept away from work area. Never let non-trained personnel come in contact with, or operate lift.
- ◆ **USE LIFT CORRECTLY.** Use lift in the proper manner. Never use lifting adapters other than what is approved by the manufacturer.
- ◆ **DO NOT** override self-closing lift controls.
- ◆ **CLEAR AREA** if vehicle is on danger of falling.
- ◆ **STAY ALERT.** Watch what you are doing. Use common sense. Be aware.
- ◆ **CHECK FOR DAMAGED PARTS.** Check for alignment of moving parts, breakage of parts or any condition that may affect its operation. Do not use lift if any component is broken or damaged.
- ◆ **NEVER** remove safety related components from the lift. Do not use lift if safety related components are damaged or missing.
- ◆ When the lift is being lowered, make sure everyone is standing at least six feet away.
- ◆ Be sure there are no jacks, tools, equipment, left under the lift before lowering.
- ◆ Always lower the vehicle down slowly and smoothly.

# LIFT WILL NOT RAISE

## **POSSIBLE CAUSE**

1. Air in oil, (1,2,8,13)
2. Cylinder binding, (9)
3. Cylinder leaks internally, (9)
4. Motor run backward under pressure, (11)
5. Lowering valve leaks, (3,4,6,10,11)
6. Motor runs backwards, (7,14,11)
7. Pump damaged, (10,11)
8. Pump won't prime, (1,8,13,14,3,12,10,11)
9. Relief valve leaks, (10,11)
10. Voltage to motor incorrect, (7,14,11)

## **REMEDY**

1. Check for proper oil level. . . . .
2. Bleed cylinders. . . . .
3. Flush- Release valve to get rid of. . . . .  
possible contamination
4. Dirty oil. . . . .
5. Tighten all fasteners. . . . .
6. Check for free movement of release. . . . .
7. Check motor is wired correctly. . . . .
8. Oil seal damaged or cocked . . . . .
9. See Installation Manual . . . . .
10. Replace with new part . . . . .
11. Return unit for repair . . . . .
12. Check pump-mounting bolts . . . . .
13. Inlet screen clogged . . . . .
14. Check wall outlet voltages and wiring . . . . .

## **INSTRUCTION**

- The oil level should be up to the bleed screw in the reservoir with the lift all the way down.
- See Installation Manual
- Hold release handle down and start unit allowing it to run for 15 seconds.
- Replace oil with clean Dexron ATF.
- Tighten fasteners to recommended torques.
- If handle does not move freely, replace bracket or handle assembly.
- Compare wiring of motor to electrical diagram on drawing.
- Replace oil seal around pump shaft.
- Consult Lift Manufacturer.
- Replace with new part.
- Return unit for repair.
- Bolts should be 15 to 18 ft. lbs.
- Clean inlet screen or replace.
- Make sure unit and wall outlet are wired properly.

## MOTOR WILL NOT RUN

### **POSSIBLE CAUSE**

1. Fuse blown, (5,2,1,3,4)
2. Limit switch burned out, (1,2,3,4)
3. Microswitch burned out, (1,2,3,4)
4. Motor burned out, (1,2,3,4,6)
5. Voltage to motor incorrect, (2,1,8)

### **REMEDY**

1. Check for correct voltage . . . . .
2. Check motor is wired correctly . . . . .
3. Don't use extension cords . . . . .
4. Replace with new part . . . . .
5. Reset circuit breaker/fuse . . . . .
6. Return unit for repair . . . . .
7. See Installation Manual . . . . .
8. Check wall outlet voltage and wiring . . . . .

### **INSTRUCTION**

- Compare supply voltage with voltage on motor nametag. Check that the wire is sized correctly. N.E.C. table 310-12 requires AWG 10 for 25 Amps.
- Compare wiring of motor to electrical diagram on drawing.
- According to N.E.C. : " The size of the conductors... should be such that the voltage drop would not exceed 3% to the farthest outlet for power..." Do not run motor at 115 VAC – damage to the motor will occur.
- Replace with new part.
- Reset circuit breaker/fuse.
- Return unit for repair.
- See Installation Manual.
- Make sure unit and wall outlet is wired properly. Motor must run at 208/230 VAC.

## LIFT LOWERS SLOWLY OR NOT AT ALL

### **POSSIBLE CAUSE**

1. Cylinders binding, (1)
2. Release valve clogged, (5,4,2,3)
3. Pressure fitting too long, (6)

### **REMEDY**

1. See Installation Manual . . . . .
2. Replace with new part . . . . .
3. Return for repair . . . . .
4. Check oil. . . . .
5. Clean release valve . . . . .
6. Replace fitting with short thread lead . . . . .

### **INSTRUCTION**

- Consult Lift Manufacturer.
- Replace with new part.
- Return for repair.
- Use clean 10-WT hydraulic oil or Dexron-III automatic transmission fluid only. If ATF is contaminated, replace with clean ATF and clean entire system.
- Wash release valve in solvent and blow out with air.
- Replace fitting with short thread lead.

# WILL NOT RAISE LOADED LIFT

## **POSSIBLE CAUSE**

1. Air in oil, (1,2,3,4)
2. Cylinder binding, (5)
3. Cylinder leaks internally, (5)
4. Lift overloaded, (6,5)
5. Lowering valve leaks, (7,8,1,5,9)
6. Motor runs backwards, (10,12,9)
7. Pump damaged, (5,9)
8. Pump won't prime, (1,2,3,4,5,11,9)
9. Relief valve leaks, (8,5,9)
10. Voltage to motor incorrect, (10,12,5)

## **REMEDY**

- |  |  |
|--|--|
| 1. Check oil level . . . . .                       | The oil level should be up to the bleed screw in the reservoir [with the lift all the way down.] |
| 2. Check/Tighten inlet tubes . . . . .             | Replace inlet hose assembly.   |
| 3. Oil seal damaged or cocked . . . . .            | Replace oil seal and install.  |
| 4. Bleed cylinders . . . . .                       | See Installation Manual.   |
| 5. See Installation Manual . . . . .               | Consult Lift Manufacturer.   |
| 6. Check vehicle weight . . . . .                  | Compare weight of vehicle to weight limit of the lift.   |
| 7. Flush release valve . . . . .                   | Hold release handle down and start unit allowing it to run for 15 seconds.                       |
| 8. Replace with new part . . . . .                 | Replace with new part.   |
| 9. Return unit for repair . . . . .                | Return unit for repair.  |
| 10. Check motor is wired correctly . . . . .       | Compare wiring of motor to electrical diagram on power unit drawing.                             |
| 11. Inlet screen clogged . . . . .                 | Clean inlet screen or replace.   |
| 12. Check wall outlet voltage and wiring . . . . . | Make sure unit and wall outlet is wired properly.  |

## **INSTRUCTION**

# LIFT WILL NOT STAY UP

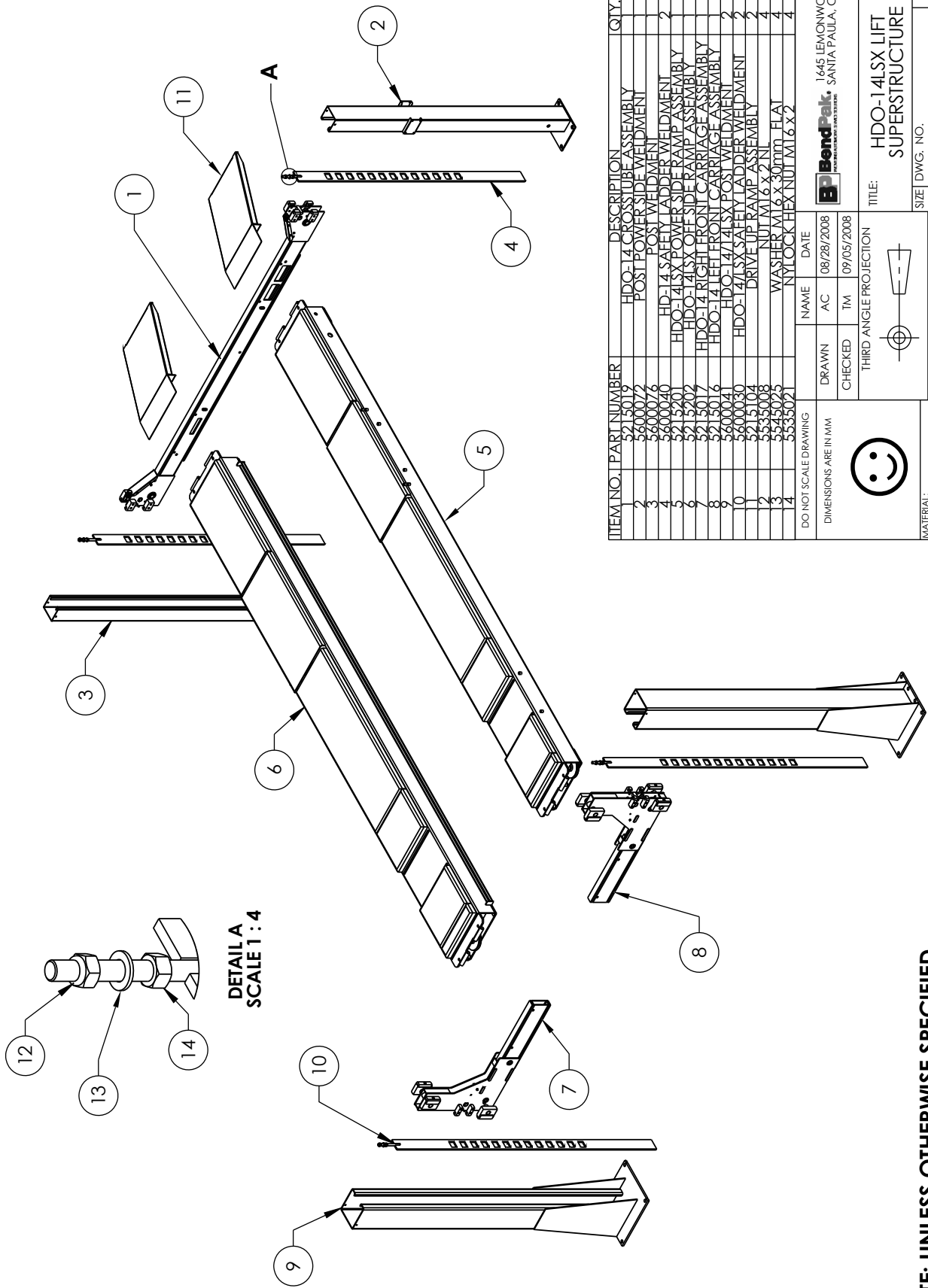
## **POSSIBLE CAUSE**

1. Air in oil, (1,2,3)
2. Check valve leaks, (6)
3. Cylinders leak internally, (7)
4. Lowering valve leaks, (4,5,1,7,6)
5. Leaking fittings, (8)

## **REMEDY**

1. Check oil level . . . . . The oil level should be up to the bleed screw in the reservoir with the lift all the way down.
2. Oil seal damaged and cocked . . . . . Replace oil seal around pump shaft.
3. Bleed cylinder . . . . . Refer to Installation Manual.
4. Flush release valve . . . . . Hold release handle down and start unit allowing it to run for 15 seconds.
5. Replace with new valve . . . . . Replace with new valve.
6. Return unit for repair . . . . . Return unit for repair.
7. See Installation Manual . . . . . Consult Lift Manufacturer.
8. Check complete hydraulic system for leaks. . . . . Tighten all hydraulics fittings and inspect all hoses.

## **INSTRUCTION**



DETAIL A  
SCALE 1:4

ITEM NO.	PART NUMBER	DESCRIPTION	QTY.	REV
1	5215019	HDO-14 CROSS-TUBE ASSEMBLY	1	A
2	5200072	POST POWER-SIDE WELDMENT	1	C
3	5200072	POST WELDMENT	1	B
4	5200046	HDO-14 SAFETY LADDER WELDMENT	2	D
5	5215020	HDO-14 IS OFF-SIDE RAMP ASSEMBLY	1	A
6	5215022	HDO-14 IS ON-SIDE RAMP ASSEMBLY	1	A
7	5215016	HDO-14 LEFT-KON CARTRIDGE ASSEMBLY	1	A
8	5200041	HDO-14/14LSX POST WELDMENT	2	A
9	5200030	HDO-14/14LSX POST WELDMENT	2	A
10	5215104	DRIVE UP RAMP ASSEMBLY	2	D
11	5215104	DRIVE UP RAMP ASSEMBLY	2	D
12	5215104	DRIVE UP RAMP ASSEMBLY	2	D
13	5215104	DRIVE UP RAMP ASSEMBLY	2	D
14	5215104	DRIVE UP RAMP ASSEMBLY	2	D
		WASHER M16 X 30mm FLAT	4	-
		NUT M16 X 2	4	-
		NYLOCK HEX NUT M16 X 2	4	-

DO NOT SCALE DRAWING

DIMENSIONS ARE IN MM

MATERIAL: ---

SIZE: ---

NAME: AC

DATE: 08/28/2008

CHECKED: TM

DATE: 09/05/2008

THIRD ANGLE PROJECTION

PROPRIETARY AND CONFIDENTIAL  
THE INFORMATION CONTAINED IN THIS DRAWING IS THE PROPERTY OF BENDPAK INC. NO REPRODUCTION IN PART OR AS A WHOLE WITHOUT PERMISSION OF BENDPAK INC. IS PERMITTED.

1645 LEMONWOOD DR.  
SANTA PAULA, CA 93060

**BendPak**  
PERFORMANCE AND VERSATILITY

TITLE: HDO-14LSX LIFT SUPERSTRUCTURE

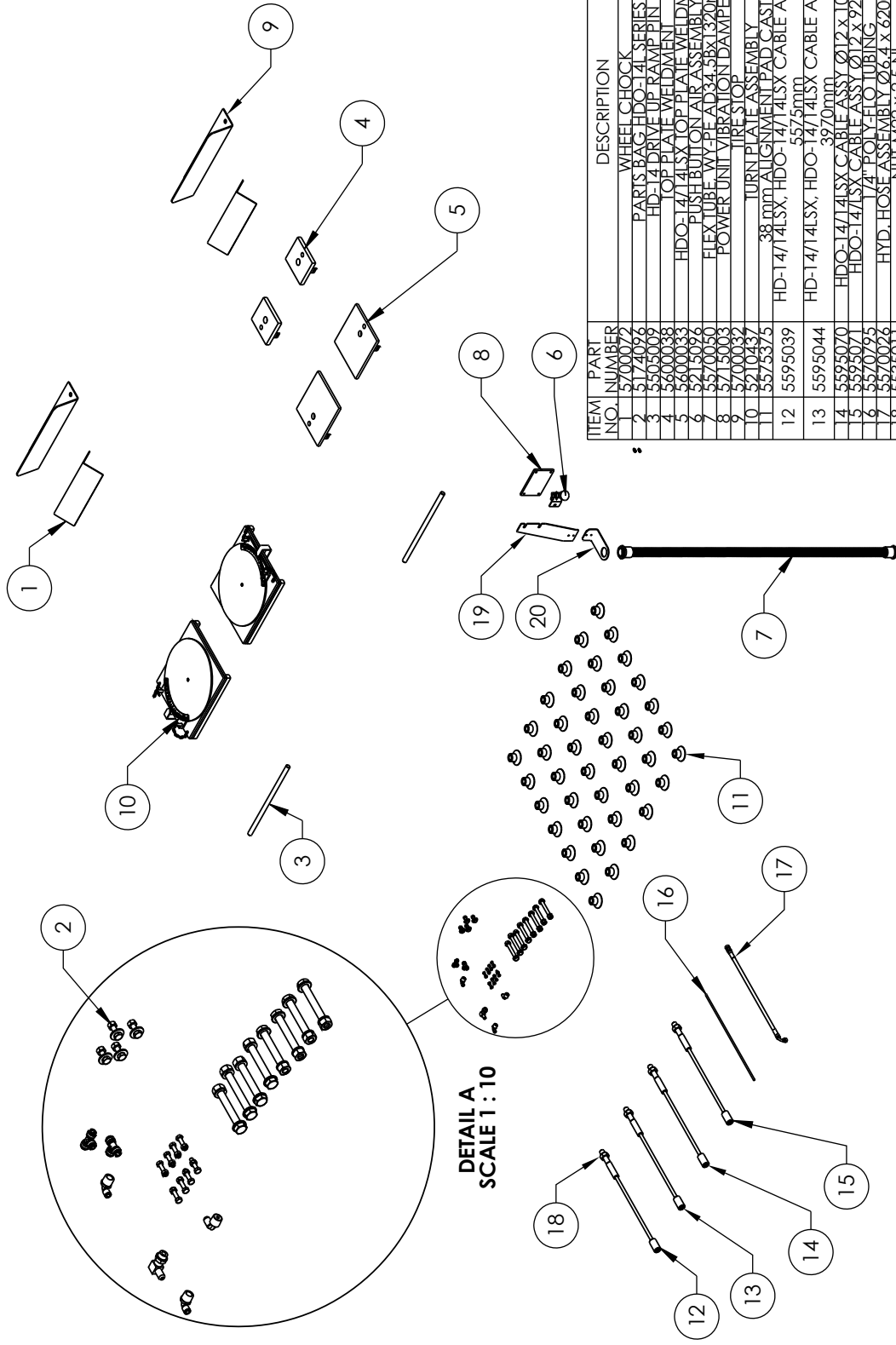
SIZE DWG. NO. A 5245021

REV A

SCALE: 1:40

SHEET 1 OF 1

**NOTE: UNLESS OTHERWISE SPECIFIED, SEE SHIPPING INSTRUCTIONS FOR FINAL PACKAGING ASSEMBLY ITEMS AS SHOWN**



DETAIL A  
SCALE 1:10

ITEM NO.	PART NUMBER	DESCRIPTION	QTY.	REV
1	5700072	WHEEL CHOCK	2	A
2	5740976	PARTS BAG HDO-14LSX SERIES	1	A
3	5705009	HD-14 DRIVE UP RAMP PIN	2	A
4	5600038	TOP PLATE WELDMENT	2	B
5	5600033	HDO-14/14LSX TOP PLATE WELDMENT	2	A
6	52150976	PUSH BUTTON AIR ASSEMBLY	1	B
7	5570050	FLEX TUBE W/PEAD34, 58X1320MM	1	A
8	57150032	TIRE STOP	2	B
9	5700032	TURN PLATE ASSEMBLY	2	A
10	5210437	38mm ALIGNMENT PAD CASTER	40	A
11	5575375	HD-14/14LSX, HDO-14/14LSX CABLE ASSY Ø12 x 5575mm	1	D
12	5595039	HD-14/14LSX, HDO-14/14LSX CABLE ASSY Ø12 x 3970mm	1	D
13	5595044	HDO-14/14LSX CABLE ASSY Ø12 x 10800mm	1	A
14	5595070	HDO-14/14LSX CABLE ASSY Ø12 x 10800mm	1	A
15	5595071	HDO-14/14LSX CABLE ASSY Ø12 x 9295mm	1	A
16	5570795	1/4" POLY-HO LUBING	24000mm*	A
17	5570076	HYD. HOSE ASSEMBLY Ø26.4 x 6200mm	1	B
18	5535011	NUT M22 X 2.5 N	4	B
19	5700079	FLEX TUBE BRACKET PLATE	4	C
20	5700033	FLEX TUBE ANGLE	4	C

DO NOT SCALE DRAWING	NAME	DATE
DRAWN	AC	08/29/2008
CHECKED	TM	09/05/2008
THIRD ANGLE PROJECTION		
TITLE: PARTS BOX HDO-14LSX SIZE DWG. NO. 5250301 REV A		
SCALE: 1:25 SHEET 1 OF 1		

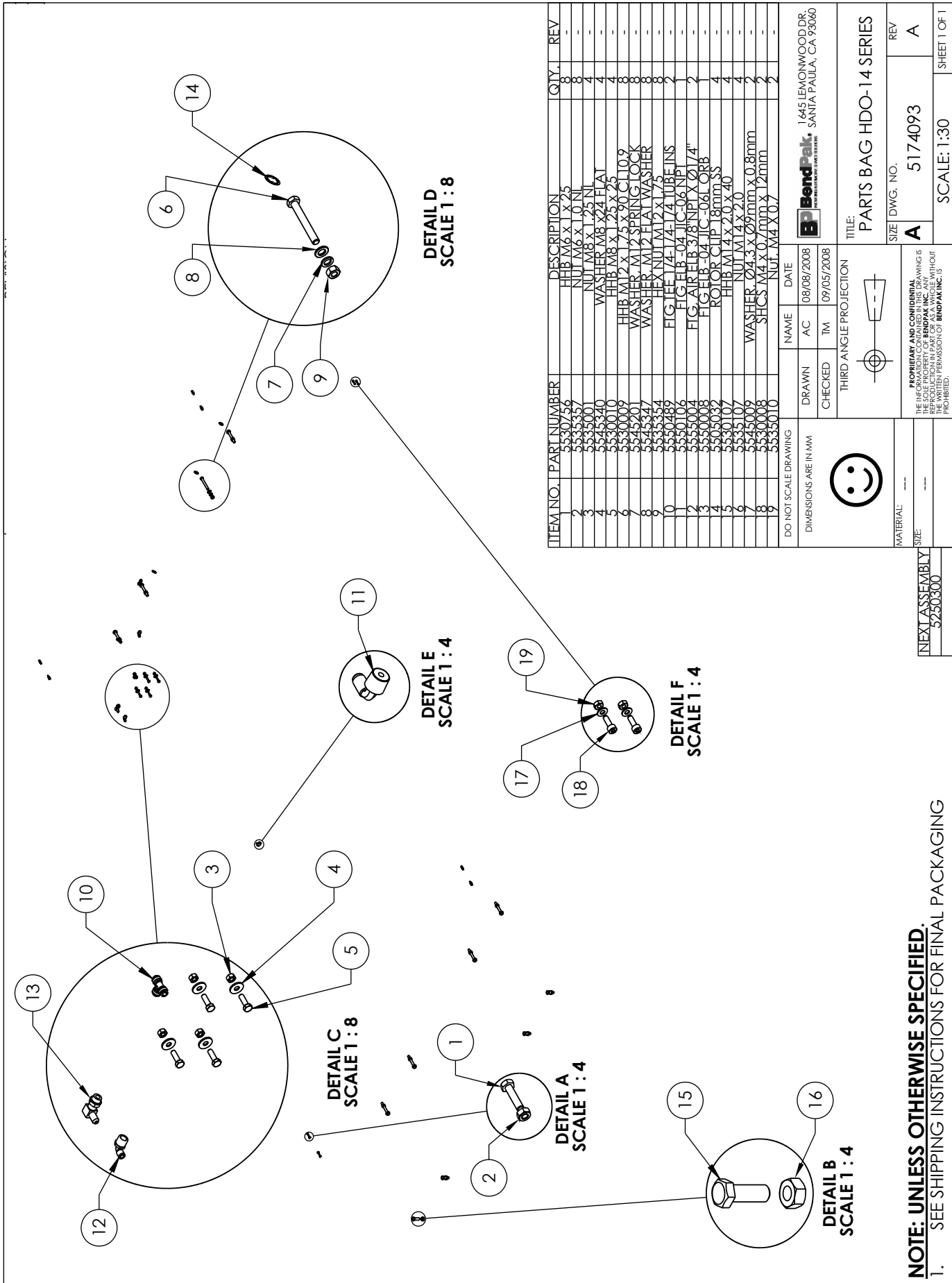


PROPRIETARY AND CONFIDENTIAL  
THE INFORMATION CONTAINED IN THIS DRAWING IS THE PROPERTY OF BENDPAK, INC. NO REPRODUCTION IN PART OR AS A WHOLE WITHOUT THE WRITTEN PERMISSION OF BENDPAK, INC. IS PERMITTED.

**NOTE: UNLESS OTHERWISE SPECIFIED,**

- SEE SHIPPING INSTRUCTIONS FOR FINAL PACKAGING
- THREAD NYLOCK NUTS ONTO CABLES PRIOR TO SHIPMENT
- HOSES AND CABLES IN REPRESENTATIONAL FORM
- (\* ) LENGTHS FOR REFERENCE ONLY

NEXT ASSEMBLY  
5260301



DETAIL D  
SCALE 1 : 8

DETAIL E  
SCALE 1 : 4

DETAIL F  
SCALE 1 : 4

DETAIL C  
SCALE 1 : 8

DETAIL A  
SCALE 1 : 4

DETAIL B  
SCALE 1 : 4

ITEM NO.	PART NUMBER	DESCRIPTION	QTY.	REV.
1	5530756	HHB M6 X 1 X 25	8	-
2	5533557	NUT M6 X 1.0 NL	8	-
3	5533001	NUT M8 X 1.25 NL	4	-
4	5545540	WASHER M8 X 24 FLAT	4	-
5	5530010	HHB M8 X 1.25 X 25	4	-
6	5530009	HHB M12 X 1.75 X 90 CL10.9	8	-
7	5545201	WASHER M12 SPRING LOCK	8	-
8	5545201	WASHER M12 FLAT WASHER	8	-
9	5533354	HEX NUT M12 X 1.75	8	-
10	5550485	FIGURE 141 141 74 TUBE INS	3	-
11	5550102	FIGURE 04 TIC 04 NIP	2	-
12	5550002	FIGURE 18 318 NIP X 01 7/4"	2	-
13	5550003	FIGURE 04 C-561 ORB	4	-
14	5550002	KOLOR CLIP 18mm SS	4	-
15	5550107	HHB M14 X 2.0 X 40	4	-
16	5553107	NUT M14 X 2.0	4	-
17	5545009	WASHER Ø24.3 X Ø29mm X 0.8mm	2	-
18	5530008	SHCS M4 X 0.7mm X 12mm	2	-
19	5535010	NUT M4 X 0.7	2	-

DO NOT SCALE DRAWING

DRAWN AC 08/08/2008

CHECKED TM 09/05/2008

NAME DATE

THIRD ANGLE PROJECTION

PROPRIETARY AND CONFIDENTIAL  
THE INFORMATION CONTAINED IN THIS DRAWING IS THE PROPERTY OF BENDPAK. ANY REPRODUCTION IN PART OR AS A WHOLE WITHOUT THE WRITTEN PERMISSION OF BENDPAK, IS PROHIBITED.

MATERIAL: ---

SIZE: ---

NEXT ASSEMBLY: 52500300

1,645 LEMONWOOD DR.  
BendPak  
SANTA PAULA, CA 93060

TITLE: PARTS BAG HDO-14 SERIES

SIZE DWG. NO. A 5174093

REV A

SCALE: 1:30

SHEET 1 OF 1

**NOTE: UNLESS OTHERWISE SPECIFIED, SEE SHIPPING INSTRUCTIONS FOR FINAL PACKAGING**



# MAINTENANCE RECORDS


## INSTALLATION FORM

Customer Name:		Date of Installation:
Company Name:		
Street Address:		
City:	State:	Zip:
Phone:	Fax:	

### Pre-Install Agreement

I, (the undersigned) acting as the owner of the business listed above assume responsibility for any permits required, either state or county mandated, related to the installation and/or operation of this equipment. I assume responsibility for the concrete floor and condition thereof, now or later, where the above equipment model(s) are installed. I will assume all liability for losses, damages (including loss of use), expenses, demands, claims, and judgments in connection with or arising out of any personal injury or alleged damage to property, sustained or alleged to have been sustained in connection with, or to have arisen out of the condition and/or drilling of the concrete near or adjacent to the equipment model(s) listed above. If my employee(s) offer assistance of any kind during installation of the above equipment model(s) I hold the manufacturer and installation company harmless of all liability for losses, damages, expenses, claims, and judgments in connection with or arising out of any personal injury or alleged damage to property, sustained or alleged to have been sustained in connection with the installation of the above equipment model(s).

I understand that the lifts above are supplied with concrete fasteners meeting the criteria of the American National Standard "Automotive Lifts - Safety Requirements for Construction, Testing, and Validation" ANSI/ALI ALCTV-1998, and that I will be responsible for all charges related to any special regional structural and/or seismic anchoring requirements specified by any other agencies and/or codes such as the Uniform Building Code (UBC) and/or International Building Code (IBC).

Customer Signature: \_\_\_\_\_ Print Name: \_\_\_\_\_ Date: \_\_\_\_\_

### Post-Installation Check-Off

- |  |  |
|--|--|
| <input type="checkbox"/> Base and Columns Properly Shimmed And Stable<br><input type="checkbox"/> Anchor Bolts Tightened<br><input type="checkbox"/> Runways Properly Attached and Secured<br><input type="checkbox"/> Electric Power Supply Confirmed<br><input type="checkbox"/> Cables / Chains Adjusted Properly<br><input type="checkbox"/> Safety Locks Functioning Properly<br><input type="checkbox"/> Check For Hydraulic Leaks<br><input type="checkbox"/> Oil Level | <input type="checkbox"/> Lubrication of Critical Components<br><input type="checkbox"/> Lift Adapters<br><input type="checkbox"/> Check For Overhead Obstructions<br><input type="checkbox"/> Runways Level<br><input type="checkbox"/> All Screws, Bolts, and Pins Secured<br><input type="checkbox"/> Surrounding Area and Lift Clean In Appearance<br><input type="checkbox"/> Proper Operation, Maintenance and Safety Explained<br><input type="checkbox"/> Operation and Safety Manual(s) Left at Site |
|--|--|

I, (the undersigned) confirm that the above installation procedure(s) were completed. I understand that I will be responsible for maintaining this equipment as outlined in the accompanied **Installation and Operation Manual** and **ANSI/ALI ALOIM Safety Requirements for Operation, Inspection and Maintenance**. I understand that personal injury and/or damage to property can occur if the above equipment model(s) are not maintained or used improperly and take full responsibility for training my employees on proper use and maintenance of this equipment. I hold the manufacturer and installation company harmless of all liability for losses, damages (including loss of use), expenses, demands, claims, and judgments in connection with or related to improper use, improper training, or lack of required maintenance. I understand that the warranty does not cover replacement of parts worn or damaged due to normal use or lack of required maintenance

Customer Signature: \_\_\_\_\_ Print Name: \_\_\_\_\_ Date: \_\_\_\_\_

Installer Signature: \_\_\_\_\_ Print Name: \_\_\_\_\_ Date: \_\_\_\_\_

Installer Company Name: \_\_\_\_\_

Street Address: \_\_\_\_\_

City: \_\_\_\_\_ State: \_\_\_\_\_ Zip: \_\_\_\_\_

Phone: \_\_\_\_\_ Phone ( Other ): \_\_\_\_\_

## OPTIONAL EQUIPMENT



**Brand: BendPak**

**Model: RJ-7**

**Description: Four-Post Bridge Jack**

These four-post bridge jacks are the perfect accessory that adapt to BendPak four-post lifts. The bridge jacks are used to raise the front or rear portion of a vehicle off the runways allowing operators to perform efficient wheel and brake service. A pair of jacks allows the entire vehicle to be elevated. Each jack has telescoping arms and frame contact pads that can be extended over the runways and positioned under vehicle lifting points. Telescoping rail supports accommodate adjustable runways for different tread widths. Each jack features three safety-lock positions and stackable truck and van adapters for increased lifting height and better access to frame contact points on high ground-clearance vehicles. The jacks come equipped with a commercial grade air-hydraulic pump requiring a maximum pressure of 125 PSI and 10-20 CFM.



MODEL	RJ-7
Lifting Capacity:	7,000 lbs. / 3175 Kg.
Min. Support Arm Width	35" / 889 mm.
Max. Support Arm Width	45-1/2" / 1156 mm.
Min. Arm Reach:	42" / 1067 mm.
Max. Arm Reach:	59" / 1499 mm.

The design, material and specifications are subject to change without notice.



*The best automotive service equipment on the planet.*

**For Parts Or Service  
Contact:**

**BendPak Inc. / Ranger Products  
1645 Lemonwood Dr.  
Santa Paula, CA. 93060**

**Tel: 1-805-933-9970  
Toll Free: 1-800-253-2363  
Fax: 1-805-933-9160**

**[www.bendpak.com](http://www.bendpak.com)  
[www.rangerproducts.com](http://www.rangerproducts.com)**

